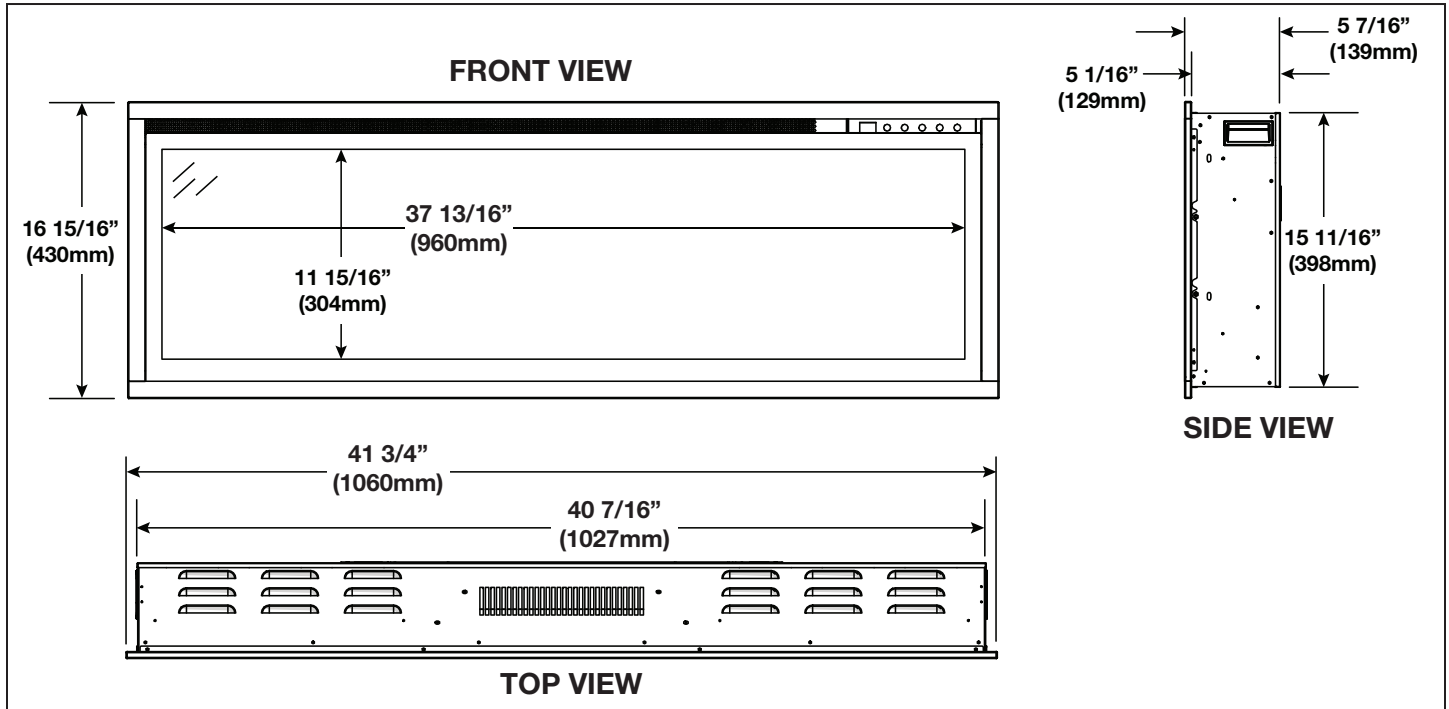


Specifications

Model	BTU	Width	Height	Depth	Viewing Area
NEFL42CFH	5,000	41 3/4"	16 15/16"	5 7/16"	11 15/16" x 37 13/16"

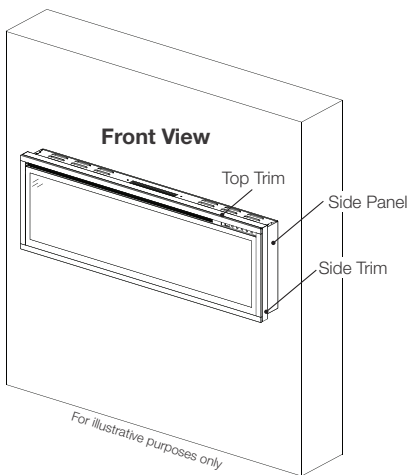
Dimensions



Installation Overview

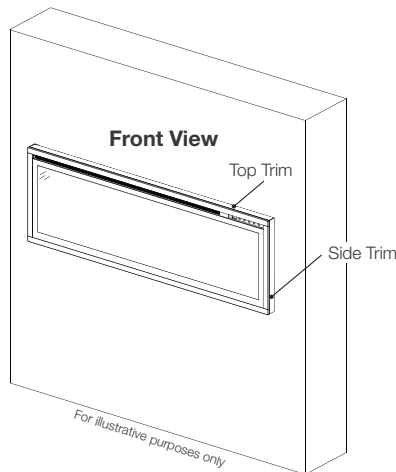
Wall-Mounted Installation

- Mounted to the wall
- Side and top trims installed
- Side panels installed



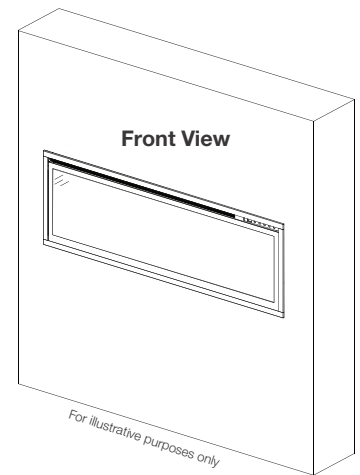
Partially-Recessed Installation

- Partially recessed into the wall
- Side and top trims installed
- Side panels **not** installed
- Wall mount bracket(s) **not** installed



Fully-Recessed Installation

- Fully recessed into the wall
- Side and top trims **not** installed
- Side panels **not** installed
- Wall mount bracket(s) **not** installed

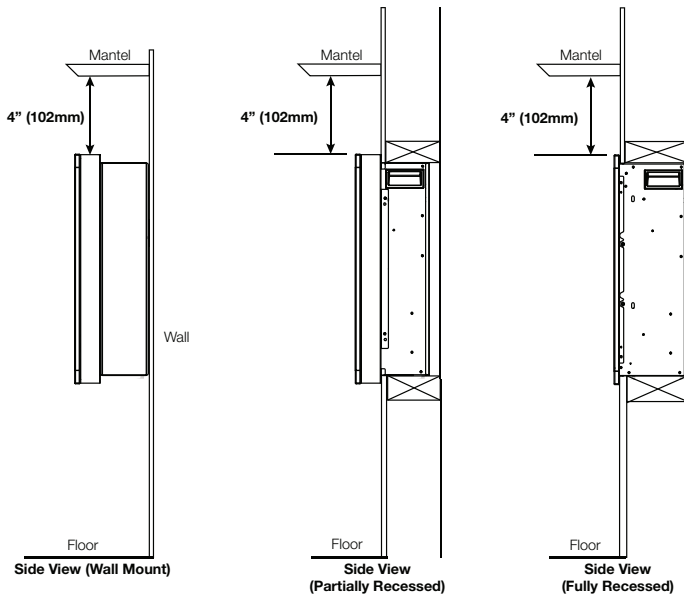


Product information provided is not complete and is subject to change without notice. Please consult the installation manual for the most up to date installation information.

Minimum Clearance to Combustibles

! WARNING

- When using paint or lacquer to finish a mantel, the paint or lacquer must be heat resistant to prevent discoloration.



Measurements are taken from trim	
Bottom	0"
Sides	0"
Back	0"
Top	4" (102mm) to ceiling
	4" (102mm) to mantel

Framing

