

CONSTRUCTION SUMMARY

Mountainview Heights 3 (G) - Russell Gardens Building Ltd.

PURCHASERS: Rajwinder SINGH and Sabrina Kaur SINGH

TEL: RES.: 905-320-0030

LOT / PHASE	REG. PLAN #	HOUSE TYPE		
344 / 4	62M-1266	Valleycreek Three Elev 3		

CABINETRY

1 - CABINETRY PROVISION - FARMERS SINK PROVISION 08Feb22 Note:	
1 - CABINETRY - KITCHEN - LIGHT VALENCE - NO ELECTRICAL 08Feb22 Note:	
1 - CABINETRY PROVISION - PROVISION FOR PLUG ON ISLAND (PLUG EXTRA ORDERED SEPARATELY) 08Feb22 Note:	
1 - CABINETRY - KITCHEN - HARDWARE UPGRADE 1 08Feb22 Note:	
1 - KITCHEN CABINETRY - TWO COLOUR KITCHEN - FLAT FEE 08Feb22 Note:	
1 - CABINETRY - KITCHEN - UPGRADE 2 08Feb22 Note:	


CABINETRY ACCESSORIES

1 - KITCHEN - SHIFT FRIDGE TO ACCOMMODATE BUILT-IN APPIANCES 08Feb22 Note:	
1 - KITCHEN HOOD CABINETS - CONTEMPORARY WOOD HOOD - UPGRADE 2 08Feb22 Note: PURCAHSE TO SUPPLY AND INSTALL HOOD FAN AFTER CLOSING	
1 - KITCHEN CABINETRY BASE - BANK OF DRAWERS - UPGRADE 2 08Feb22 Note:	
1 - KITCHEN CABINETRY UPPER - FULL DEPTH ABOVE FRIDGE - WITH GABLES - 600MM - PRICE IS EACH - UPGRADE 2 08Feb22 Note:	
1 - KITCHEN CABINETRY - BUILT-IN MICROWAVE/OVEN COMBO - UPGRADE 2 08Feb22 Note:	
1 - KITCHEN CABINETRY BASE - COOKTOP CABINET WITH POT DRAWERS (2 DRAWERS) - UPGRADE 2 08Feb22 Note:	

CERAMIC TILE

1 - DELETE ALL CERAMIC BATHROOM ACCESSORIES - DELETE TOWEL BAR, PAPER HOLDER & SOAP DISH THROUGHOUT 08Feb22 Note:	
1 - TILE - UPGRADE 1 WALL TILE - - ENSUITE WALL TILE - SHOWER 08Feb22 Note:	
1 - TILE - UPGRADE 4 MOSAIC FLOOR TILE - - ENSUITE BATHROOM - FLOOR 08Feb22 Note:	

CONSTRUCTION

1 - PROVISION FOR SHAMPOO NICHE APPROX. 14" WIDE X 20" HIGH AS PER SKETCH - IF CONSTRUCTION PERMITS - ENSUITE 4 BATHROOM 16Feb22 Note:	NEW 
--	---

CONSTRUCTION SUMMARY

Mountainview Heights 3 (G) - Russell Gardens Building Ltd.

PURCHASERS: Rajwinder SINGH and Sabrina Kaur SINGH

TEL: RES.: 905-320-0030

LOT / PHASE	REG. PLAN #	HOUSE TYPE		
344 / 4	62M-1266	Valleycreek Three Elev 3		

1 - PROVISION FOR SHAMPOO NICHE APPROX. 24" WIDE X 20" HIGH AS PER SKETCH - IF CONSTRUCTION PERMITS
08Feb22 Note:

1 - SMOOTH CEILINGS ON FIRST FLOOR ONLY - DET
06Jul21 Note:

COUNTER TOP

1 - SHAMPOO NICHE 14" WIDE X 20" HIGH AS PER SKETCH - MARBLE, GRANITE OR QUARTZ - IF CONSTRUCTION PERMITS - REQUIRES PROVISION FROM CONSTRUCTION - ENSUITE 4 BATHROOM
16Feb22 Note: SUPPLY & INSTALL

New



1 - COUNTER TOP - UPGRADE TO CAESARSTONE IN LIEU OF STANDARD AS PER OFFER - KITCHEN COUNTER TOP
08Feb22 Note:

1 - COUNTER TOP - UPGRADE - ENSUITE BATHROOM VANITY COUNTER TOP
08Feb22 Note:

1 - SHAMPOO NICHE 24" WIDE X 20" HIGH AS PER SKETCH - MARBLE, GRANITE OR QUARTZ - IF CONSTRUCTION PERMITS - REQUIRES PROVISION FROM CONSTRUCTION
08Feb22 Note: SUPPLY & INSTALL

ELECTRICAL

1 - KITCHEN - SHIFT FRIDGE TO ACCOMMODATE BUILT-IN APPLIANCES
08Feb22 Note:

1 - PLUG - ELECTRICAL PLUG - ADD TO ISLAND
08Feb22 Note:

1 - BUILT IN OVEN AND COOKTOP PROVISION - PROVISION ONLY - ELECTRICAL ONLY
08Feb22 Note:

1 - POT LIGHT - SHOWER POT LIGHT - ENSUITE 2/3 BATHROOM
08Feb22 Note:

1 - POT LIGHT - LED - FIRST FLOOR INSTALLATION - KITCHEN
08Feb22 Note:

1 - RELOCATE STANDARD KITCHEN LIGHT TO BE CENTERED OVER ISLAND
08Feb22 Note:

1 - PLUG - ELECTRICAL PLUG - TO BE INSTALLED OVER FIREPLACE
08Feb22 Note:

1 - PLUG - ELECTRICAL PLUG WITH GFI AND SWITCH - FOR FESTIVE LIGHTING
06Jul21 Note:

FIREPLACE AND ACCESSORIES

1 - GAS LINE ROUGH-IN FOR STOVE (INCLUDES ELECTRICAL OUTLET) - FIRST FLOOR
08Feb22 Note:

HARDWOOD FLOORING

1 - LAMINATE - UPGRADE TO AVENUE SERIES IN LIEU OF STANDARD LAMINATE
08Feb22 Note:

Purchasers: Rajwinder SINGH & Sabrina Kaur SINGH
Telephone Res. / Bus: (905) 320-0030 /
Decor Advisor: Candace Forza
Lock Date: 16-Feb-22

Property: 344
Project: Russell Gardens Building Ltd.
Model and Elevation: Valleycreek Three Elev 3
Plan #: 62M-1266

3. Ceramic Flooring

		At a 45 Threshold-If App.	
Entrance Vestibule	STRIP	<input type="checkbox"/>	metal strip where applicable
Main Hall	N/A	<input type="checkbox"/>	
Kitchen / Breakfast	STRIP	<input type="checkbox"/>	
Laundry Room	TILE-ESSENZE GRIGIO-13X13	<input type="checkbox"/>	
Powder Room	TILE-ESSENZE GRIGIO-13X13	<input type="checkbox"/>	
Master Ensuite Bathroom	TILE-STONE WHITE HEXIGON-12X12	<input type="checkbox"/>	
Ensuite Bath - Bedroom 2/3	TILE-ESSENZE GRIGIO-13X13	<input type="checkbox"/>	
Ensuite Bath - Bedroom 4	TILE-RAINBOW LIGHT GREY-13X13	<input type="checkbox"/>	
	N/A	<input type="checkbox"/>	
	N/A	<input type="checkbox"/>	
	N/A	<input type="checkbox"/>	

** Refer to Construction Summary

4. Ceramic Wall Tile

Master Ensuite Bathroom	Selection	Describe
Tub Deck Wall	N/A	
Tub Deck	N/A	
Tub Deck Skirt	N/A	
Shower Stall	TILE-STONE WHITE-12 1/4 X 24 1/4	NICHE-QUARTZ-VEGA
Bathtub Enclosure Walls	N/A	
Ensuite Bath - Bedroom 2/3	TILE-CONCEPT PLUS DARK GREY-8X16	
Ensuite Bath - Bedroom 4	TILE-BIANCO LUCIDO-8X16	NICHE-QUARTZ-VEGA
	N/A	
	N/A	
	N/A	
Kitchen Backsplash	N/A	

** Refer to Construction Summary - STANDARD GROUT THROUGHOUT UNLESS SPECIFIED

5. Plumbing Fixtures

All Bathrooms	White	Whirlpool <input type="checkbox"/> N/A <input type="radio"/> Yes <input checked="" type="radio"/> No
	<input type="text" value="N/A"/>	
	<input type="text" value="N/A"/>	
	<input type="text" value="N/A"/>	
	<input type="text" value="N/A"/>	
		Dishwasher Rough-In <input checked="" type="radio"/> Yes <input type="radio"/> No
		Waterline for Fridge <input checked="" type="radio"/> Yes <input type="radio"/> No

** Refer to Construction Summary

6. Trim Carpentry

Interior Doors	CARRARA-SMOOTH
Interior Trim	As Per Construction Specifications
Door Handles	As Per Construction Specifications
Exterior Front Door Handle	As Per Construction Specifications

** Refer to Construction Summary

Initials: _____

HOME APPLIANCES



LG COOKING

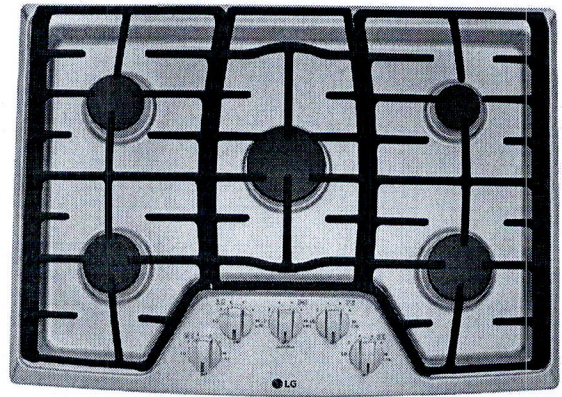
LCG3011ST / LCG3611ST
LCG3011BD / LCG3611BD
 Gas Cooktop with SuperBoil™

SuperBoil™ 17,000 BTU burner

5 cooktop burners

Heavy duty Cast iron Grates

Sealed Gas Burner



KEY FEATURES

PRODUCT FEATURES

SUMMARY	
No. of Burners	5
COOKTOP FEATURES	
Cooktop Burner Type	Sealed Gas Burner
No. of Burners	5
Burner/BTU - Left Rear	9100 / 9100
Burner/BTU - Right Rear	5000
Burner/BTU - Left Front	9100 / 9100
Burner/BTU - Right Front	12000 / 9500
Center (Warming Zone) (BTU)	17000 / 11000
Burner Simmer / BTU - Left Rear	1600
Burner Simmer / BTU - Right Rear	1300
Burner Simmer / BTU - Left Front	1600
Burner Simmer / BTU - Right Front	2200
Center (Warming Zone)	2300
CONTROL	
Cooktop Control Type	Knob
Display	Indicators
Control Location	Front-Center
DIMENSIONS / CLEARANCES / WEIGHT (30" COOKTOP)	
Product (W x H x D)	30" x 3 3/4" x 21 11/16"
Cut-out (W x H x D)	28 1/2" x - x 19 11/16"
Packing (W x H x D)	34 9/16" x 10 1/2" x 25 31/32"
Product Weight (lbs)	44
Shipping Weight (lbs)	54

DIMENSIONS / CLEARANCES / WEIGHT (36" COOKTOP)	
Product (W x H x D)	36" x 3 3/4" x 21 11/16"
Cut-out (W x H x D)	33 15/16" x - x 19 11/16"
Packing (W x H x D)	40" x 10 1/2" x 25 31/32"
Product Weight (lbs)	50
Shipping Weight (lbs)	62
POWER/RATINGS	
Amp at 240V	17.1A
kW at 120V	120V 60Hz / 0.3A
Requirements	120 / 240 VAC, 120 / 208 VAC
APPEARANCE	
All Available Colors	Stainless Steel, Black Stainless Steel
Handle/Knobs	Stainless Steel
Knobs	Aluminum
ACCESSORIES	
Conversion Kit	Yes
LIMITED WARRANTY	
Parts & Labor	1 Year
UPC CODES	
LCG3611ST	048231317290
LCG3011ST	048231317306
LCG3611BD	048231340526
LCG3011BD	048231340519

HOME APPLIANCES

LG COOKING

LWC3063
Combi Wall Oven

1.7 cu.ft. Microwave (Speed Oven)

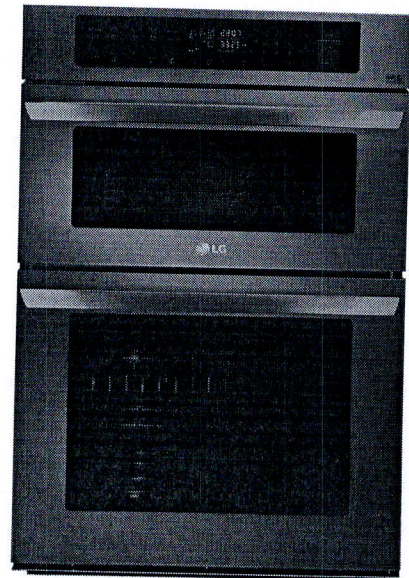
Infrared Heating™

4.7 cu.ft. Oven

Crisp Convection

Self+EasyClean

SmartThinQ® Technology



SMART APPLIANCE



Enjoy new ways to control your home with LG smart appliances

- Start or stop your Oven remotely
- Set your Monitor Status from your smartphone
- Works with the LG SmartThinQ® app

SmartThinQ®



SUMMARY	
Total Oven Capacity (cu. ft.)	6.4 (Upper & Lower)
Colors	Stainless Steel / Black Stainless Steel
UPPER OVEN FEATURES	
Capacity (cu.ft)	1.7
Interior(Cavity) - Upper MWO / Lower Oven	Stainless / Enamel Coating
Microwave Power output	950W
Microwave mode power consumption	1650W
Convection Bake mode power consumption	1550W
Broil mode power consumption	1650W
Convection Element (W)	1500W (Sheath heater)
Broil Upper Element (W)	1200W = 700W (Miraclon heater) + 500W (Infrared Heating™)
Broil Lower Element (W)	375W (Miraclon heater)
Microwave	Yes
Convection Bake	Yes
Broil	Yes
Speed cook	Yes (TurboCook™)
- # of Defrost (4 Menu)	Meat / Poultry / Fish / Bread
- # of Sensor cook (9 Menu)	Beverage / Casserole / Chicken / Pasta / Pizza / Plate of food / Rice / Soup / Vegetable
- # of Auto cook (28 Menu)	Bacon (regular sliced) / Bagels (frozen) / Baked potatoes (7-9oz/ea) / Brownie / Cod fillets (1 lb) / Corn dog (frozen) / Fresh vegetable / Frozen chicken wings / Frozen fries / Frozen chicken nuggets / Frozen pizza (regular crust) / Frozen soft pretzels / Frozen vegetable / Garlic bread (sliced, frozen) / Hamburger (1/2" thick) / Lamb chops (1/2" chick, 6-7oz) / Meat loaf (9" X 5") / Nachos / Oatmeal / Pork chops (1/2" thick, 6-7oz) / Quinoa / Rib eye steak (1" thick 14-15oz) / Rice / Salmon steak (1" thick) / Sausage / Sirloin steak (1" thick, 18-21oz) / Tenderloin / Vegetable-canned
- # of Soften (4 Menu)	Butter & Margarine / Cream Cheese / Ice Cream / Frozen Juice
- # of Melt (5 Menu)	Butter / Caramel / Cheese / Chocolate / Marshmallow
LOWER OVEN FEATURES	
Capacity (cu.ft)	4.7
EasyClean®	Yes
Self Clean	Yes (3,4,5 hours)
Variable cleaning time	Yes (3,4,5 hours)
Variable broil	Yes (Full,Center / High,Med,Low)
Broil element	2,500 watts inner / 1,500 watts outer
Bake element	2,500 watts
Bake element type	Hidden (8 pass)
# of rack position	5
12 hrs. shut-off	Yes
- # of light	3 (Halogen Lamp - 3 dimension lighting)
Convection conversion	Yes
-Convection element	Yes (2,000 watts Sheath heater)
Convection System/Mode/Cooking System	Conventional
Convection Fan	Dual Speed (High/Low)
Oven Cooking mode	Conv.Bake / Conv.Roast / Bake / Broil / Steam Bake / Steam Roast / Probe / more mode (Favorite/Warm/Proof)
Oven Control Features	Glass Touch (SmoothTouch™)
Door Lock	Yes

CONTROL	
Oven Control Type	Glass Touch (SmoothTouch™)
Display	White VFD
Language	English / Spanish / French
Smart Function	Wi-Fi / Smart Buzzer
Clock	12 hr or 24 hr (option)
Kitchen Timer	Yes
Timed Cook	Yes
Temperature Unit of Measure	Fahrenheit / Celsius
Cooking Complete Reminder Volume	Beeper (1. Loud, 2. Low, 3. Mute)
APPEARANCE	
Available Colors	Stainless Steel / Black Stainless Steel
Handle/Knobs	Stainless Steel Finish (Aluminum) / Black Stainless Steel Finish (Aluminum)
Oven Door Feature	WideView™ Window
Scratch-Resistant	Yes
PrintProof™ Finish	Yes (Only Black Stainless Steel)
SmartThinQ® SMART FEATURES	
SmartDiagnosis™	Yes
Wi-Fi Connectivity	Yes
Works with	Google Assistant and Amazon Alexa
SmartThinQ® with Innit and SideChef	Yes
DIMENSIONS/CLEARANCES/WEIGHT	
Shipping Weight (lbs)	244 lbs
Product Weight (lbs)	194 lbs
Product (W x H x D)	29 3/4" x 43 13/16" x 24 1/2"
Cut-out (W x H x D)	28 1/2" x 43 8/19" x 23 1/2"
Overall Depth (in) - including handle	26 7/8"
Actual Depth with Door Open (Upper) (in):	37.1"
Actual Depth with Door Open (Lower) (in):	45.7"
Oven Interior Dimensions (Upper) (in) (W x H x D)	20 8/11" x 8 9/25" x 17 5/13"
Oven Interior Dimensions (Lower) (in) (W x H x D)	24 1/2" x 17 5/8" x 18 7/8"
Carton Dimensions (in) (W x H x D)	33" x 30" x 50"
POWER/RATINGS	
Amp at 240V	32.5A
kW at 240V	7.8kW
Requirements	120 / 240 VAC, 120 / 208 VAC
ACCESSORIES	
Glass Tray(Upper)	Yes
Metal Tray(Upper)	Yes
Rack(Upper)	Yes
Broiler pan & Grid	Yes
Gliding Rack	1
Heavy Duty Rack	2
Meat probe	Yes
Scouring Pad	Yes
WARRANTY	
Parts & Labor	1 Year
UPC CODES	
LWC3063ST (Stainless Steel)	048231339810
LWC3063BD (Black Stainless Steel)	048231339827

© 2018 LG Electronics USA, Inc. All rights reserved. "LG Life's Good" is a registered trademark of LG Corp. All other product and brand names are trademarks or registered trademarks of their respective owners. Design, features and specifications are subject to change without notice. Non-metric weights and measurements are approximate. Some features may require Internet access. Content and services may vary by product and are subject to change without notice. 10/4/18

LWC3063

Combi Wall Oven

QUICK INSTALL & CLEARANCES

For full installation directions/clearances please refer to the corresponding User Manual and Installation Guide.

DIMENSIONS / CLEARANCES / WEIGHT

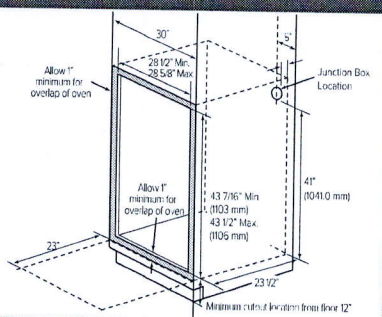
Product Dimensions (in) (W x H x D)	29 3/4" x 43 13/16" x 24 1/2"
Cut-out (W x H x D)	28 1/2" x 43 8/19" x 23 1/2"
Overall Depth (in) - including handle	26 7/8"
Actual Depth with Door Open (Upper) (in):	37.1"
Actual Depth with Door Open (Lower) (in):	45.7"
Oven Interior Dimensions (Upper) (in) (W x H x D)	20 8/11" x 8 9/25" x 17 5/13"
Oven Interior Dimensions (Lower) (in) (W x H x D)	24 1/2" x 17 5/8" x 18 7/8"
Carton Dimensions (in) (W x H x D)	33" x 30" x 50"
POWER RATINGS	
Amp at 240V	32.5A
kW at 240V	7.8kW
Requirements	120 / 240 VAC, 120 / 208 VAC

INSTALLATION REQUIREMENTS

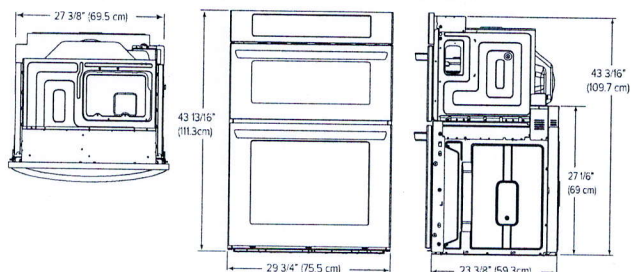
- The cabinet base platform must be able to support 202 lbs (91.65 kg) for a Microwave Combination Wall Oven. If the cabinet does not have a solid bottom, two braces or runners must be installed level with the bottom of the cutout to support the weight of the oven. Make sure the base is level and the front of the cabinet is square. If the cabinet base is not level, the oven racks will tend to slide out when opening the door.
- If marks, blemishes or the cutout opening are visible above the installed oven, it may be necessary to add wood shims under the runners and front trim until the marks or opening are covered.
- If the cabinet does not have a front frame and the sides are less than 3/4" (1.9 cm) thick, shim both sides equally to establish the cutout width.
- The junction box must be flush with the rear wall of the cabinet as shown below.
- Allow at least a 23" clearance for the door depth when it is open.
- Kitchen cabinets in contact with the oven must be heat resistant up to 194°F (90°C), and fronts of nearby units up to at least 158°F (70°C).

CUTOUT DIMENSIONS

- Cabinet Width: 30" (762 mm)
- Recommended Minimum Cutout Location from Floor: 12" (304.8 mm)
- Cutout Depth: 23 1/2" Min. (596.9 mm)
- Cutout Width: 28 1/2" Min. (723.9 mm)
28 5/8" Max. (727 mm)
- Cutout Height: 43 7/16" Min. (1103 mm)
43 1/2" Max. (1106 mm)

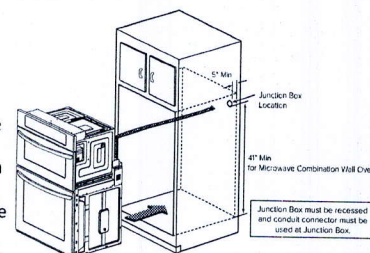


PRODUCT DIMENSIONS



ELECTRICAL CONNECTIONS

- Be sure the wall oven is installed and grounded properly by a qualified installer or service technician.
- This wall oven must be electrically grounded in accordance with local codes or, in their absence, with the National Electrical Code ANSI/NFPA No.70- latest edition in United States, or with CSA Standard C22.1-1982 and C22.2 No.01982 (or latest edition), Canadian Electrical Code, Part 1, and all local codes and ordinances.
- This wall oven must be supplied with the proper voltage and frequency, and connected to an individual, properly grounded branch circuit, protected by a circuit breaker or fuse. For the circuit breaker or fuse required by this model, see the rating plate to find the wattage consumption and refer to the table below to get the circuit breaker or fuse amperage.
- A Microwave Combination Wall Oven can consume up to 7,800 W at 240 VAC. A 50 Amp circuit breaker with wire gauge #8 AWG must be used.
- Do Not ground to a gas pipe.
- Do Not have a fuse in the neutral or grounding circuit.
- A U.L.-listed conduit connector must be provided at the junction box.
- Prepare the electrical connection as follows:
 - Turn off the circuit breaker or remove fuses to the oven branch circuit.
 - With the oven positioned directly in front of the cabinet opening, connect the flexible conduit to the electrical junction box as shown below. Position the conduit in such a manner that it will lie on top of the oven in a natural loop when the oven is installed.
- If local codes permit connection of the frame grounding conductor to the neutral(white) wire, follow the instructions for a 3-wire circuit connection.
- If used in mobile homes or new construction, or a recreational vehicle, or local codes do not permit connection of the frame grounding conductor to the neutral(white) wire, follow the instructions for a 4-wire circuit connection.



INSTALL THE OVEN

- Install the oven into the cabinet as follows:
 - Slide the oven into the opening.
 - Loop (do not tie) a 36" (91 cm) string around the conduit before the oven is slid into place. Lay the string over the top of the oven and use it to keep the conduit from falling behind the oven.
 - Lift oven into cabinet cutout using the oven opening as a grip. Carefully push against the oven front frame. Do not push against outside edges.
 - While sliding the oven back, pull the string so that the conduit lies on the top of the oven in a natural loop.
 - When you are sure the conduit is out of the way, slide the oven 3/4 way back into the opening. Remove the string by pulling on one end of the loop.
 - Secure the oven.
 - Using the mounting holes on the oven side trim as a guide, drill pilot holes for screws provided. (For securing the Combi Oven, use a minimum of 4 screws, one on each side in both the upper and lower ovens.)
 - Secure the oven to the cabinet with screws provided. If the cabinet is particle board, you must use 3/4" particle board screws. These may be purchased at any hardware store.
 - Install the metal bottom trim.
 - Place the metal bottom trim centered over the pre-drilled mounting holes on the lower base.
 - Using 3 screws provided, secure the bottom trim to the bottom edge of the cabinet.
 - Reinstall the oven door.

