

CONSTRUCTION SUMMARY

Red Oaks - Roundel Homes Inc.

PURCHASER: Yangmengying XIA

TEL: RES.: 647-869-7989

LOT / PHASE	REG. PLAN #	HOUSE TYPE		
164 / 1	65M-4737	Glenrowan 3 Elev 2		

CABINETRY

1 - CABINETRY - KITCHEN - HARDWARE UPGRADE 1 30Mar23 Note:	
1 - VANITY - PRIMARY ENSUITE - UPGRADE 2 30Mar23 Note:	
1 - CABINETRY - KITCHEN - LIGHT VALANCE 30Mar23 Note:	
1 - CABINETRY - KITCHEN - UPGRADE 2 30Mar23 Note:	

CABINETRY ACCESSORIES

1 - CABINETRY FEE FOR FLUSH CUTOUT FOR BUILT IN FRIDGE 30Mar23 Note:	
1 - KITCHEN CABINETRY - BUILT-IN FRIDGE CABINET - PRICE IS EACH 30Mar23 Note:	
1 - KITCHEN CABINETRY BASE - BASE AND STANDARD GRANITE COUNTER - UPGRADE 2 APPROX. 6 FEET OF BASE AND COUNTER TO REAR WALL AT BREAKFAST AREA - SEE SKETCH 30Mar23 Note:	
1 - KITCHEN BASE CABINETRY - BAR FRIDGE PROVISION 30Mar23 Note:	
1 - KITCHEN CABINETRY UPPER - FULL DEPTH ABOVE FRIDGE - WITH GABLES - 600MM - PRICE IS EACH - UPGRADE 2 30Mar23 Note:	
1 - KITCHEN CABINETRY BASE - BUILT-IN - MICROWAVE BASE CABINET WITH SINGLE POT DRAWER - 800MM WIDE - PRICE IS EACH - UPGRADE 2 30Mar23 Note:	
1 - CABINETRY FEE FOR FLUSH CUTOUT ON WALL SINGLE MICROWAVE CABINET 30Mar23 Note:	
1 - CABINETRY FEE FOR FLUSH CUTOUT ON WALL DOUBLE OVEN COMBO CABINET ONLY 30Mar23 Note:	
1 - KITCHEN CABINETRY BASE - COOKTOP CABINET WITH POT DRAWERS (2 DRAWERS) - UPGRADE 2 30Mar23 Note:	
1 - KITCHEN CABINETRY - BUILT-IN DOUBLE OVEN COMBO - UPGRADE 2 30Mar23 Note:	
1 - VANITY CABINETRY - RAISE VANITY TO 36" HIGH VANITY IN LIEU OF STANDARD HEIGHT - ALL VANITIES 30Mar23 Note:	
1 - KITCHEN CABINETRY BASE - PIE CUT CORNER CABINET - BASE CABINETRY - UPGRADE 2 30Mar23 Note:	
1 - KITCHEN CABINETRY BASE - PULLOUT RECYCLE 2 BIN - PRICE IS EACH 30Mar23 Note:	

CONSTRUCTION SUMMARY

Red Oaks - Roundel Homes Inc.

PURCHASER: Yangmengying XIA

TEL: RES.: 647-869-7989

LOT / PHASE	REG. PLAN #	HOUSE TYPE		
164 / 1	65M-4737	Glenrowan 3 Elev 2		

CERAMIC TILE

1 - TILE - UPGRADE 2 WALL TILE - SHARED ENSUITE 2/3 - TUB AREA 30Mar23 Note:	
1 - TILE - UPGRADE 2 WALL TILE - ENSUITE 4 - SHOWER 30Mar23 Note:	
1 - TILE - UPGRADE 2 FLOOR TILE - SHARED ENSUITE 2/3 - FLOOR 30Mar23 Note:	
1 - TILE - UPGRADE 2 FLOOR TILE - ENSUITE 4 - FLOOR 30Mar23 Note:	
1 - TILE - UPGRADE 4 FLOOR TILE - LAUNDRY ROOM 30Mar23 Note:	
1 - TILE - UPGRADE 4 FLOOR TILE - POWDER ROOM 30Mar23 Note:	
1 - TILE - UPGRADE 4 FLOOR TILE - FOYER 30Mar23 Note:	

CONSTRUCTION

1 - SMOOTH CEILINGS SECOND FLOOR 19Jan23 Note:	
1 - SMOOTH CEILINGS ON FIRST FLOOR ONLY 10Nov22 Note:	

ELECTRICAL

1 - PLUG - ELECTRICAL PLUG - FOR BAR FRIDGE 30Mar23 Note:	
1 - PLUG - ELECTRICAL PLUG - FOR BUILT-IN MICROWAVE 30Mar23 Note:	
1 - BUILT IN OVEN AND COOKTOP PROVISION - PROVISION ONLY - ELECTRICAL ONLY 30Mar23 Note:	
1 - KITCHEN - VALANCE LIGHTING - LED LIGHTING 30Mar23 Note:	
1 - PLUG - ELECTRICAL PLUG - TO BE INSTALLED OVER FIREPLACE 10Nov22 Note:	
1 - FAN - BATHROOM EXHAUST FAN - ENERGY STAR 80 CFM - IN LIEU OF STANDARD FAN MASTERE ENSUITE 10Nov22 Note:	
1 - ABOVE KITCHEN ISLAND - ADD LIGHT AND SWITCH - NO FIXTURE INCLUDED 10Nov22 Note:	

FIREPLACE AND ACCESSORIES

CONSTRUCTION SUMMARY

Red Oaks - Roundel Homes Inc.

PURCHASER: Yangmengying XIA

TEL: RES.: 647-869-7989

LOT / PHASE	REG. PLAN #	HOUSE TYPE		
164 / 1	65M-4737	Glenrowan 3 Elev 2		

1 - GAS LINE ROUGH-IN FOR BARBECUE - FIRST FLOOR

10Nov22 Note:

1 - GAS LINE ROUGH-IN FOR STOVE (INCLUDES ELECTRICAL OUTLET) - FIRST FLOOR

10Nov22 Note:

MIRRORS AND GLASS

1 - FRAMELESS GLASS SHOWER DOOR FOR 5 FOOT PAN - INCLUDES CHROME KNOB & HINGES

MASTER ENSUITE

10Nov22 Note:

PLUMBING

1 - ENSUITE 2/3 - ADD DOUBLE SINK TO VANITY

30Mar23 Note: SINK AND FAUCET AS PER VENDORS STANDARD

1 - MOEN CHATEAU POSI-TEMP SHOWER ONLY WITH 3 FUNCTION TRANSFER VALVE/TRIM AND SLIDE BAR WITH HAND SHOWER - CHROME TL182EP/U361CI/UT2721/3669EP/A725/62321

NO TOE TESTER

MASTER ENSUITE

10Nov22 Note:

FOR CONFIRMATION PURPOSES - TL182EP / U361CI / UT2721 / 3669EP / A725 / 62320

2 - HOSE BIB - EXTERIOR FROST FREE

IN GARAGE AND BACKYARD

10Nov22 Note:

1 - WATER LINE FOR FRIDGE - ROUGH-IN ONLY

10Nov22 Note:

PROMOTIONAL

1 - LESS BALANCE OF CREDIT FROM PURCHASER EXTRA SHEET IN OFFER

10Nov22 Note:

STAIRS AND RAILINGS

1 - EUROLINE 1 BLACK PICKETS

30Mar23 Note:

1 - V GROOVE HANDRAIL

30Mar23 Note:

EXTRAS AS PER OFFER

The Vendor agrees that notwithstanding any other term or provision in this Agreement included in the Purchase Price and in addition to those items detailed in Schedule GP to the Agreement of Purchase and Sale, the Purchaser is entitled to a credit of Ten Worksheet Note:

FOYER SUNKEN 2 RISERS.

Worksheet Note:

COLD STORAGE REMOVED DUE TO HEADROOM.

Worksheet Note:

INSET STEP IN PORTICO.

Worksheet Note:

Purchaser: Yangmengying XIA
 Telephone Res. / Bus: (647) 869-7989 /
 Decor Advisor: Ida Viola
 Lock Date: 30-Mar-23

Property: 164
 Project: Roundel Homes Inc.
 Model and Elevation: Glenrowan 3 Elev 2
 Plan #: 65M-4737

Layout Changes: Yes No Sketch Attached: Yes No Exterior Colour Scheme:

1. Cabinetry

	Style and Colour	Hardware
Kitchen / Breakfast	ARUBA 689 METALICA	593SC
Laundry Room	ELISSE	Standard
Powder Room	MONACO 350 PLATINUM SILVER	464SA
Master Ensuite Bathroom	ARUBA 689 METALICA	467SA
Ensuite Bath - Bedroom 2/3	MONACO 350 PLATINUM SILVER	464SA
Ensuite Bath - Bedroom 4	MONACO 350 PLATINUM SILVER	464SA

Appliances: Built In Appliances Yes No Slide In Stove Yes No

Dishwasher Cabinet Closed Open 41" Upper Cabinets Yes No Please NOTE: Standard Cabinet Height is 30"

Stove Opening NOTE: If not specified, opening will be set to builder's standard opening of approximately 30" width

Fridge Opening NOTE: If not specified, opening will be set to builder's standard opening of approximately 37" width x 74" height

** Refer to Construction Summary

2. Counters

	Counter	Edge
Kitchen / Breakfast	GRANITE-GRIGIO SARDO	#360 EDGE
Laundry Room	N/A	
Powder Room	LAMINATE-CALCUTTA MARBLE 4925K-07	
Master Ensuite Bathroom	LAMINATE-CALCUTTA MARBLE 4925K-07	
Ensuite Bath - Bedroom 2/3	LAMINATE-CALCUTTA MARBLE 4925K-07	
Ensuite Bath - Bedroom 4	LAMINATE-CALCUTTA MARBLE 4925K-07	

** Refer to Construction Summary

Initial: 

Purchaser: Yangmengying XIA

Property: 164

Telephone Res. / Bus: (647) 869-7989 /

Project: Roundel Homes Inc.

Decor Advisor: Ida Viola

Model and Elevation: Glenrowan 3 Elev 2

Lock Date: 30-Mar-23

24-Mar-23

Plan #: 65M-4737

- 3. Ceramic Flooring

		At a 45	Threshold-If App.
Entrance Vestibule	TILE-SMOT WHITE LAPP 24X24	<input type="checkbox"/>	METAL STRIP
Main Hall	N/A	<input type="checkbox"/>	
Kitchen / Breakfast	TILE-CONCRETE GREY 13X13	<input type="checkbox"/>	
Laundry Room	TILE-SMOT WHITE LAPP 24X24	<input type="checkbox"/>	
Powder Room	TILE-SMOT WHITE LAPP 24X24	<input type="checkbox"/>	
Master Ensuite Bathroom	TILE-CONCRETE GREY 13X13	<input type="checkbox"/>	
Ensuite Bath - Bedroom 2/3	TILE-IROC GREIGE 12X24	<input type="checkbox"/>	
Ensuite Bath - Bedroom 4	TILE-IROC GREIGE 12X24	<input type="checkbox"/>	
		<input type="checkbox"/>	
		<input type="checkbox"/>	
		<input type="checkbox"/>	

** Refer to Construction Summary

- 4. Ceramic Wall Tile

Master Ensuite Bathroom	Selection	Describe
Tub Deck Wall		
Tub Deck		
Tub Deck Skirt		
Shower Stall	TILE-CONCRETE GREY 13X13	
Bathtub Enclosure Walls		
Ensuite Bath - Bedroom 2/3	TILE-IROC GREIGE 12X24	
Ensuite Bath - Bedroom 4	TILE-IROC GREIGE 12X24	
Kitchen Backsplash	N/A	

** Refer to Construction Summary - STANDARD GROUT THROUGHOUT UNLESS SPECIFIED

- 5. Plumbing Fixtures

All Bathrooms White

Whirlpool Yes No

Dishwasher Rough-In Yes No

Waterline for Fridge Yes No

** Refer to Construction Summary

- 6. Trim Carpentry

Interior Doors	As Per Construction Specifications
Interior Trim	As Per Construction Specifications
Door Handles	As Per Construction Specifications
Exterior Front Door Handle	As Per Construction Specifications

** Refer to Construction Summary

Initial:

Purchaser: Yangmengying XIA

Property: 164

Telephone Res. / Bus: (647) 869-7989 /

Project: Roundel Homes Inc.

Decor Advisor: Ida Viola

Model and Elevation: Glenrowan 3 Elev 2

Lock Date: 5-Apr-23

24-Mar-23

Plan #: 65M-4737

7. Other Flooring

Main Hall	HARDWOOD-NATURAL RED OAK 3 1/4
Living Room	N/A
Dining Room	HARDWOOD-NATURAL RED OAK 3 1/4
Family Room	HARDWOOD-NATURAL RED OAK 3 1/4
Den / Library / Study	HARDWOOD-NATURAL RED OAK 3 1/4
Basement Landing(If Applies)	N/A
Lower Landing (If Applies)	HARDWOOD-NATURAL RED OAK 3 1/4
Upper Landing	HARDWOOD-NATURAL RED OAK 3 1/4
Upper Hall	LAMINATE- MANHATTAN RED OAK NATURAL TL 15004
Master Bedroom	LAMINATE- MANHATTAN RED OAK NATURAL TL 15004
Bedroom #2	LAMINATE- MANHATTAN RED OAK NATURAL TL 15004
Bedroom #3	LAMINATE- MANHATTAN RED OAK NATURAL TL 15004
Bedroom #4	LAMINATE- MANHATTAN RED OAK NATURAL TL 15004
Bedroom #5	N/A
Underpad	Type Area
	N/A N/A

** Refer to Construction Summary

8. Railings and Pickets

Railing Type	V-GROOVE	Complimenting Colour	NATURAL RED OAK
Picket Type	EUROLINE 1	Complimenting Colour	BLACK
Stringer / Riser	AS PER CONSTRUCTION SPECIFICATIO	Complimenting Colour	NATURAL RED OAK
Treads	AS PER CONSTRUCTION SPECIFICATIO	Complimenting Colour	NATURAL RED OAK
Red Oak Stairs <input checked="" type="radio"/> Yes <input type="radio"/> No			

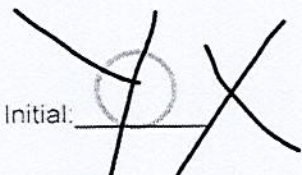
** Refer to Construction Summary THE STAIN COLOURS OR FINISH AVAILABLE ON RISERS, TREADS, PICKETS AND RAILS (STAIRCASES), WILL NOT BE AN EXACT MATCH TO PREFINISHED HARDWOOD OR LAMINATE FLOORS.

9. Wall Paint Flat Finish

Main & Upper Hall	22 WARM GREY	Master Bedroom	22 WARM GREY
Living Room	N/A	Bedroom #2	22 WARM GREY
Dining Room	22 WARM GREY	Bedroom #3	22 WARM GREY
Kitchen / Breakfast	22 WARM GREY	Bedroom #4	22 WARM GREY
Family Room	22 WARM GREY	Bedroom #5	N/A
Powder Room	22 WARM GREY	Master Ensuite	22 WARM GREY
Laundry Room	22 WARM GREY	Ensuite Bath - Bedroom 2/3	22 WARM GREY
Den/Library	22 WARM GREY	Ensuite Bath - Bedroom 4	22 WARM GREY
Trim & Door Paint-Semi Gloss	BIRCH WHITE		

Smooth Ceilings First Floor Yes No

** Refer to Construction Summary

Initial: 

Purchaser: Yangmengying XIA

Property: 164

Telephone Res. / Bus: (647) 869-7989 /

Project: Roundel Homes Inc.

Decor Advisor: Ida Viola

Model and Elevation: Glenrowan 3 Elev 2

Lock Date: 30-Mar-23

24-Mar-23

Plan #: 65M-4737

10. Plaster Mouldings and Medallions

Entrance Vestibule	N/A		Kitchen/Breakfast	N/A	
Main Hall	N/A		Den/Library	N/A	
Living Room	N/A		Lower Landing	N/A	
Dining Room	N/A				
Family Room	N/A				

** Refer to Construction Summary

11. Fireplace

	Living Room			Family Room			Other Room - Specify		
	Purchased	As Per Plan	N/A	Purchased	As Per Plan	N/A	Purchased	As Per Plan	N/A
Fireplace Type	<input type="radio"/>	<input type="radio"/>	<input type="radio"/>	<input type="radio"/>	<input checked="" type="radio"/>	<input type="radio"/>	<input type="radio"/>	<input type="radio"/>	<input type="radio"/>
Mantle Type	As Per Construction Specifications								
Colour / Stain	MANTLE M1-STANDARD								
Surround	AS PER CONSTRUCTION SPECIFICATIONS								
Hearth	NERO								
	NO								

** Refer to Construction Summary

12. Heating and Air Conditioning

Air Conditioning	<input type="text" value="NO"/>	Gas Provisions Stove	<input type="text" value="YES"/>
Gas Provisions Dryer	<input type="text" value="NO"/>	Gas Provisions Barbecue	<input type="text" value="YES"/>
Comment			

** Refer to Construction Summary

13. Electrical

Plugs and Switches	<input checked="" type="radio"/> White	<input type="text" value="DECOR"/>	Above Kitchen Cabinet Light	<input type="radio"/> Yes	<input checked="" type="radio"/> No
Hood Fan	<input <="" td="" type="text" value="STANDARD WHITE 30"/> <td>Below Kitchen Cabinet Light</td> <td><input checked="" type="radio"/> Yes</td> <td><input type="radio"/> No</td>		Below Kitchen Cabinet Light	<input checked="" type="radio"/> Yes	<input type="radio"/> No
Appliances	Built in Cooktop	Built in Oven	Gas Stove	Microwave	
	<input checked="" type="radio"/> Yes <input type="radio"/> No	<input checked="" type="radio"/> Yes <input type="radio"/> No	<input checked="" type="radio"/> Yes <input type="radio"/> No	<input checked="" type="radio"/> Yes <input type="radio"/> No	<input type="radio"/> No
Dishwasher Rough-in	<input type="text" value="Yes"/>				

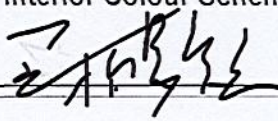
** Refer to Construction Summary

14. General Comments

** Refer to Construction Summary

Disclaimers and Notes

- Colours of all materials are as close as possible to builder's selection, but not necessarily identical due to variances in manufacturing.
- Any extras listed above are null and void unless accompanied by a separate invoice/amendment. Said invoice must be paid in full.
- The Purchaser agrees that this colour selection is final and that no changes will be permitted, unless required by the Vendor.
- The Purchaser acknowledges reading and accepting document which contains other miscellaneous disclaimers.
- In the event of a conflict between the Standard Features schedule of the Agreement of Purchase and Sale and the Interior Colour Scheme, the Interior Colour Scheme shall prevail.

Signature: 

Date:

Lot 164 Roundel

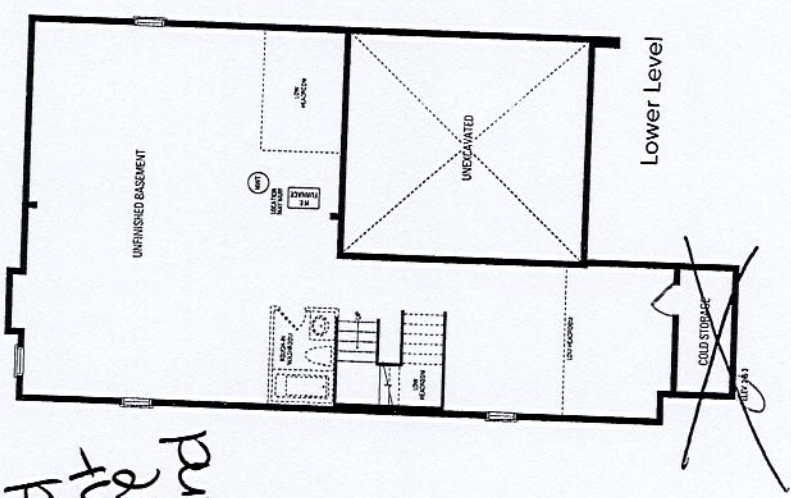
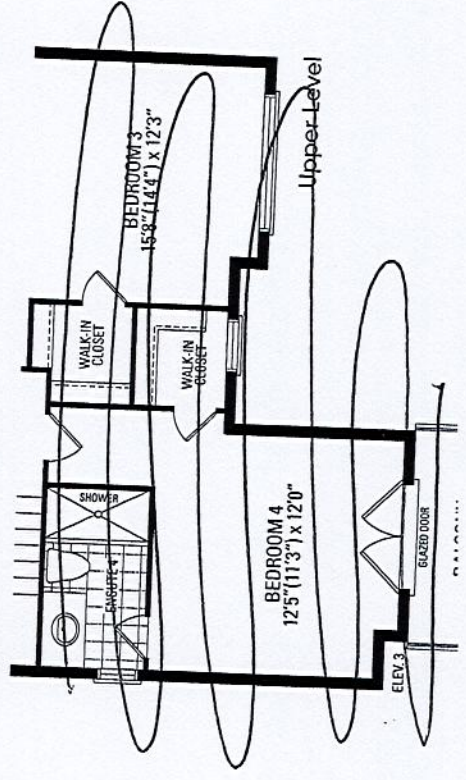
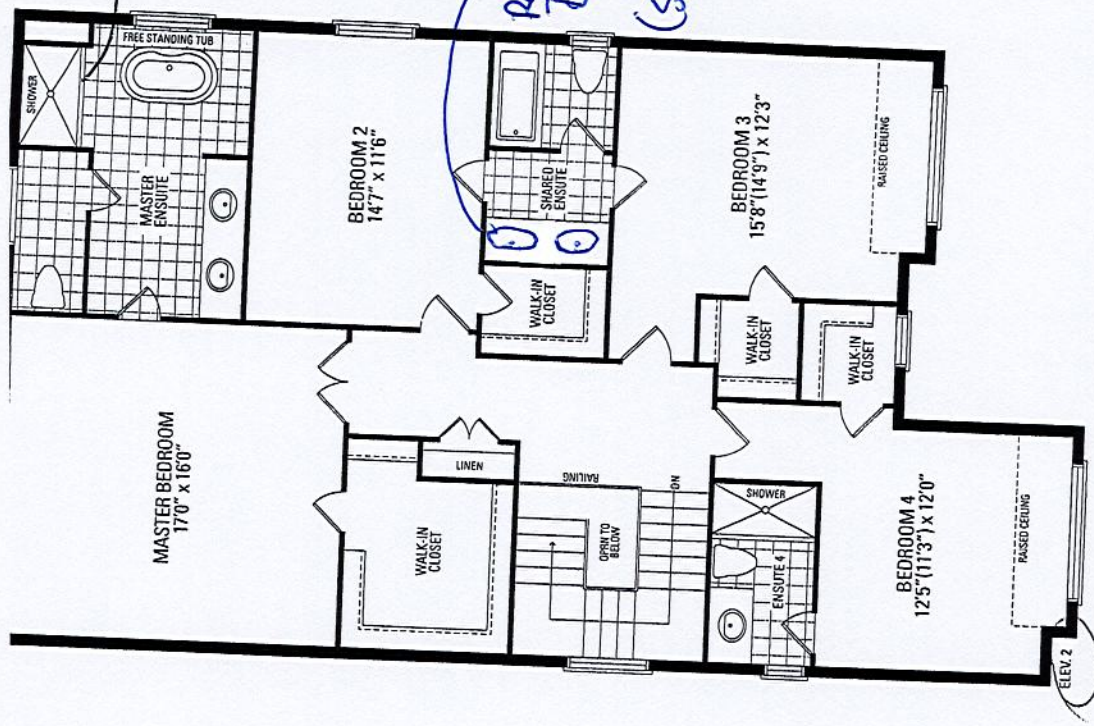
WICHITOWAN

ELEV. 2 & 3 • 2,932 sq.ft.
Includes 11 sq.ft. of open area.

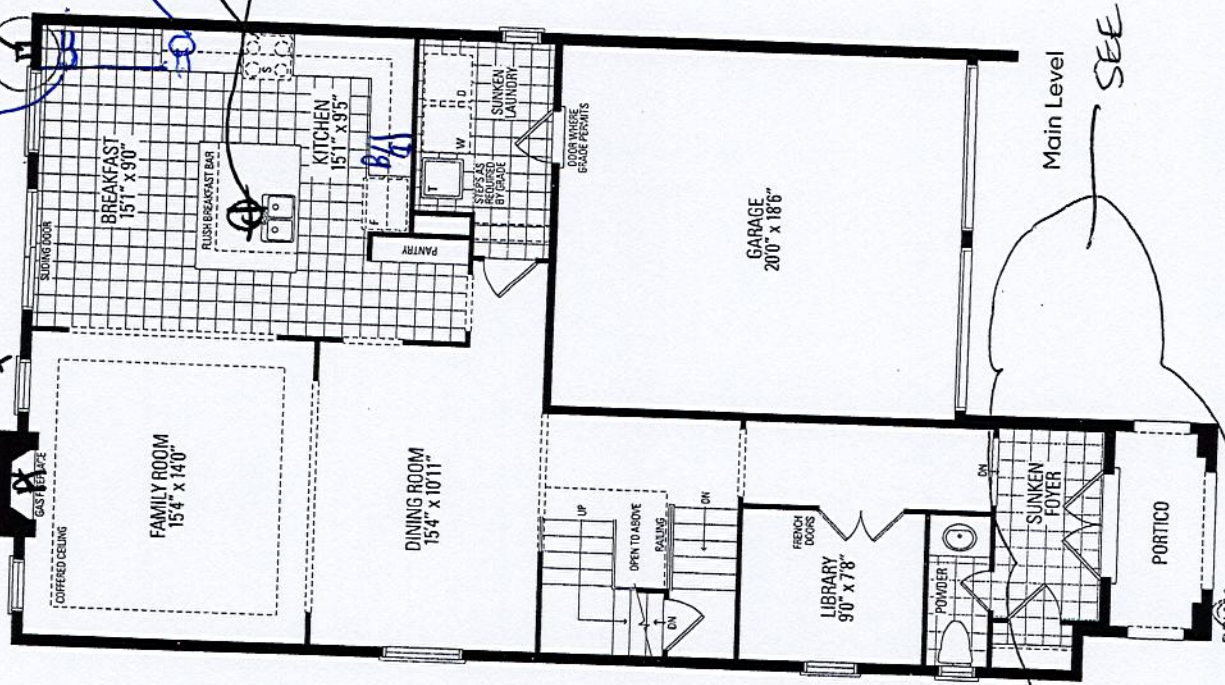
Plug for Fridge
Beer Fridge
BBQ
GASLINE
LOT #164
Plug for Base Microwave
GAS LINE R/I STEVE

Frameless
Glass
Shower door

Revised to
Double
Sink
(See Kitchen
Sketch)



Plug for fireplace
at fireplace



add
light
above
island

SEE PURCHASER ATTENTION

* SMOOTH CEILINGS - 1ST FLOOR

Lot 164 Roundel

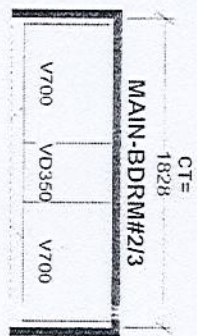
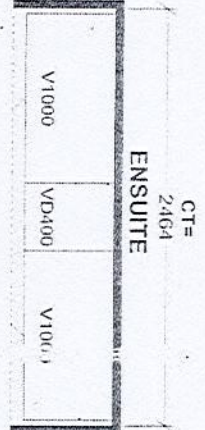
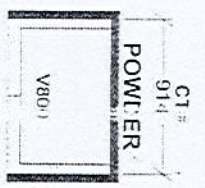
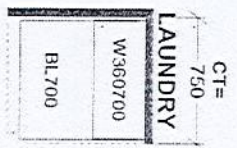
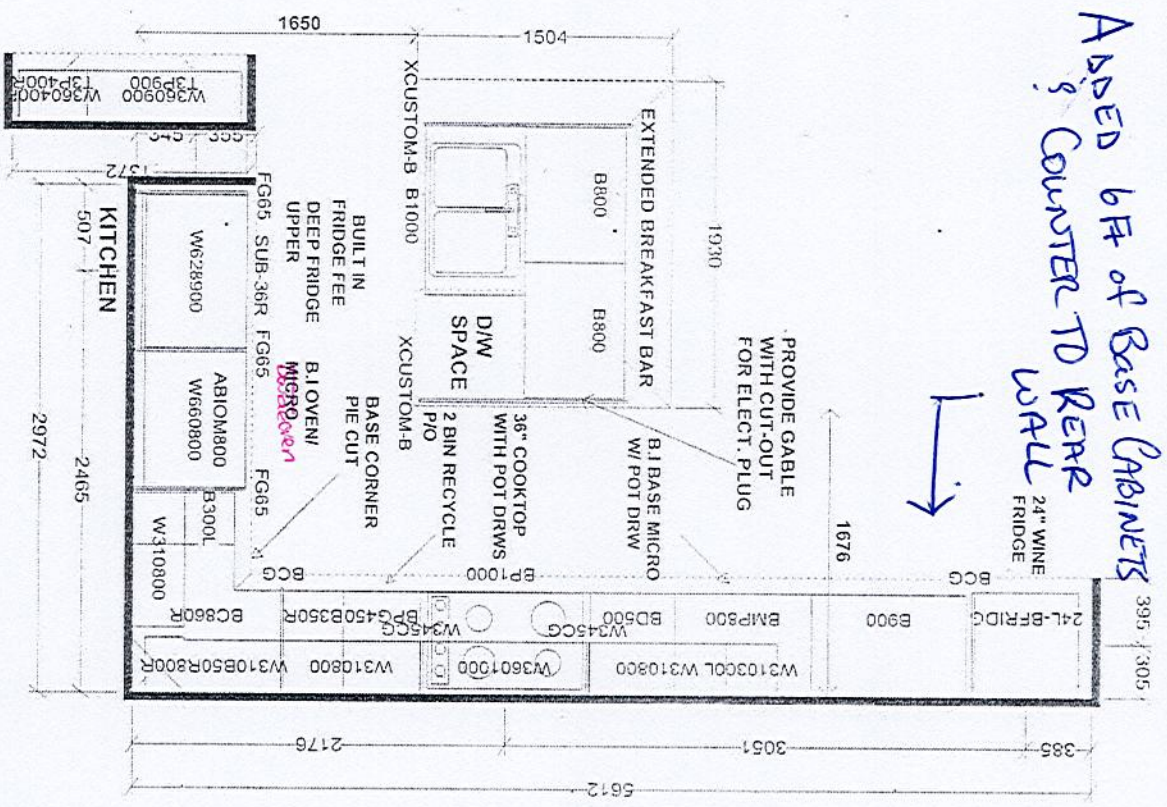
THIS LAYOUT CONTAINS EXTRAS THAT ARE NOT PART OF CONTRACT

FILE NAME: ROUNDDEL LOT 164 MARCH 28 23
BLANCA
MARCH 28 23

PROTOTYPE FOR EXTRAS

- Light Fixture

Added 6ft of Base Cabinets
& Counter to Rear Wall
24" WINE FRIDGE



* Added Sink (Double Sink)

Selba Industries

Job Number: J#

BUILDER: GREENPARK
SITE: ROUNDDEL, Richmond Hill
MODEL: GLENROWAN 3X EL 1.2.3
LOT #: 164

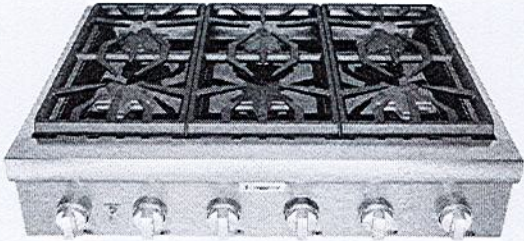
DESIGNER: KS
DATE: JUNE 7 21

W WIDTH _____ W HIGHT _____ W CNT _____
FLOOR HIGHT _____ DOOR HIGHT _____
ST CENT _____ 2X4 _____ VENT BOX COVER _____

This drawing is the intellectual property of SELBA INDUSTRIES INC. and is an original design which must not be released or copied unless applicable fee has been paid or job order placed.

Lot 164 Roundel

PCG366W
36-INCH GAS RANGETOP
 PROFESSIONAL SERIES, PORCELAIN COOKTOP SURFACE



FEATURES & BENEFITS

- ★ Patented Pedestal Star® Burner with QuickClean Base® designed for easy surface cleaning and superior heat spread for any size pan
- ★ Precision simmering capabilities as low as 100°F (375 BTU) with 2 ExtraLow® Simmer burners
- ★ LED Downlighting—hidden discreetly above the control panel provides functional and stylish illumination

GENERAL PROPERTIES

Controls	Metal Knobs
Sealed Burners	Yes
Grate Material	Cast Iron

BURNER PERFORMANCE

Total Number of Cooktop Burners	6
Power of Front Left Burner (NG)	18,000 and XLO (NG)
Power of Back Left Burner (NG)	15,000 and XLO (NG)
Power of Back Center Burner (NG)	15,000 (NG)
Power of Front Center Burner (NG)	18,000 (NG)
Power of Center 12" Electric Griddle (W)	N/A
Power of Center 12" Electric Grill (W)	N/A
Power of Back Right Burner (NG)	15,000 (NG)
Power of Front Right Burner (NG)	18,000 (NG)

TECHNICAL DETAILS

Circuit Breaker (A)	15 A
Volts (V)	120 V
Frequency (Hz)	60 Hz
Plug Type / Receptacle	120V-3 Prong NEMA 5-15
Power Cord Length (in)	65"
Energy Source	Gas
Gas Type	Natural Gas 6" Water Column (14.9 mb) Min. (USA)
Alternative Gas Type	LP 11" Water Column (27.4 mb) Min. (USA)
Convertible To LP (Kit Required)	Yes

DIMENSIONS & WEIGHT

Overall Appliance Dimensions (HxWxD) (in)	8 1/8" x 35 15/16" x 25 13/16"
Required Cutout Size (HxWxD) (in)	7 11/16" x 35 1/8" x 22 13/16"
Minimum Distance From Rear Wall (in)	6" Min. to Combustible Surface
Net Weight (lbs)	142 lbs

WARRANTY

Limited Warranty, Entire Appliance, Parts and Labor	2 Year
---	--------

★ THERMADOR® EXCLUSIVE

1 of 18

Lot 164 Roundel

PCG366W
36-INCH GAS RANGETOP
PROFESSIONAL SERIES, PORCELAIN COOKTOP SURFACE



ACCESSORIES (OPTIONAL)



PAGRIDDLE
Griddle Sits on Top of
Grates Over 2 Star Burners



PA12CHPBLK
12" Cutting Board



PWOKRINGHC
Wok Ring



PA36WLBC
10" Low Backguard



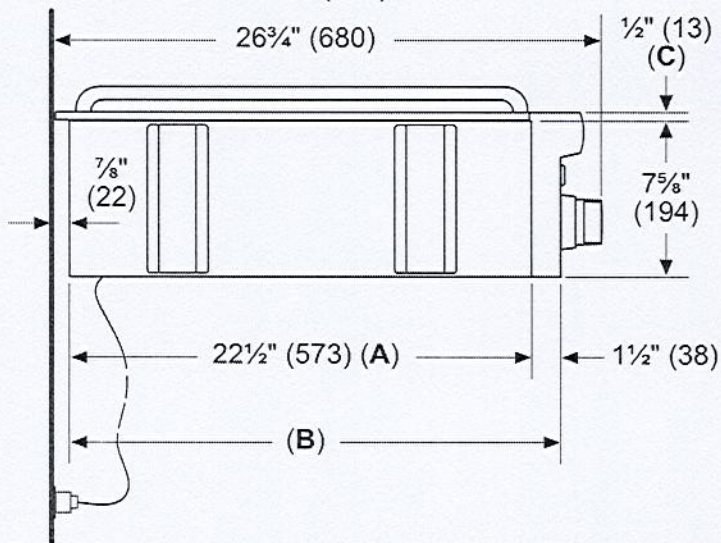
PAKNOBLUWR
Metallic Blue Knob Kit



PALPKITHW
LP Conversion Kit, Pro
Rangetops (4 & 6 Burners)

36" RANGETOP SIDE VIEW

measurements in inches (mm)



- A:** Cabinet face for installation with projecting control panel.
- B:** Cabinet face for installation with flush control panel.
- C:** Side flange

2 of 18

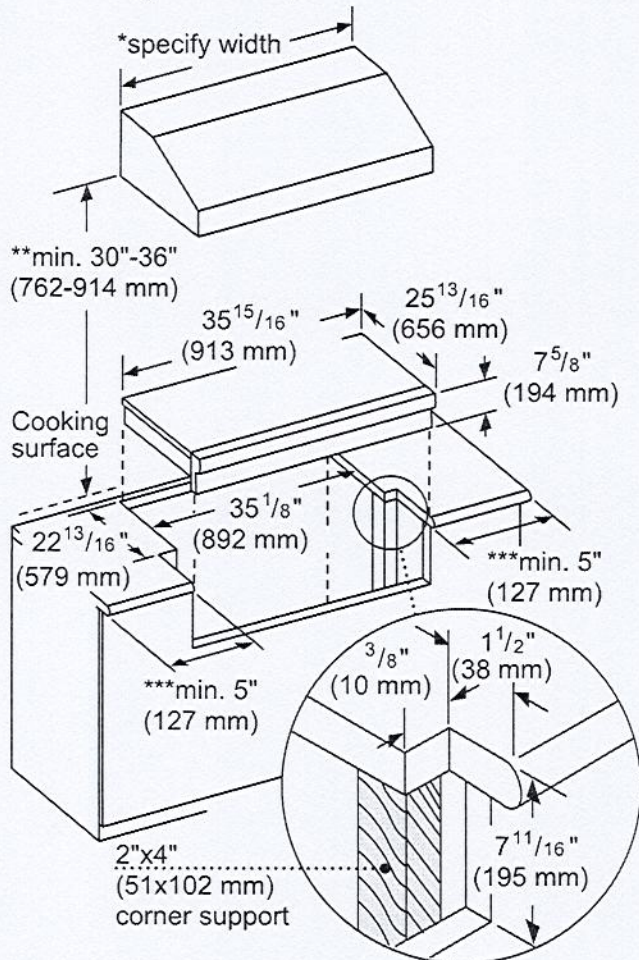
Lot 164 Roundel

PCG366W
36-INCH GAS RANGETOP
PROFESSIONAL SERIES, PORCELAIN COOKTOP SURFACE



36-INCH RANGETOP CUTOUT DIMENSIONS

* Minimum recommended hood width equals that of the range or cooktop.



** 36" minimum clearance from cooking surface to combustible surfaces.

*** 5" minimum clearance from cooking surface to combustible side wall.

Note: Most hoods contain combustible components that must be considered when planning the installation.

measurements in inches (mm)

3 of 18

Lot 164 Roundel.

PCG366W
36-INCH GAS RANGETOP
PROFESSIONAL SERIES, PORCELAIN COOKTOP SURFACE

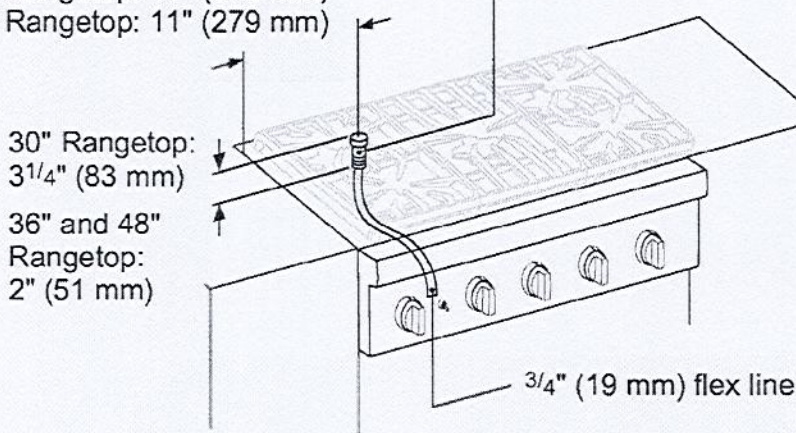


36-INCH RANGETOP GAS LOCATION

The gas and electrical supply must be located in an area that is accessible without requiring removal of the rangetop. The appliance electrical power cord and gas pipe connection are located on the left rear underside of the rangetop.

The junction box must be located within 3 feet (~900 mm) of the rangetop connection.

30" Rangetop: 6³/₈" (162 mm)
36" Rangetop: 11" (279 mm)
48" Rangetop: 11" (279 mm)



A manual valve must be installed to the appliance, in an accessible location from the front, for the purpose of shutting off the gas supply.

measurements in inches (mm)

NATURAL GAS REQUIREMENTS:

Inlet Connection: 1/2" NPT (min. 3/4" dia. flex line)
Supply Pressure: 6" min. to 14" max. water column (14.9 mb to 34.9 mb)
Manifold Pressure: 5" water column (12.5 mb)

PROPANE GAS REQUIREMENTS:

Inlet Connection: 1/2" NPT (min. 3/4" dia. flex line)
Supply Pressure: 11" min. to 14" max. water column (27.4 mb to 34.9 mb)
Manifold Pressure: 10" water column (24.9 mb)

ELECTRICAL SUPPLY

IMPORTANT: The cord supplied with all-burner gas rangetops requires a NEMA 5-15 receptacle as shown here. Local codes may require a different wiring method.



WARNING: This appliance is equipped with a three-prong grounding plug for protection against shock hazard and should be plugged directly into a properly grounded receptacle. DO NOT cut or remove the grounding prong from this plug. DO NOT ALTER THIS PLUG.

4 of 18

Lot 164 Roundel

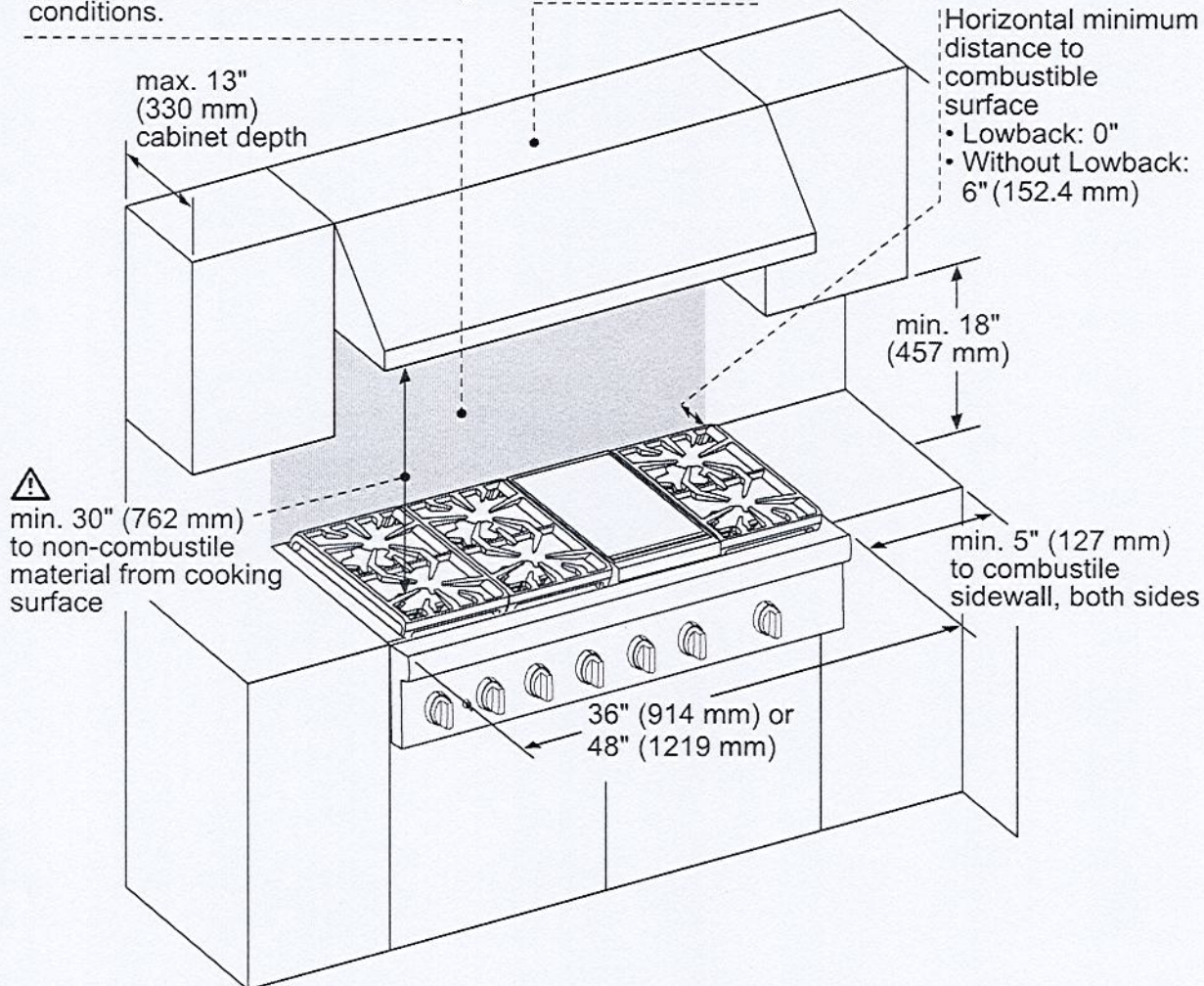
PCG366W
36-INCH GAS RANGETOP
PROFESSIONAL SERIES, PORCELAIN COOKTOP SURFACE



36-INCH RANGETOP CLEARANCES

The shaded area behind the rangetop indicates an opportunity to discolor the back wall under certain cooking conditions.

See the Ventilation Planning Guide for recommended hood options



⚠ As defined in the "National Fuel Gas Code" (ANSI Z223.1, Current Edition). Clearances from non-combustible materials are not part of the ANSI Z21.1 scope and are not certified by CSA. Clearances must be approved by the local codes and/or by the local authority having jurisdiction.

measurements in inches (mm)

NOTE: A 36-inch minimum clearance is required between the top of the cooking surface and the bottom of an unprotected cabinet. A 30-inch clearance can be used when the bottom of the wood or metal cabinet is protected by not less than 1/4 inch of a flame retardant material covered with not less than No. 28 MSG sheet steel, 0.015 inch (0.4 mm) thick stainless steel, 0.024 inch (0.6 mm) aluminum, or 0.020 inch (0.5 mm) thick copper.

These warranties give you specific legal rights and you may have other rights that vary from state to state. Full warranty and limited warranty from date of installation. For complete warranty details, refer to your Use & Care manual, or ask your dealer.

Specifications are for planning purposes only. Refer to installation instructions and consult your countertop supplier prior to making counter opening. Consult with a heating and ventilation engineer for your specific ventilation requirements. For the most detailed information, refer to installation instructions accompanying product or write to Thermador indicating the model number. Specifications are correct at time of printing. Thermador reserves the right to change product specifications or design without notice. Some models are certified for use in Canada. Thermador is not responsible for products that are transported from the U.S. for use in Canada.

1 800 735 4328 | USA THERMADOR.COM | CANADA THERMADOR.CA | ©2019 BSH HOME APPLIANCES CORPORATION. ALL RIGHTS RESERVED.

5 of 18

Lot 164 Roundel

MD24WS
24-INCH MICRODRAWER® MICROWAVE
 MASTERPIECE® & PROFESSIONAL SERIES



FEATURES & BENEFITS

- Spacious 1.2 cu. ft. interior fits a 20 oz. cup or a 13" x 9" pan
- Achieve a perfectly flush installation in any standard depth cabinetry
- Our MicroDrawer® includes a special sensor mode that controls humidity and automatically adjusts cooking level and time
- 10 cooking modes that include melt, warm and soften
- Touch "open" and "close" eliminates the need for a handle

GENERAL PROPERTIES

Cavity Color	White
Microwave Power (W)	950 W

CAPACITY

Cavity Capacity (cu. ft.)	1.2 cu. ft.
Turntable Diameter (in.)	N/A

TECHNICAL DETAILS

Watts (W)	1,500 W
Circuit Breaker (A)	15 A
Volts (V)	120 V
Frequency (Hz)	60 Hz
Plug Type	120V-3 Prong
Power Cord Length (in.)	48"

DIMENSIONS & WEIGHT

Overall Appliance Dimensions (HxWxD) (in.)	16 5/16" x 23 7/8" x 23 3/8"
Required Cutout Size (HxWxD) (in) – Standard Install	14 13/16" x 22 1/8" x 23 1/2"
Required Cutout Size (HxWxD) (in) – Flush Install	16 5/8" x 24 3/16" x 23 1/2"
Net Weight (lbs)	81 lbs.

ACCESSORIES (INCLUDED)

N/A

WARRANTY

Limited Warranty, Entire Appliance, Parts and Labor	2 Year
---	--------

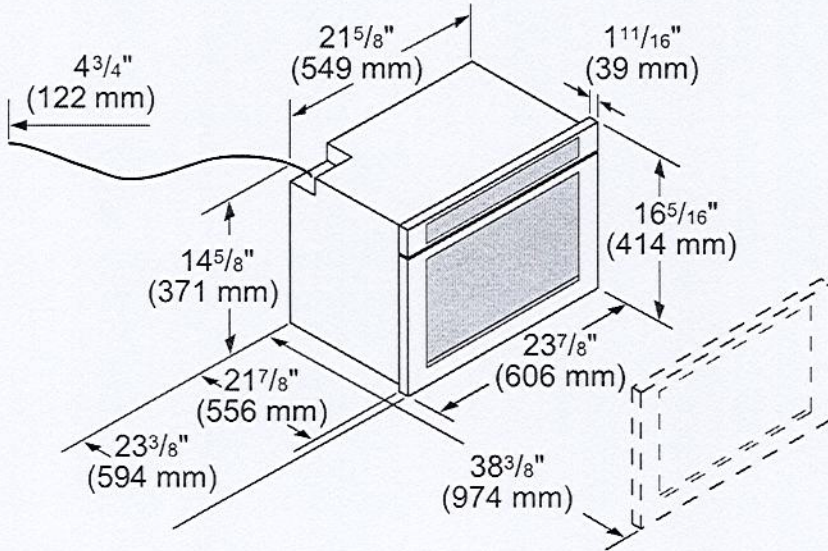
6 of 18

Lot 164 Roundel

MD24WS
24-INCH MICRODRAWER® MICROWAVE
MASTERPIECE® & PROFESSIONAL SERIES



PRODUCT DIMENSIONS



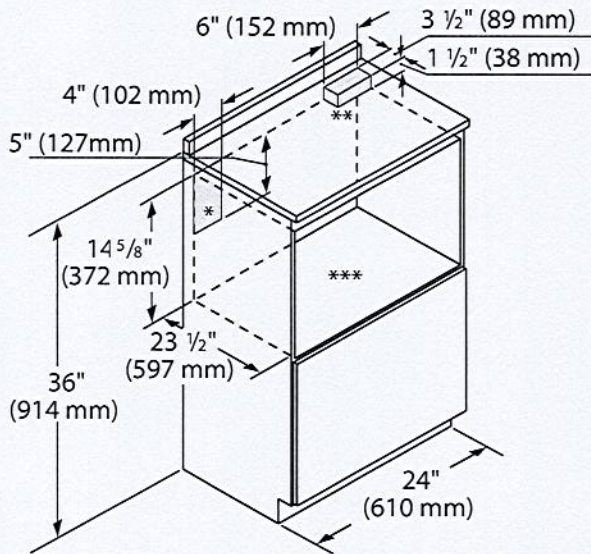
7 of 18

Lot 164 Roundel

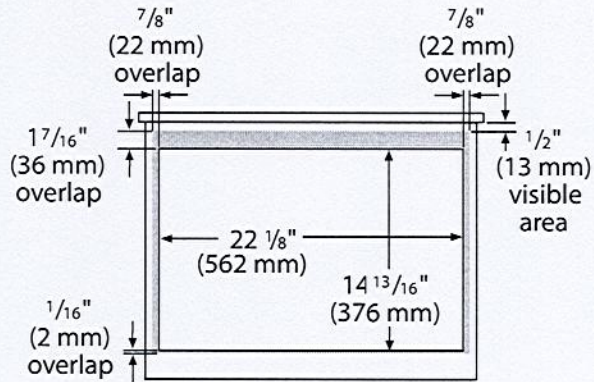
MD24WS
24-INCH MICRODRAWER® MICROWAVE
 MASTERPIECE® & PROFESSIONAL SERIES



STANDARD INSTALLATION

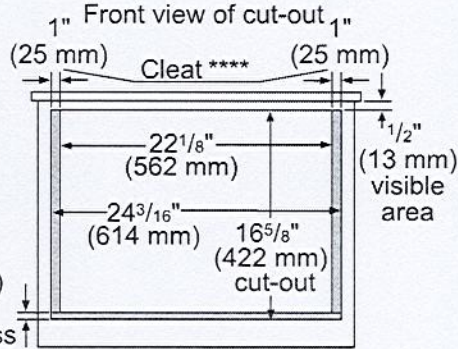
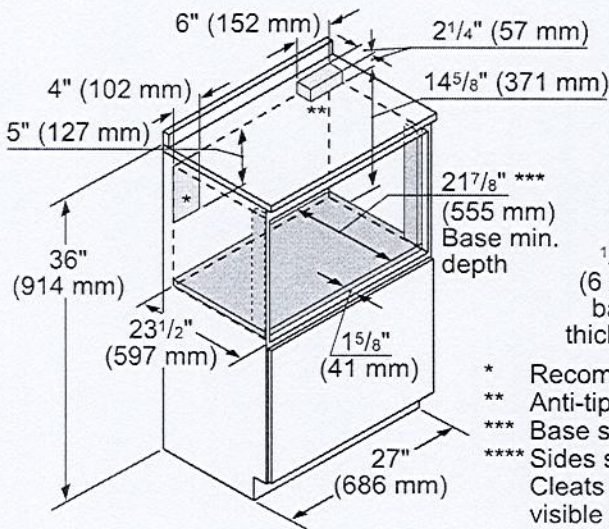


Frontview cut out



- * Suggested location of electrical outlet
- ** Anti-Tip Block
- *** Base should support up to 100 lbs

FLUSH INSTALLATION



- * Recommended location of electrical outlet
- ** Anti-tip block
- *** Base should support up to 100 lbs
- **** Sides should be finished and extend back to cleat. Cleats should also be finished, as they may be visible after installation.

These warranties give you specific legal rights and you may have other rights that vary from state to state. Full warranty and limited warranty from date of installation. For complete warranty details, refer to your Use & Care manual, or ask your dealer.

Specifications are for planning purposes only. Refer to installation instructions and consult your countertop supplier prior to making counter opening. Consult with a heating and ventilation engineer for your specific ventilation requirements. For the most detailed information, refer to installation instructions accompanying product or write to Thermador indicating the model number. Specifications are correct at time of printing. Thermador reserves the right to change product specifications or design without notice. Some models are certified for use in Canada. Thermador is not responsible for products that are transported from the U.S. for use in Canada.

1 800 735 4328 | USA THERMADOR.COM | CANADA THERMADOR.CA | ©2018 BSH HOME APPLIANCES CORPORATION. ALL RIGHTS RESERVED.

8 of 18

Lot 164 Roundel

MEDS302WS
30-INCH DOUBLE COMBINATION BUILT-IN OVEN
WITH STEAM CONVECTION
 MASTERPIECE® SERIES



FEATURES & BENEFITS

- Specially crafted gray glass on stainless steel for a luxurious look and finish
- Designed for flexibility – standard or flush installation into kitchen cabinets
- Steam and Convection Cooking provides unrivaled taste and quality – food stays moist on the inside and is perfect on the outside
- Steam and Convection Oven offers passionate cooks more cooking solutions - Broil, Steam, True Convection, Steam and Convection
- Large commercial style rotisserie with 12 pound capacity

ACCESSORIES (INCLUDED)

Upper Cavity: 3 Telescopic Racks, Multi-point Meat Probe, Broil Pan, 1 Large Pan, 1 Small Pan, 1 Small Perforated Pan; Lower Cavity: 3 Telescopic Racks, Multi-point Meat Probe, Max Broil Pan, Rotisserie

WARRANTY

Limited Warranty Parts and Labor	2 Year
----------------------------------	--------

GENERAL PROPERTIES

Heating Modes – Upper Cavity

(17) Bake, Broil, Roast, Convection Bake, Convection Broil, Convection Roast, Steam Convection, Defrost, Proof, Warm, Pizza, True Convection, Dehydrate, Speed Convection, Slow Roast, Steam, Reheat, Steam Auto Programs

Heating Modes – Lower Cavity

(16) Bake, Broil, Max Broil, Roast, Convection Bake, Convection Broil, Max Convection Broil, Convection Roast, Proof, Warm, Pizza, True Convection, Dehydrate, Speed Convection, Slow Roast, Rotisserie

Sabbath	Yes
Cleaning Type	Upper Cavity: Easy Clean, Ecolytic Clean Lower Cavity: Easy Clean and Self Clean
Telescopic Rack(s)	6
Illumination Type	Upper Cavity: LED Lower Cavity: Halogen
Interior Lights	Upper Cavity: 3 – 1 Top, 2-Sides Lower Cavity: 2 – Sides with 2 Bulbs Each
Home Connect (Wi-Fi Enabled)	Yes, Upper & Lower

OVEN PERFORMANCE

Bake / Broil Element	Upper Cavity: 1,420 W / 3,050 W Lower Cavity: 2,400 / 1,000/3,800 W
Convection Element	Upper Cavity: 2,300 W Lower Cavity: 2,000 W

TECHNICAL DETAILS

Watts	9,200 W
Circuit Breaker	40 A
Volts; Frequency	240 / 208 V; 60 Hz
Plug Type	Fixed Connection, No Plug
Conduit	60" 4-Wire
Energy Source	Electric

DIMENSIONS & WEIGHT

Overall Appliance Dimensions (HxWxD)	48 7/8" x 29 3/4" x 24 1/2"
Trim Overlaps (Top – Sides – Bottom)	3/8" to 1 5/16" – 9/16" – 0"
Required Cutout Size (HxWxD) – Standard	47 3/8"- 48 1/8" x 28 1/2" x 23 1/2"
Required Cutout Size (HxWxD) – Flush	49" x 30" x 24 1/2"
Steam Convection Oven Capacity	2.8 cu. ft.
Oven Capacity	4.5 cu. ft.
Overall Oven Interior Dimensions (HxWxD)	Upper Cavity: 14 1/2" x 18 7/8" x 17 3/8" Lower Cavity: 17 3/4" x 24" x 17 7/8"
Usable Oven Interior Dimensions (HxWxD)	Upper Cavity: 11 1/2" x 15 1/2" x 15 5/8" Lower Cavity: 13 1/2" x 21 5/8" x 16 1/4"
Net Weight	333 lbs

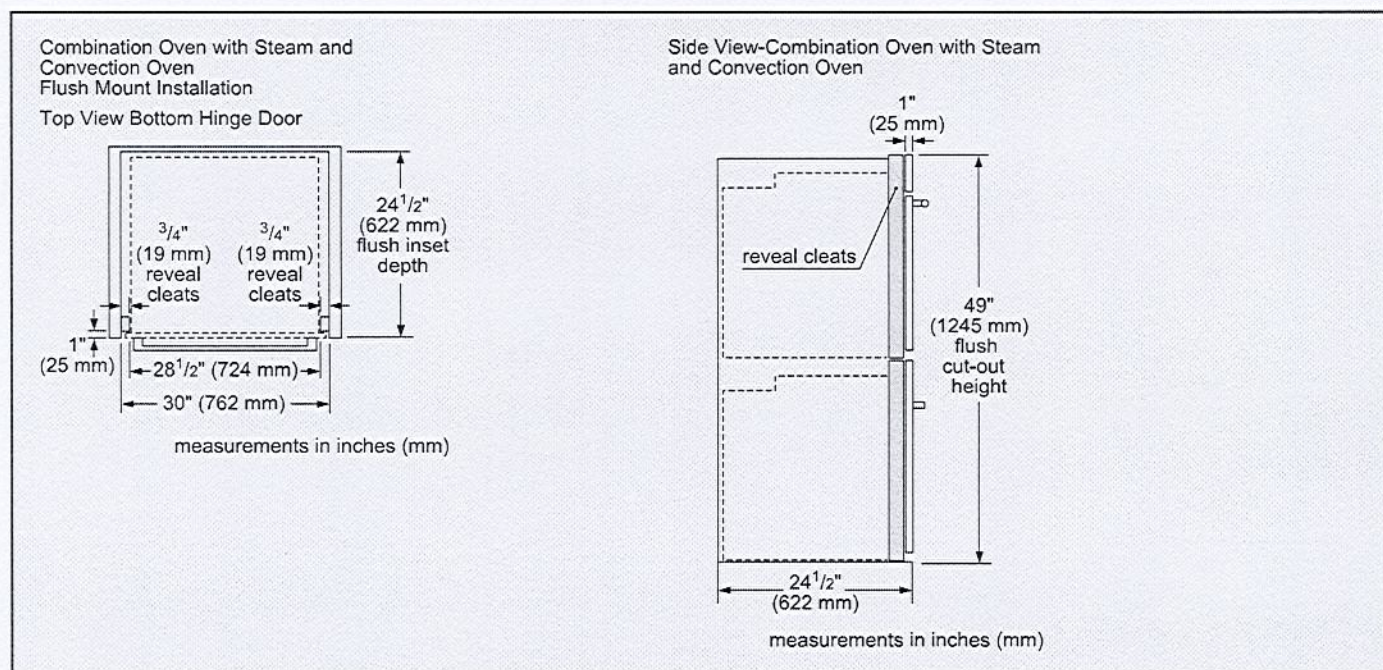
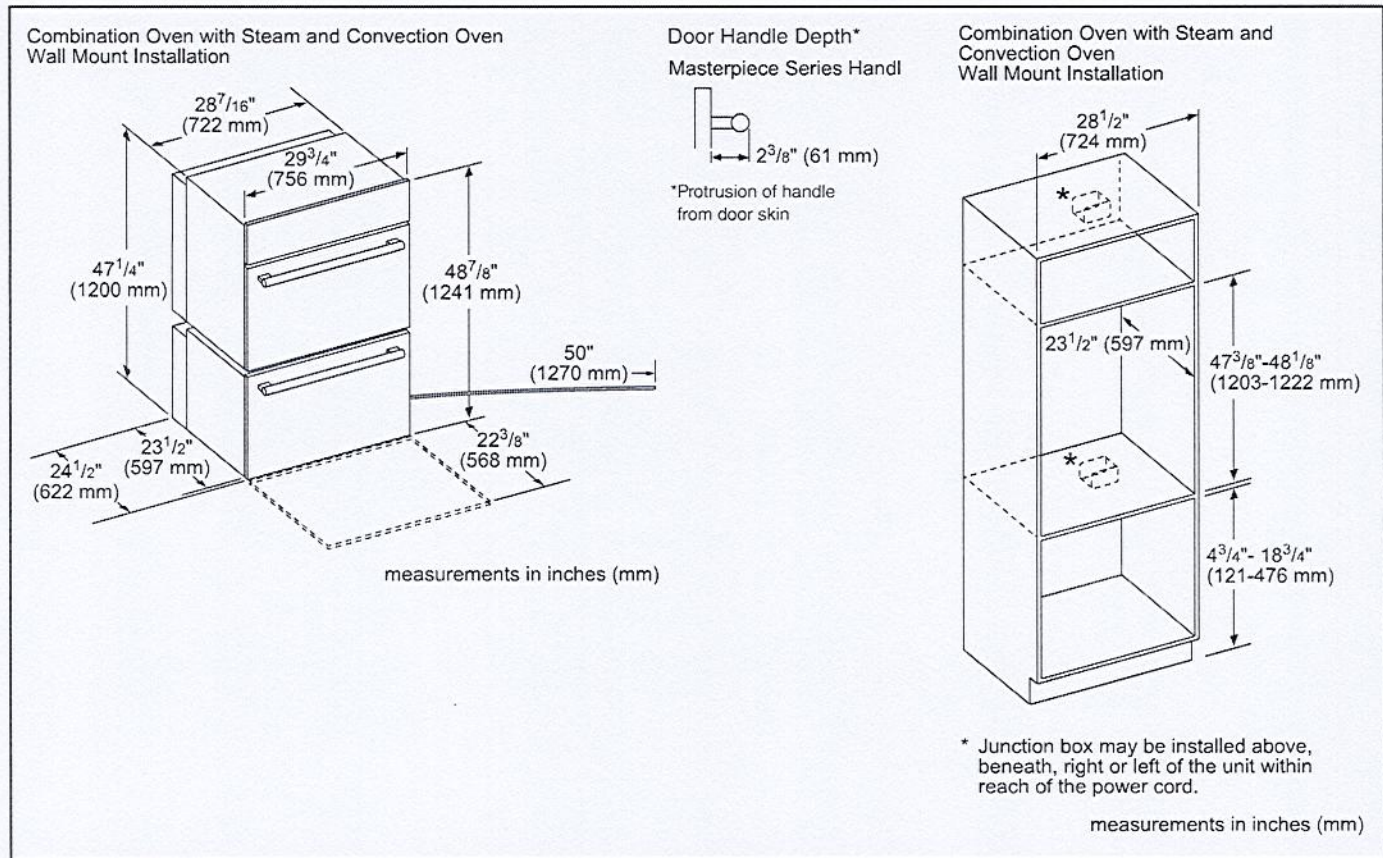
9 of 18

164 Roundel

MEDS302WS
30-INCH DOUBLE COMBINATION BUILT-IN OVEN
WITH STEAM CONVECTION
 MASTERPIECE® SERIES



30-INCH DOUBLE COMBINATION OVEN



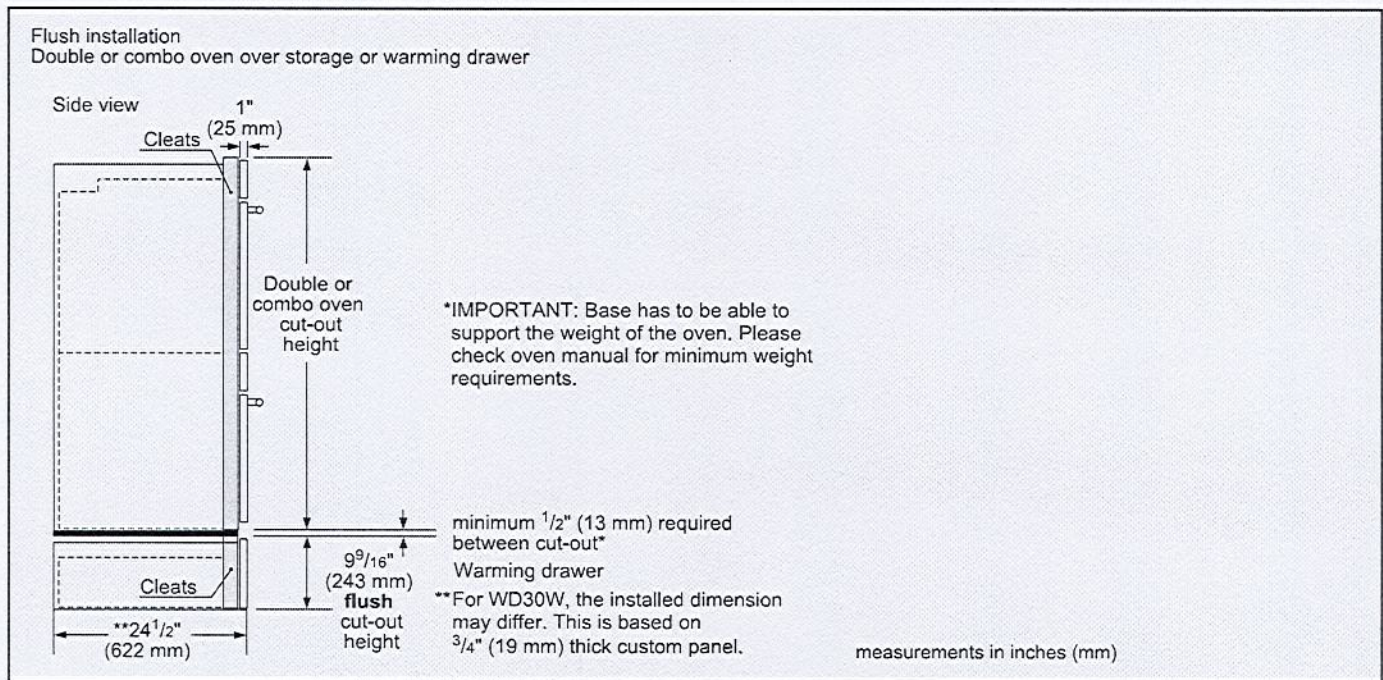
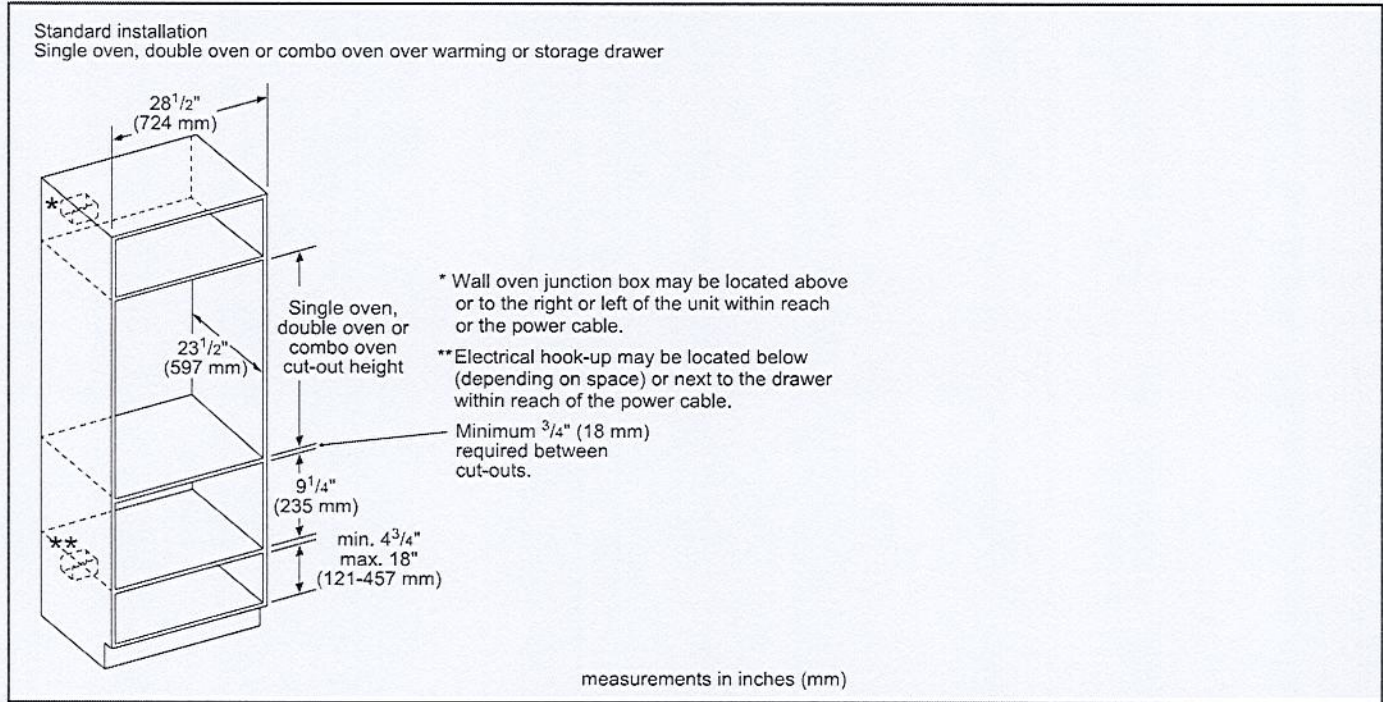
10 of 18

Lot 164 Roundel

MEDS302WS
30-INCH DOUBLE COMBINATION BUILT-IN OVEN
WITH STEAM CONVECTION
 MASTERPIECE® SERIES



INSTALLATION DETAILS



These warranties give you specific legal rights and you may have other rights that vary from state to state. Full warranty and limited warranty from date of installation. For complete warranty details, refer to your Use & Care manual, or ask your dealer.

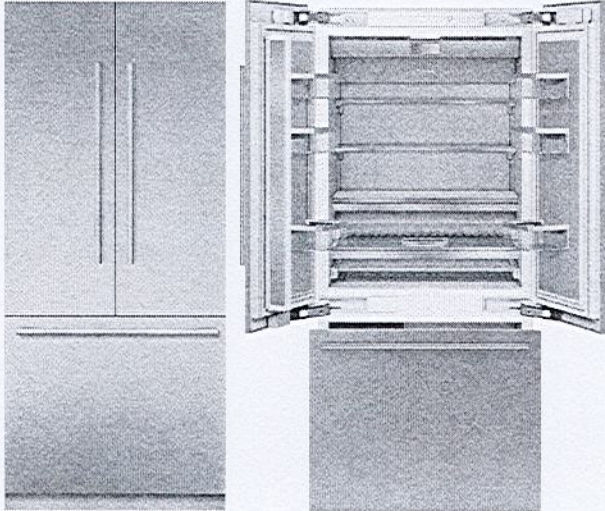
Specifications are for planning purposes only. Refer to installation instructions and consult your countertop supplier prior to making counter opening. Consult with a heating and ventilation engineer for your specific ventilation requirements. For the most detailed information, refer to installation instructions accompanying product or write to Thermador indicating the model number. Specifications are correct at time of printing. Thermador reserves the right to change product specifications or design without notice. Some models are certified for use in Canada. Thermador is not responsible for products that are transported from the U.S. for use in Canada.

1 800 735 4328 | USA THERMADOR.COM | CANADA THERMADOR.CA | ©2018 BSH HOME APPLIANCES CORPORATION. ALL RIGHTS RESERVED.

11 of 18

Lot 164 Roundel

T36BT915NS
36-INCH STAINLESS STEEL BUILT-IN FRENCH
DOOR BOTTOM FREEZER, PRE-ASSEMBLED
 FREEDOM® COLLECTION, MASTERPIECE® SERIES HANDLES



Also Available In:
 T36BT925NS – Professional Series Handles

FEATURES & BENEFITS

- Full Stainless Steel Inner Liner
- Freedom® Hinge enables true flush design
- Auto Door Opening provides the opening of the door with just a slight push or pull
- ThermaFresh System, Humidity and Temperature controlled drawers
- SoftClose® Drawers for easy and controlled storage
- Sleek clean design for the perfect symmetry when paired with additional columns
- TFT control panel managing all your columns functions

TEMPERATURE RANGES

Refrigerator	36°F (2°C) to 46°F (8°C)
SuperCool	36°F (2°C) for approximately 6 hours
Energy Saving (Economy) Mode	Refrigerator: 45°F (7°C) Freezer: 3°F (-16°C)
Freezer	-11°F (-24°C) to 7°F (-14°C)
SuperFreeze®	-22°F (-30°C) for approximately 52 hours

GENERAL PROPERTIES

Home Connect™ (Wi-Fi Enabled)	Yes
Reversible Door Swing	No
SoftClose® Door	Yes
SoftClose® Drawers	Yes
Carbon Air Filter	Yes
Lighting	LED Sidewall and Theater Lighting
Refrigerator Shelves	3
Adjustable Shelves – Refrigerator	2
Shelf Material	Glass w/Aluminum Profile
Full Extension Drawers @ 115° Door Opening Angle	Yes
Full Extension Drawers @ 90° Door Opening Angle	Yes
Adjustable Temperature Drawer	1
Humidity Managed Drawer	1
Door Bins – Refrigerator	4
Gallon Door Bins – Refrigerator	2
Defrost Process – Freezer	Frost-Free
Freezer Baskets	2
Ice Maker with Diamond Ice System	Yes
Door Open Alarms	Yes
Open Door Assist	Yes
SuperCool	Yes
SuperFreeze®	Yes
Special Modes	Sabbath, Economy, Vacation

CAPACITY

Total Capacity (cu. ft.)	19.4 cu. ft.
Refrigerator Capacity (cu. ft.)	13.9 cu. ft.
Freezer Capacity (cu. ft.)	5.5 cu. ft.

TECHNICAL DETAILS

Watts (W)	350 W
Current (A)	15 A
Volts (V)	110-120 V
Frequency (Hz)	60 Hz
Power Cord Length (in.)	118
Plug Type	120V-3 Prong

DIMENSIONS & WEIGHT

Appliance Dimensions (H x W x D) (in.)	83 3/4" x 35 3/4" x 24 3/4"
Required Cutout Size (H x W x D) (in.)	84" x 36" x 25"
Net / Gross Weight (lbs)	551 / 598 lbs

EFFICIENCY

ENERGY STAR® Qualified	Yes
Annual Energy Consumption	579 kWh

*Height adjustable + / -1/2" (+ / -13 mm)

12 of 18

Lot 164 Roundel

T36BT915NS
36-INCH STAINLESS STEEL BUILT-IN FRENCH
DOOR BOTTOM FREEZER, PRE-ASSEMBLED
 FREEDOM® COLLECTION, MASTERPIECE® SERIES HANDLES

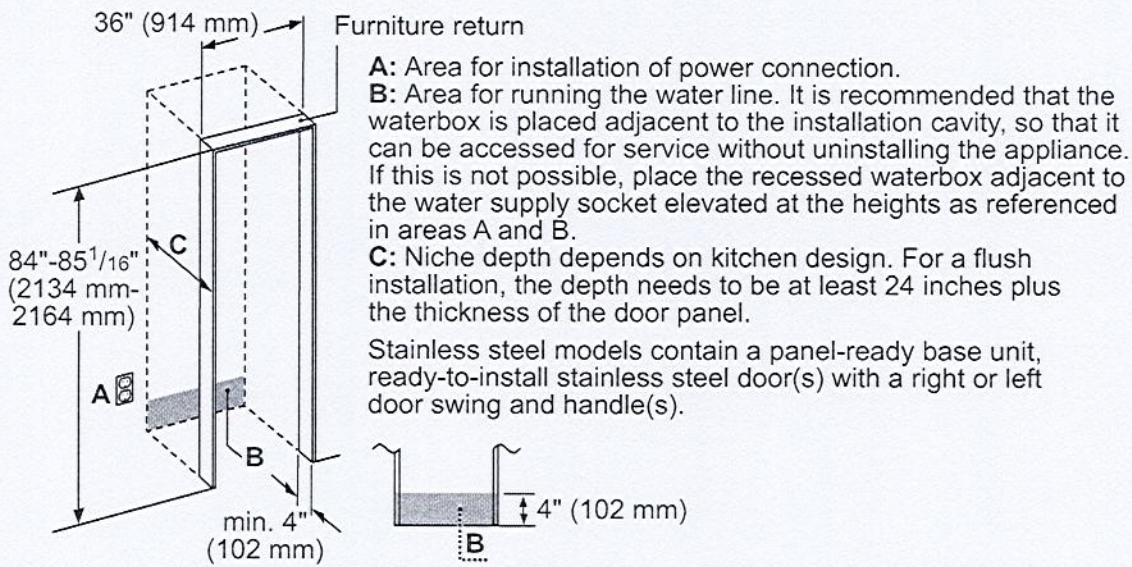


WARRANTY

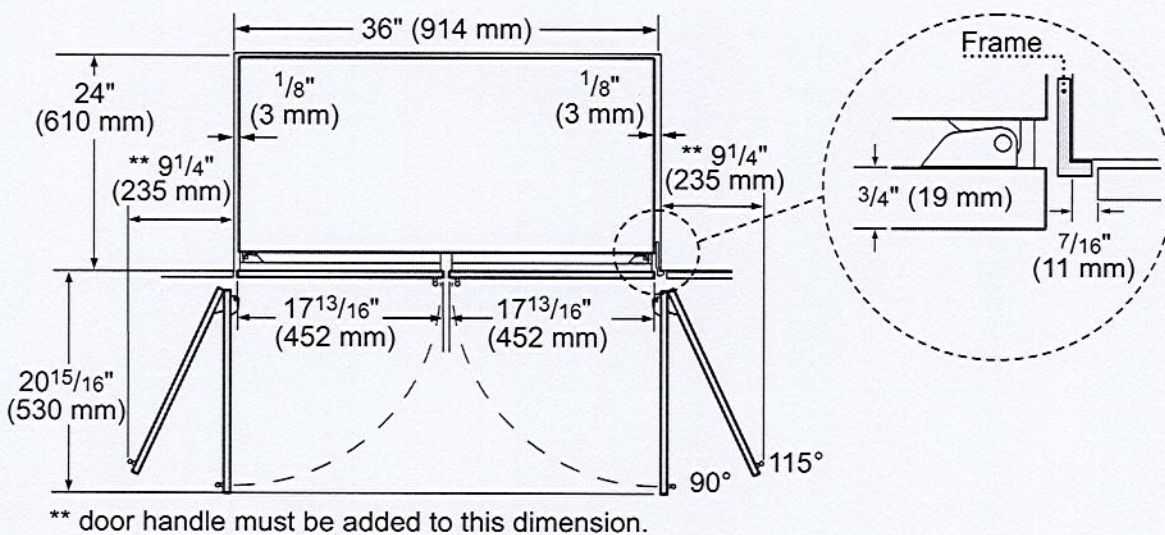
Limited, Entire Appliance, Parts and Labor on Any Part of the Refrigerator that Fails Because of a Manufacturing Defect	2 Year
Limited Warranty for Sealed Refrigeration System*; Parts and Labor	3rd to 6th Year
Limited Warranty for Sealed Refrigeration System*; Parts Only	7th to 12th Year
Limited Warranty for Stainless Steel Rust-Through	Lifetime

*Sealed refrigeration system includes compressor, evaporator, condenser, dryer / strainer and connection tubing

CUTOUT DIMENSIONS



TOP VIEW CLEARANCE



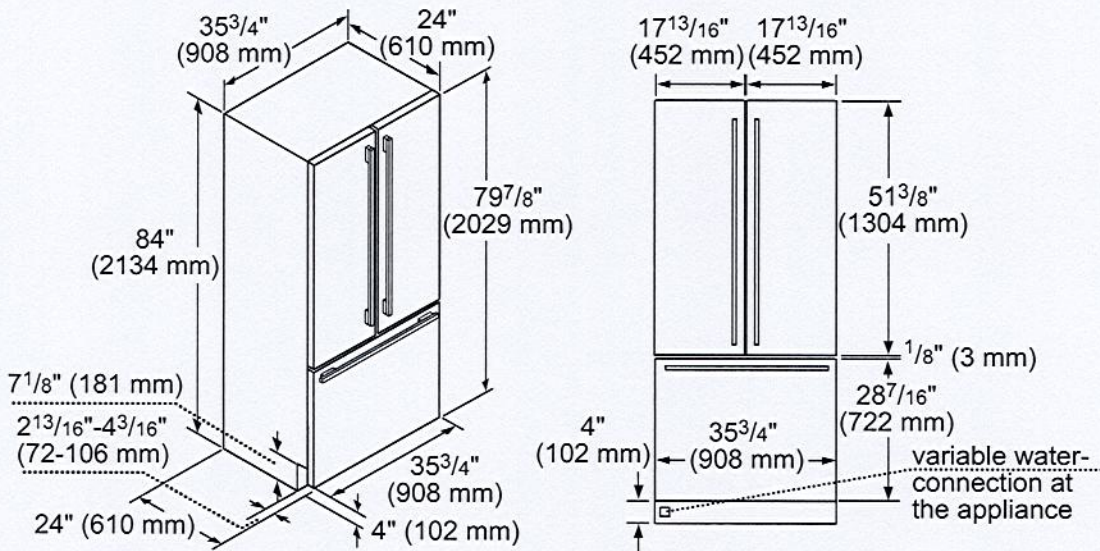
13 of 18

Lot 164 Roundel

T36BT915NS
36-INCH STAINLESS STEEL BUILT-IN FRENCH
DOOR BOTTOM FREEZER, PRE-ASSEMBLED
 FREEDOM® COLLECTION, MASTERPIECE® SERIES HANDLES



PRODUCT AND PANEL DIMENSIONS



ACCESSORIES (OPTIONAL)

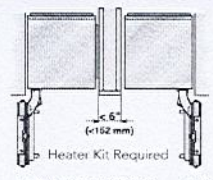
STORAGE

-  **3DHFGALBIN**
French Door Half Gallon Bin
-  **SPRODBIN10**
Small Produce Bin
-  **3DPRODRAIL**
French Door Produce Railing

FILTERS

-  **REPLFLTR55**
Freedom® Water Filter
Replacement water filter for use in all freezer and bottom freezer models

FRAMEKIT10
 Freedom® Frame Kit
 For any custom column installation in 24-inch deep cutouts. With two metal side trims whose placement between the interior cutout wall and the appliance helps overcome the challenge of unfinished cabinet returns.



HEATRKIT20 - 13W @ 120V
 Freedom® Heater Kit
 When two appliances are installed side-by-side a sealing kit must be used. For combinations that involve a freezer column, this sealing kit is included. For all other (non-traditional, i.e. two wine columns, two bottom freezers, etc.) side-by-side combinations or instances where any appliances are installed less than 6-inches (152 mm) apart from one another but not connected side-by-side, purchase this kit. This kit is recommended for use with any installation in areas that are subject to humidity, or located next to an outside wall.

These warranties give you specific legal rights and you may have other rights that vary from state to state. Limited warranty from date of purchase. For complete warranty details, refer to your Use & Care manual, or ask your dealer.

Specifications are for planning purposes only. Refer to installation instructions and consult your countertop supplier prior to making counter opening. Consult with a heating and ventilation engineer for your specific ventilation requirements. For the most detailed information, refer to installation instructions accompanying product or write to Thermador indicating the model number. Specifications are correct at time of printing. Thermador reserves the right to change product specifications or design without notice. Some models are certified for use in Canada. Thermador is not responsible for products that are transported from the U.S. for use in Canada.

1 800 735 4328 | USA THERMADOR.COM | CANADA THERMADOR.CA | ©2021 BSH HOME APPLIANCES CORPORATION. ALL RIGHTS RESERVED.

14 of 18

Lot 164 Roundel

KitchenAid®

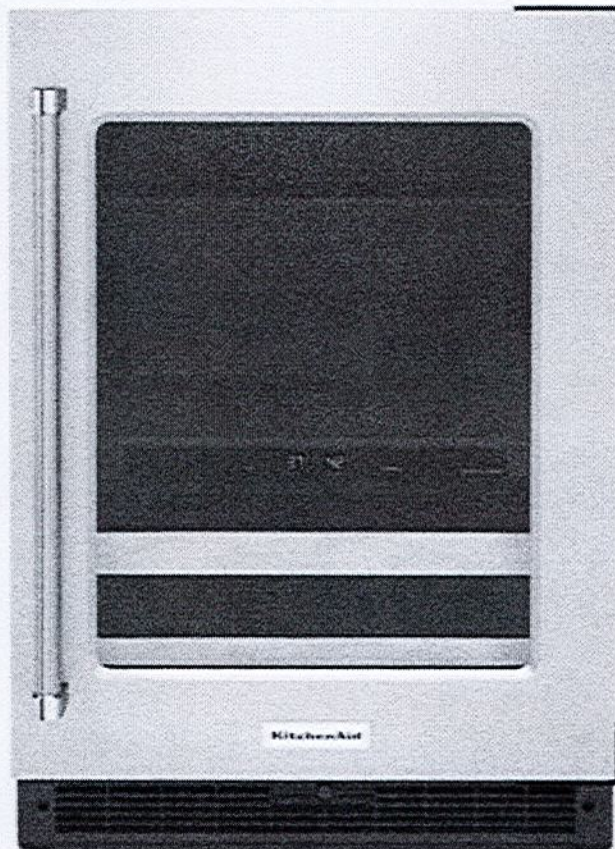
24" Beverage Center with Glass Door and Wood-Front Racks

Model: **KUBR214KSB**

This Undercounter Beverage Center with Full-Extension Wood-Front Racks holds 14 wine bottles below with room for drinks and food on the full-width shelves above. Separate temperature controls for the two zones adjust for what you're storing, and a Temperature Monitoring System with sensor alert adds peace of mind. Fully Flush Installation with Hidden Hinges provides a built-in look within cabinetry.

Key Features

- Fully Flush Installation with Hidden Hinges
- Two Temperature-Controlled Zones
- Temperature Monitoring System
- Motion-Activated LED Lighting
- SatinGlide® Full-Extension Wood-Front Racks



Lot 164 Roundel

Specifications

Controls

Auto Defrost	Yes
Control Location	Interior
Control Lockout	Yes
Control Type	Light-Guided Capacitive Touch
Cooling On/Off	Yes
Door Ajar/Open Alarm	Yes
Ice Maker On/Off	No
Max Cool/Fast Cool	No
Number of Temperature Controlled Zones	2
Sabbath Mode	Yes
Water Filter Indicator/Reset	No

Description

Type of Refrigerator	Beverage Center
----------------------	-----------------

Dimensions

Cabinet Width	6064.25 cm, 23-7/8 in
Capacity	1383.87 l, 4.89 cu. ft.
Cutout Width	6064.25 cm, 23-7/8 in
Depth Closed Excluding Handles	6000.75 cm, 23-5/8 in
Depth Closed Including Handles	6715.12 cm, 26-7/16 in
Depth With Door Open 90 Degree	12192.00 cm, 48.0 in
Height To Top Of Cabinet	8675.69 cm, 34.15625 in
Height To Top Of Door Hinge	8731.25 cm, 34-3/8 in

Exterior

Cabinet Color	Black
Cabinet Finish	Textured
Door Color	Stainless Steel
Handle Location	Vertical
Handle Material	Metal
Handle Type	Reach-Through Handle
Reversible Door	No
Window	Yes

Details

Interior Light	LED
Liner Finish	Plastic
Number of Racks	2
Number of Shelves	2
Rack Front Material	Wood
Shelf Description	1 Fixed Full Depth Shelf, 1 Fixed Half Depth Shelf
Zone 1 Description	Upper
Zone 1 Temperature Range	33F to 40F
Zone 2 Capacity	14 Bottles
Zone 2 Description	Lower
Zone 2 Temperature Range	42F to 64F
Certifications	
CEE Tier	Not Rated
Energy Star® Qualified	No
Prop 65	CALIFORNIA RESIDENTS ONLY - WARNING: Cancer and Reproductive Harm - www.P65Warnings.ca.gov
Star K Certified	Yes
UL	Yes
Electrical	
Ampe res	15
Volts	115

16 of 18

Lot 164 Roundel

DWHD560CFM
EMERALD® 5-PROGRAM DISHWASHER
 MASTERPIECE® SERIES HANDLE



Home Connect

Also Available In:
 DWHD560CFP – Flat Stainless Steel Panel with Professional Series Handle
 DWHD560CPR – Custom Panel

FEATURES & BENEFITS

- Chef's Tool Drawer (3rd Rack) is designed to make loading and unloading tools and hard to place items extraordinarily easier
- Sens-A-Wash® measures water cleanliness and adjusts wash cycle
- Three stage advanced filtration recirculates water for sparkling results
- 3-Level adjustable upper rack is customizable for all of your needs, designed to be raised for extra large items placed on the bottom rack, or lowered to fit taller wine glasses on the upper rack
- Extra Dry Option adds extra heat to the final rinse to enhance drying results
- Impressively Quiet® — 48 dBA for peaceful kitchen experience
- Thermador connected experience by Home Connect enables exclusive dishwasher features and appliance interaction through app, voice, smartwatch and more

GENERAL PROPERTIES

Number Of Wash Cycles	5
Number Of Options	6
NSF®-Certified* Sanitize Option	Yes
dBA	48
Third Rack	Chef's Tool Drawer®
Rack Adjustability	Rackmatic 3-Stage
Tub Material	Stainless Steel
Control Type	Touch Control
Concealed Water Heating Element	Yes
Leak Protection System	24/7 AquaStop®
Water Softener	No
Five-Level Wash	Yes
Childlock	No
Home Connect (Wi-Fi Enabled)	Yes

EFFICIENCY

Water Usage Per Cycle	3.5 g
Energy Efficiency Class	Tier 1
ENERGY STAR® Certified	No
Total Annual Energy Consumption	269 kWh
Total Annual Water Consumption	624 g

CAPACITY

Number Of Place Settings	16
--------------------------	----

TECHNICAL DETAILS

Watts	1,440 W
Current	12 A
Volts	120 V
Frequency	60 Hz
Power Cord Length	67"
Power Cord Install Length from Corner of Unit when Facing the Door	Left - 45" Right - 56"
Minimum Water Pressure	14 (lb/sin)
Max. Temperature for Water Intake	140° F
Length Inlet Hose	N/A
Length Outlet Hose	79"

DIMENSIONS & WEIGHT

Overall Appliance Dimensions (HxWxD)	33 7/8" x 23 9/16" x 23 3/4"
Required Cutout Size (HxWxD)	33 7/8" Min. x 24" Min. x 24"
Adjustable Feet	Yes
Net Weight	92 lbs

*Certification to NSF/ANSI Standard 184 for residential dishwashers

17 of 18

Lot 164 Roundel

DWHD560CFM
EMERALD® 5-PROGRAM DISHWASHER
 MASTERPIECE® SERIES HANDLE

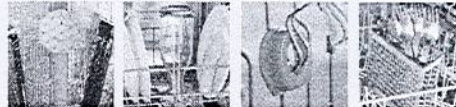


WARRANTY

Limited Warranty, Entire Appliance, Parts and Labor	2 Year
Limited Warranty for Microprocessor or Printed Circuit Board; Parts Only	3rd to 5th Year
Limited Warranty for Racks (Does Not Include Rack Components); Parts Only	3rd to 5th Year
Limited Warranty for Rust-through On Inner Tub Liner; Parts Only	Lifetime

ACCESSORIES (OPTIONAL)

Dishwasher Installation Kit (Junction Box, 90° Elbow and Water Supply Hose)	SMZ3IN1UC
Dishwasher Supply and Drainage Hose Extension 76 3/4"	SGZ1010UC
Junction Box	SMZPCJB1UC
Cabinet Protector with Power Cord Clip	SMZEPCC1UC
Water supply hose	SMZSH002UC
Dishwasher Accessory Kit**	SMZ5000
Duo Silverware basket	SMZ4000UC
Fine Silverware Carafe	SMZ5002UC

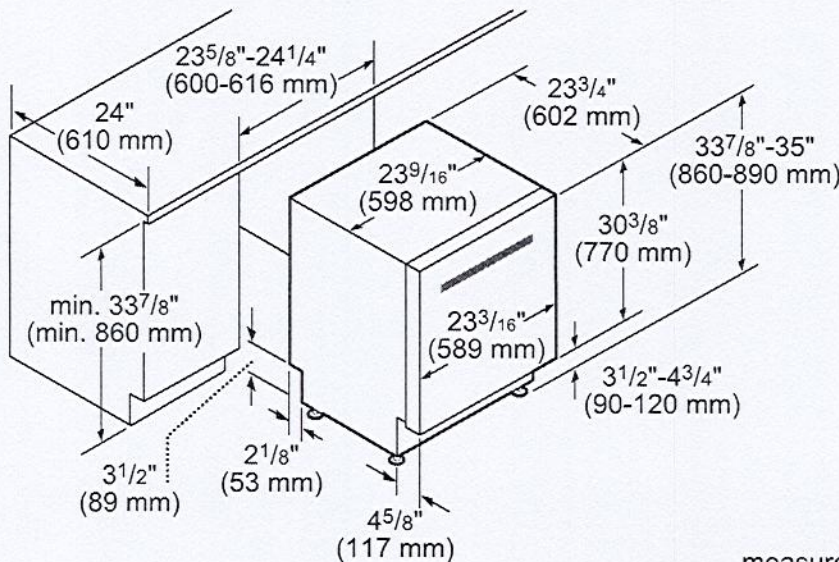


**Accessory Kit includes Extra-Tall-Item Sprinkler, Vase / Bottle Holder, 3 Plastic Item Clips and Small Item Basket



Fine Silverware Carafe

DISHWASHER & CUTOUT DIMENSIONS



measurements in inches and mm

These warranties give you specific legal rights and you may have other rights that vary from state to state. Limited warranty from date of purchase. For complete warranty details, refer to your Use & Care manual, or ask your dealer.

Specifications are for planning purposes only. Refer to installation instructions and consult your countertop supplier prior to making counter opening. Consult with a heating and ventilation engineer for your specific ventilation requirements. For the most detailed information, refer to installation instructions accompanying product or write to Thermador indicating the model number. Specifications are correct at time of printing. Thermador reserves the right to change product specifications or design without notice. Some models are certified for use in Canada. Thermador is not responsible for products that are transported from the U.S. for use in Canada.

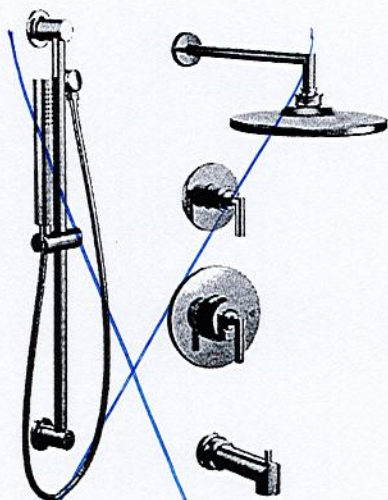
1 800 735 4328 | USA THERMADOR.COM | CANADA THERMADOR.CA | ©2022 BSH HOME APPLIANCES CORPORATION. ALL RIGHTS RESERVED.

18 of 18

Lot 164 Roundel

Arris®

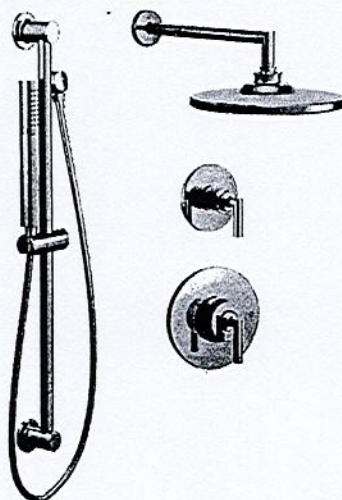
POSI-TEMP®



Posi-Temp® Tub/Shower Faucet with 3 Function Transfer Valve/Trim and Slide Bar with Hand Shower*

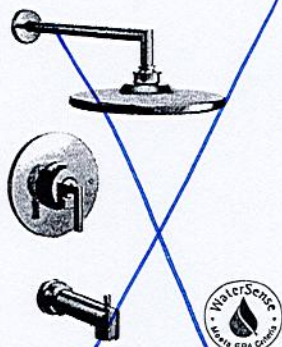
TS22003EP / U361CI / UTS23005 / 62320 / 3887EP / A725

Primary Ensuite



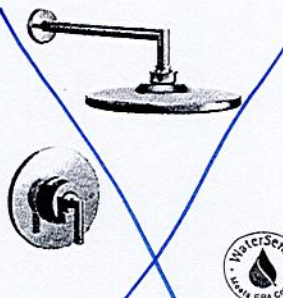
Posi-Temp® Shower Only with 3 Function Transfer Valve/Trim and Slide Bar with Hand Shower*

TS22002EP / U361CI / UTS23005 / 62320 / 3887EP / A725



Eco-Performance Posi-Temp® Tub/Shower Faucet*

TS22003EP / 62320



Eco-Performance Posi-Temp® Shower Only*

TS22002EP / 62320

ARRIS FINISH OPTIONS



Chrome, Lifeshine® Brushed Nickel (BN), Matte Black (BL)

To order, combine the model number with one of these finish letter(s). Lifeshine® Brushed Nickel (BN) & Matte Black (BL). To order Chrome (C) model, use model number only.

* Refer to the Shower Design Guide for Installation Instructions