

PRE-Sales Selection Sheet
Checklist

of 38

LOT 189B-13 Model: 20-1456 B The Hampton
PURCHASERS: ANKA KRIZMANIC/
VENDOR: Heathwood Homes (Huron) Limited

- FINISHED BASEMENT
- COLD CELLAR

UPGRADED / MODIFIED ELEVATION

- CORNER UPGRADE
- REAR UPGRADE

CEILING UPGRADE - SMOOTH

- MAIN FLOOR
- SECOND FLOOR
- BASEMENT

ADDITIONAL ROUGH-INS

- 200 AMP SERVICE
- WET BAR ROUGH-IN
- HUMIDIFIER
- AIR CONDITIONING

GAS ROUGH-IN

- STOVE
- DRYER
- BBQ
- ADDITIONAL FIREPLACE

KITCHEN: HOODFAN VENTING SIZE

- 6 IN ROUND DUCT
- 7 IN ROUND DUCT

FULL BASEMENT STAIRS: N/A

UPPER BASEMENT STAIRS: All Oak

LOWER BASEMENT STAIRS: Carpet Grade

MAIN STAIRS: All Oak

MEDIA STAIRS (if applicable): N/A

LOFT STAIRS (if applicable): N/A

Date: Dec 31/19 Purchaser: Signature on file

Date: Dec 31/19

Decor Consultant:

APPROVED

M. Loan

Date Purchaser:

Date Approved

Heathwood Homes (Huron) Limited

Locked Date:



Sales Selection Sheet

Wallaceton

2 of 38

TEL: RES.: 905-945-6533

SCHEDULE E

LOT / UNIT 189B-13	PHASE 1	MODEL 20-1456 B The Hampton
-----------------------	------------	--------------------------------

It is herein understood and agreed between the undersigned parties hereto that the following changes shall be made to the above mentioned Agreement of Purchase and Sale in accordance with the agreement and except for such changes noted below, all other terms and conditions in the Agreement of Purchase and Sale shall remain as stated herein: It is further understood that and agreed that all changes and additions shall be installed as per builder's specifications, location and available selections. The Purchaser hereby agrees to purchase the following extras:

APPLIANCES

1	SCHEDULE E: FIVE APPLIANCES: SS FRIDGE, STOVE, DISHWASHER, WHITE FRONT LOAD WASHER/DRYER - TOWNHOMES	Qty: 1
16,847	Note:	

Sub Total
HST
Total

1. This Sales Selection Sheet when properly executed forms part of our Agreement of Purchase and Sale.
2. All extras and upgrades listed above are subject to Construction Progress and Architectural and Municipal requirements.
3. In the event the Vendor is unable to incorporate the work approved above in the construction of the house for any reason whatsoever, the Vendor will not be liable to the Purchaser in any way. The monies paid for any changes or optional extras not proceeded with shall be returned to the Purchaser, without interest. The cost of options or extras is non-refundable in all other circumstances. If for any reason whatsoever the Agreement of Purchase and Sale is not completed, the total cost of work approved above will be retained by the Vendor.
4. The Vendor reserves the right to substitute above materials and equipment with that of equal or better quality.
5. Purchaser acknowledges that items may not be exactly as shown. Variations from the Vendor's samples may occur in finished materials due to normal production processes. Vendor is not responsible for shade difference which may occur from different dye lots or wood grains. Variations from the Vendor's samples will occur with natural materials such as wood, marble, granite, hardwood and brick.
6. The Vendor reserves the right to select Grout & Thresholds that best suits the Tile selected.
7. Selections will not be processed unless signed by Heathwood Homes Head Office.
8. The selections made on this schedule are final and cannot be changed once submitted.
9. The Purchaser has checked and acknowledges the accuracy of this schedule.

Payment Summary	Amount
Paid By	
Total Payment:	

PURCHASER: Signature on file ANKA KRIZMANIC 31-Oct-19 DATE BRENDA LUKER Decor Consultant 31-Oct-19 DATE

APPROVED

M. Lam

Date Approved Heathwood Homes (Huron) Limited

TAX#:1

PREPARED BY: Marilyn Rosen

PE 138-1

Sl\invoice.rpt 28may19

Customer Colours

ANKA KRIZMANIC/
 Project: Wallaceston
 Unit: 189B-13, Phase: 1
 Model: 20-1456 B The Hampton


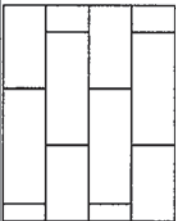
Created: 9/26/2019 09:18:49

Locked:


Closed:

3 of 38

Kitchen

Cabinet Colour/Style	6289	Viking III-TORONTO-TIMBERLAKE CL-MAPLE ***STD***
Countertop	7820	Group 1-Granite-NEW CALEDONIA-3/4 inch ***STD***
Countertop Edge	4010	SINGLE POLISHED STRAIGHT EDGE 3/4 INCH ***STD*** 
Cabinet Hardware	2091	9660-HARDWARE ***STD***
Island Cabinet Colour/Style	6289	Viking III-TORONTO-TIMBERLAKE CL-MAPLE ***STD***
Island Countertop	7820	Group 1-Granite-NEW CALEDONIA-3/4 inch ***STD***
Backsplash	5721	QT.CD.ARW.0306.BR-Colour and Dimension Bright-Arcctic White-3 x 6 ***STD***
Backsplash Grout	2226	Grout-(00) White ***STD***
Backsplash Tile Pattern	3060	HORIZONTAL BRICK ***STD*** 
HoodFan	3060	AV1308 Air King 30 <p style="text-align: center;">Page 22</p>
Appliance	3060	Purchasers have been advised: standard fridge opening is a minimum 37 3/8 x 73 3/8". Ice Waterline Rough-In is included.
Appliance	3060	Standard stove opening is 30" and standard dishwasher opening is 24". Any gas stove will require backsplash or stainless steel backing to avoid fire hazards.
Appliance	3060	Purchasers acknowledge: Heathwood Homes and its contractors will not be responsible for any kitchen cabinet changes due to appliances dimension changes after
Comment		

Kitchen/Breakfast

Flooring	8228	GE.NA.TPE.1313-New Albion-Taupe-13 x 13 ***STD***
Floor Tile Grout	2224	Grout-(44) Pale Umber ***STD***
Floor Tile Pattern	3000	STANDARD SQUARE ***STD*** 

AK

Customer Colours

ANKA KRIZMANIC/
Project: Wallaceon
Unit: 189B-13, Phase: 1
Model: 20-1456 B The Hampton

Created: 9/26/2019 09:18:49

Locked:

Closed:

4 OF 38

Comment

Hall

Flooring

7499

Red Oak Pearl-Vintage Engineered-HAZELNUT-3/4 inch x 3 1/4 inch ***STD***

Comment

Foyer

Flooring

8228

GE.NA.TPE.1313-New Albion-Taupe-13 x 13 ***STD***

Floor Tile Grout

2224

Grout-(44) Pale Umber ***STD***

Floor Tile Pattern

3000

STANDARD SQUARE ***STD***

Comment

Mud Room

Flooring

8228

GE.NA.TPE.1313-New Albion-Taupe-13 x 13 ***STD***

Floor Tile Grout

2224

Grout-(44) Pale Umber ***STD***

Floor Tile Pattern

3000

STANDARD SQUARE ***STD***

Comment

Powder Room

Flooring

8228

GE.NA.TPE.1313-New Albion-Taupe-13 x 13 ***STD***

Floor Tile Grout

2224

Grout-(44) Pale Umber ***STD***

Customer Colours

66

ANKA KRIZMANIC/
Project: Wallaceton
Unit: 189B-13, Phase: 1
Model: 20-1456 B The Hampton

Created: 9/26/2019 09:18:49

Locked:

Closed:

5 of 38

1 1000 1116 31000

4444

310001777/ F 016 011001

J L U

Floor Tile Pattern

3000

STANDARD SQUARE ***STD***



Plumbing Fixture (Colour)

1737

Plumbing Fixtures-WHITE ***STD***

Comment

Great Room

Flooring

7499

Red Oak Pearl-Vintage Engineered-HAZELNUT-3/4 inch x
3 1/4 inch ***STD***

Comment

Upper Hall

Flooring

7499

Red Oak Pearl-Vintage Engineered-HAZELNUT-3/4 inch x
3 1/4 inch ***3***

Comment

Finished Basement (Rec) Room/Hall

Flooring

7628

T-12-Dynasty Tex-T-12-40 oz Poly ***STD***

Comment

Master Bedroom

Flooring

7499

Red Oak Pearl-Vintage Engineered-HAZELNUT-3/4 inch x
3 1/4 inch ***3***

Comment

Bedroom 2

Flooring

7499

Red Oak Pearl-Vintage Engineered-HAZELNUT-3/4 inch x
3 1/4 inch ***3***

Customer Colours

ANKA KRIZMANIC/
 Project: Wallaceton
 Unit: 189B-13, Phase: 1
 Model: 20-1456 B The Hampton

Created: 9/26/2019 09:18:49

Locked:

Closed:

6 of 38

Comment

Bedroom 3

Flooring 7499
 Red Oak Pearl-Vintage Engineered-HAZELNUT-3/4 inch x
 3 1/4 inch ***3***

Comment

Master Ensuite

Cabinet Colour/Style 8374
 Viking III-CAMDEN-OREGANO-MAPLE ***STD***

Countertop 8819
 1876K-52-Countertop-SPRING CARNIVAL-Wilsonart
 STD

Countertop Edge 1111
 N/A *****

Cabinet Hardware 2086
 9677-HARDWARE ***STD***

Floor Tile 8228
 GE.NA.TPE.1313-New Albion-Taupe-13 x 13 ***STD***

Floor Tile Grout 2224
 Grout-(44) Pale Umber ***STD***

Floor Tile Pattern 3000
 STANDARD SQUARE ***STD***

Shower Floor Tile 8661
 OD.ON.SWT.0202.MT.N-Ontario Series Mosaic-Snow
 White Matte-2 x 2 ***STD***

Shower Floor Tile Grout 2226
 Grout-(00) White ***STD***

Shower Floor Tile Pattern 3000
 STANDARD SQUARE ***STD***

Shower Wall Tile 8624
 GE.NA.TPE.0810-New Albion-Taupe-8 inch x 10 inch
 STD

Shower Wall Tile Grout 2226
 Grout-(00) White ***STD***

Shower Wall Tile Pattern 3090
 VERTICAL STACKED ***STD***

Customer Colours

ANKA KRIZMANIC/
Project: Wallaceton
Unit: 189B-13, Phase: 1
Model: 20-1456 B The Hampton

Created: 9/26/2019 09:18:49

Locked:

Closed:

7 of 38



8923 Shower Jamb / Sill-Thassos White ***STD***

1737 Plumbing Fixtures-WHITE ***STD***

Comment

Main Bathroom

6312 Cabinet Colour/Style Viking III-HUDSON-ONTARIO WHITE-3DL ***STD***

8829 Countertop 4954K-22-Countertop-ITALIAN WHITE DI PESCO-Wilsonart ***STD***

1111 Countertop Edge N/A *****

2086 Cabinet Hardware 9677-HARDWARE ***STD***

5494 Flooring GE.NA.GRY.1313-New Albion-Grey-13 x 13 ***STD***

2225 Floor Tile Grout Grout-(27) Silver ***STD***

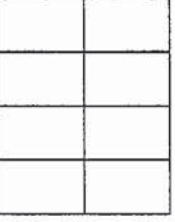
3000 Floor Tile Pattern STANDARD SQUARE ***STD***



5442 Tub Wall Tile GE.NA.GRY.0810-New Albion-Grey-8 x 10 ***STD***

2226 Tub Wall Tile Grout Grout-(00) White ***STD***

3090 Tub Wall Tile Pattern VERTICAL STACKED ***STD***



1737 Plumbing Fixture (Colour) Plumbing Fixtures-WHITE ***STD***

Comment

Finished Basement Bathroom

6312 Cabinet Colour/Style Viking III-HUDSON-ONTARIO WHITE-3DL ***STD***

8829 Countertop 4954K-22-Countertop-ITALIAN WHITE DI

Customer Colours

ANIK A KRIZMANIC/
 Project: Wallaceon
 Unit: 189B-13, Phase: 1
 Model: 20-1456 B The Hampton

Created: 9/26/2019 09:18:49

Locked:

Closed:

8 of 38

PESCO-Wilsonart ***STD***

Countertop Edge

Cabinet Hardware

Flooring

Floor Tile Grout

Floor Tile Pattern

Shower Floor Tile

Shower Floor Tile Grout

Shower Floor Tile Pattern

Wall Tile

Wall Tile Grout

Wall Tile Pattern

Shower Jamb(s)

Plumbing Fixture (Colour)

Comment

Great Room Fireplace

Type

Mantle

Surround Opt.

Customer Colours

ANIK KKRZMANIC/
 Project: Wallaceton
 Unit: 189B-13, Phase: 1
 Model: 20-1456 B The Hampton

Created: 9/26/2019 09:18:49

Locked:

Closed:

9 of 38

Note 1111 Purchasers have been advised: heat from the FP can damage TV above a FP and items placed on mantle.

Note 1111 Heathwood and its contractors will not be liable for any damage on items placed/installed above a FP after closing.

Comment

Basement Stairs

Type 1714 Carpet Grade Stairs ***STD BASEMENT STAIRS***

Colour 7918 Hazelnut (Kahlua) STAIN TO COMPLIMENT HARDWOOD AND WILL VARY FROM FLOORING ***99***

Carpet Runner 1111 N/A *****

Handrail/Pickets/Post Type 7652 1 5/16 inch Square pickets with 3 1/2" Square/Cap Post(s)-ALL OAK ***STD***

Handrail/Pickets/Post Colours 1729 Carpet Grade-Stain handrail, pickets, stringers, nosing_pos

Carpet 7628 T-12-Dynasty Tex-T-12-40 oz Poly ***STD***

Custom Stain/Paint 1111 N/A *****

Comment

Basement Stairs Landing(s)

Flooring 7499 Red Oak Pearl-Vintage Engineered-HAZELNUT-3/4 inch x 3 1/4 inch ***3***

Comment

Main Stairs

Type 1712 Oak Stairs ***STD MAIN STAIRS***

Colour 7918 Hazelnut (Kahlua) STAIN TO COMPLIMENT HARDWOOD AND WILL VARY FROM FLOORING ***99***

Carpet Runner 7628 T-12-Dynasty Tex-T-12-40 oz Poly ***STD***

Handrail/Pickets/Posts Type 7652 1 5/16 inch Square pickets with 3 1/2" Square/Cap Post(s)-ALL OAK ***STD***

Customer Colours

ANKA KRIZMANIC/
Project: Wallaceton
Unit: 189B-13, Phase: 1
Model: 20-1456 B The Hampton

Created: 9/26/2019 09:18:49

Locked:

Closed:

10 of 38

Handrail/Pickets/Posts Colour Oak Grade-Stain handrail,oak pickets,stringers,treads,risers

Custom Stain/Paint N/A *****

Comment

Main Stairs Landing(s)

Flooring Red Oak Pearl-Vintage Engineered-HAZELNUT-3/4 inch x 3 1/4 inch ***STD***

Comment

Throughout

Walls - Paint Colour 22-Wall-WARM GREY ***STD***

Underpad 500 Series-Underpad ***STD***

Thresholds Metal Thresholds ***STD***

Switches and Plug Decora White Switches and Plugs ***STD***

Trim Size 4 1/4 Baseboard and 2 3/4 Casings ***STD***

Trim - Paint Colour Trim-WHITE ***STD***

Comment

Purchaser: *Anka Krizmanic* Date
ANKA KRIZMANIC Decor Consultant

Purchaser: *M. Rosen* Date Approved
Wallaceton



Sales Selection Sheet

Wallaceton

1 of 38

TEL: RES.: 905-945-6533

LOT / UNIT	PHASE	MODEL
189B-13	1	20-1456 B The Hampton

It is herein understood and agreed between the undersigned parties hereto that the following changes shall be made to the above mentioned Agreement of Purchase and Sale in accordance with the agreement and except for such changes noted below, all other terms and conditions in the Agreement of Purchase and Sale shall remain as stated herein: It is further understood that and agreed that all changes and additions shall be installed as per builder's specifications, location and available selections. The Purchaser hereby agrees to purchase the following extras:

APPLIANCES

1	STANDARD APPLIANCES AS PER SCHEDULE E BONUS	Qty: 1
15,284	Note: SPECS PAGES 23-38	

Cabinetry

2	CABINETRY - 11A-UPPER ANGLE CORNER PER UNIT - UPGRADE 1	Qty: 1
112,804		
15,285	Note: SKETCH # 2 PAGE 14	

CARPET

3	CARPET RUNNER - DYNASTY 40oz POLY	Qty: 1
15,296	Note: MAIN STAIRS	

Ceramics

4	CERAMICS - BACKSPLASH - KITCHEN - UPGRADE 1	Qty: 1
113,364		
15,287	Note:	

Electrical

5	ELECTRICAL - CEILING ROUGH-IN (CAPPED)	Qty: 2
112,906		
15,289	Note: 1 - GREAT ROOM - USE EXISTING SWITCH 1 - KITCHEN OVER ISLAND SEE SKETCH# 2 PAGE 14	
6	ELECTRICAL - ADDITIONAL SWITCH	Qty: 1
112,907		
15,290	Note: FOR CAPPED LIGHT OVER ISLAND - SEE SKETCH# 2 PAGE 14	

Hardwood

7	HARDWOOD - VINTAGE - 3-1/4" RED OAK ENGINEERED - UPPER HALL - STANDARD SERIES	Qty: 1
104,111		
15,291	Note:	
8	HARDWOOD - VINTAGE - 3-1/4" RED OAK ENGINEERED - MASTER BEDROOM - STANDARD SERIES	Qty: 1
104,096		
15,292	Note:	
9	HARDWOOD - VINTAGE - 3-1/4" RED OAK ENGINEERED - BEDROOM 2 - STANDARD SERIES	Qty: 1
104,101		
15,293	Note:	

TAX#:1

PREPARED BY: Brenda Luker

PE 92-1

Slr\voice.rpt 28may19

AK



Sales Selection Sheet

Wallaceton

12 of 38

TEL: RES.: 905-945-6533

LOT / UNIT 189B-13	PHASE 1	MODEL 20-1456 B The Hampton
-----------------------	------------	--------------------------------

Hardwood

10 104,106 15,294	HARDWOOD - VINTAGE - 3-1/4" RED OAK ENGINEERED - BEDROOM 3 - STANDARD SERIES Note:	Qty: 1
-------------------------	---	--------

Sub Total
HST
Total

1. This Sales Selection Sheet when properly executed forms part of our Agreement of Purchase and Sale.
2. All extras and upgrades listed above are subject to Construction Progress and Architectural and Municipal requirements.
3. In the event the Vendor is unable to incorporate the work approved above in the construction of the house for any reason whatsoever, the Vendor will not be liable to the Purchaser in any way. The monies paid for any changes or optional extras not proceeded with shall be returned to the Purchaser, without interest. The cost of options or extras is non-refundable in all other circumstances. If for any reason whatsoever the Agreement of Purchase and Sale is not completed, the total cost of work approved above will be retained by the Vendor.
4. The Vendor reserves the right to substitute above materials and equipment with that of equal or better quality.
5. The Purchaser acknowledges that items may not be exactly as shown. Variations from the Vendor's samples may occur in finished materials due to normal production processes. Vendor is not responsible for shade difference which may occur from different dye lots or wood grains. Variations from the Vendor's samples will occur with natural materials such as wood, marble, granite, hardwood and brick.
6. The Vendor reserves the right to select Grout & Thresholds that best suits the Tile selected.
7. Selections will not be processed unless signed by Heathwood Homes Head Office.
8. The selections made on this schedule are final and cannot be changed once submitted.
9. The Purchaser has checked and acknowledges the accuracy of this schedule.

Payment Summary	Amount
Paid By	
Total Payment:	

PURCHASER: Anka Krizmanic 26-Sep-19 DATE 26-Sep-19 DATE

ANKA KRIZMANIC

Decbr Consultant

26-Sep-19 DATE

M. Rosen

Date Approved Heathwood Homes (Huron) Limited

TAX#:1

PREPARED BY: Brenda Luker

PE 92-2

SlInvoice.rpt 28may19

UK - 75 WALLACETON
LOT 189B-13
20-1456 'B'
THE HAMPTON

13 of 38

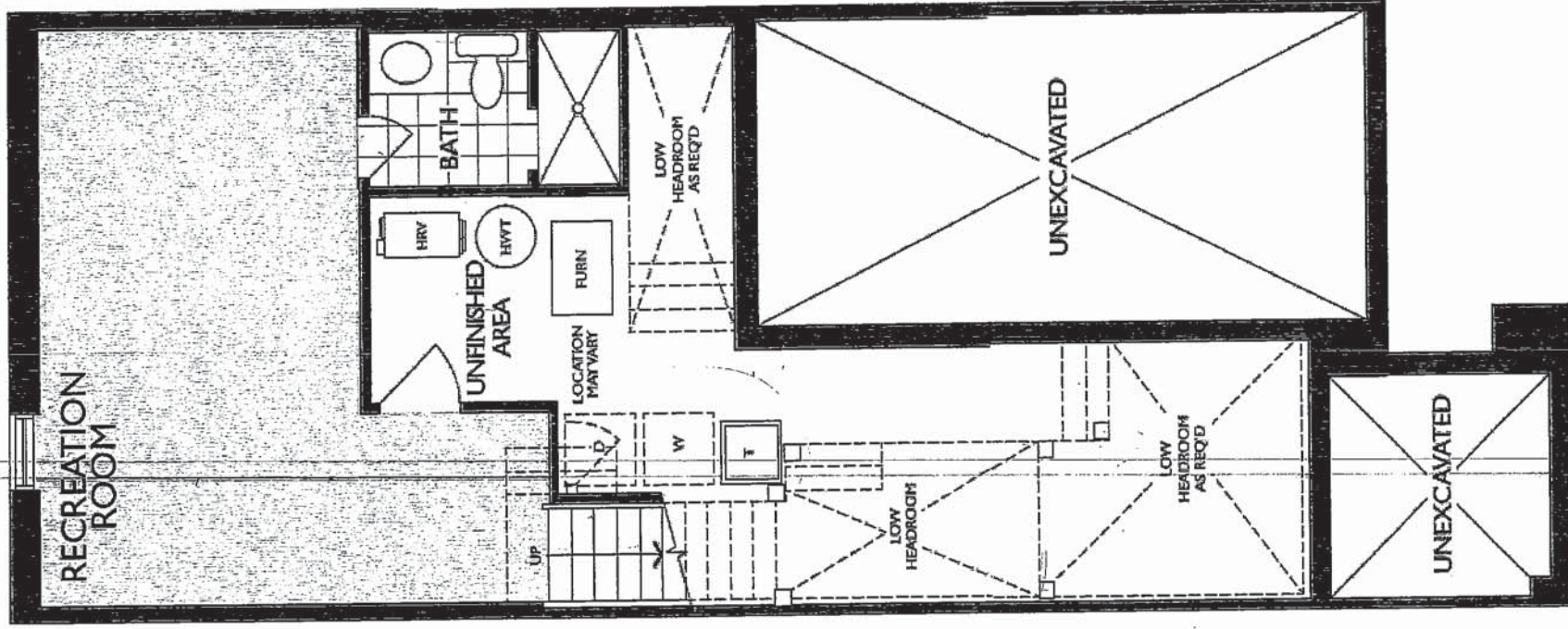
20-1456 ELEV. B

THE HAMPTON

ELEVATION B | 1,800 SQ. FT.

includes 329 square feet of finished lower level

Sketch #1



LOWER LEVEL
ELEVATION B

AK

UK - 75 WALLACETON
LOT 189B-13
20-1456 'B'
THE HAMPTON

14 OF 38

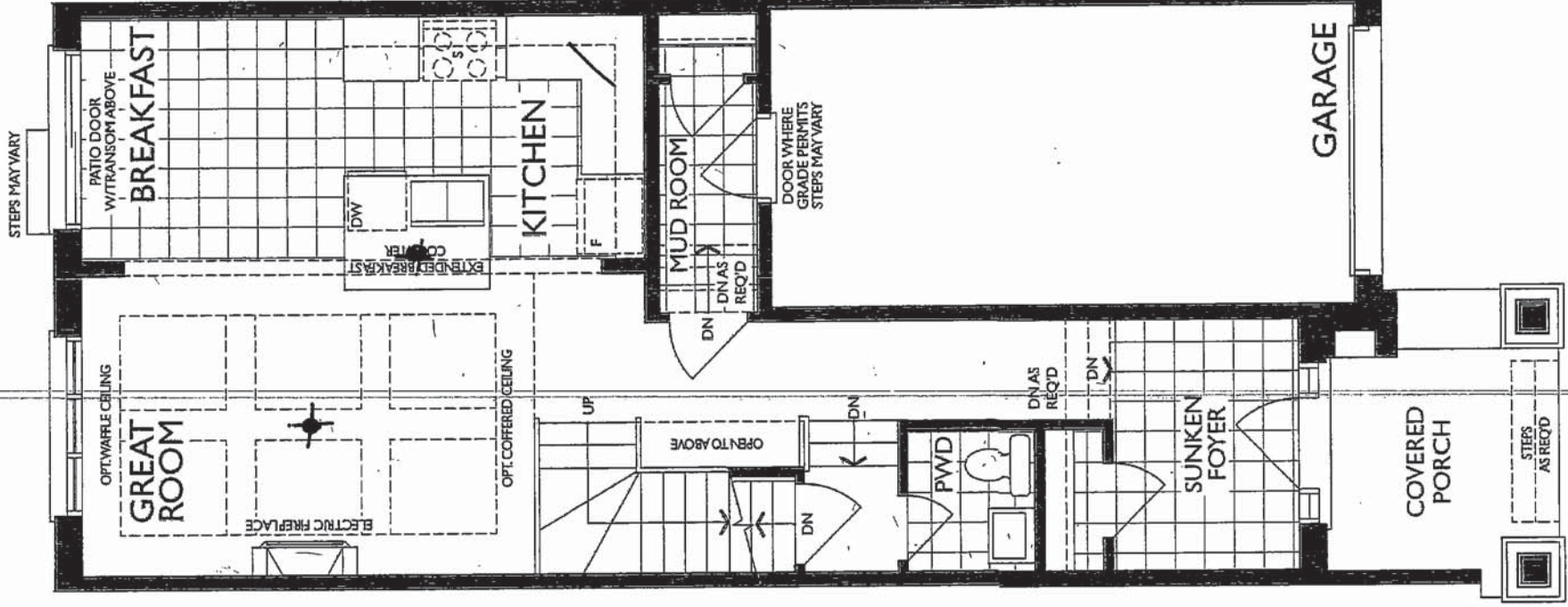
20-1456 ELEV. B

THE HAMPTON

ELEVATION B | 1,800 SQ. FT.

Includes 329 square feet of finished lower level

Sketch # 2



• - CAPPED CEILING
ON SEPARATE SWITCH

UPPER ANGLE

MAIN FLOOR
ELEVATION B

AK

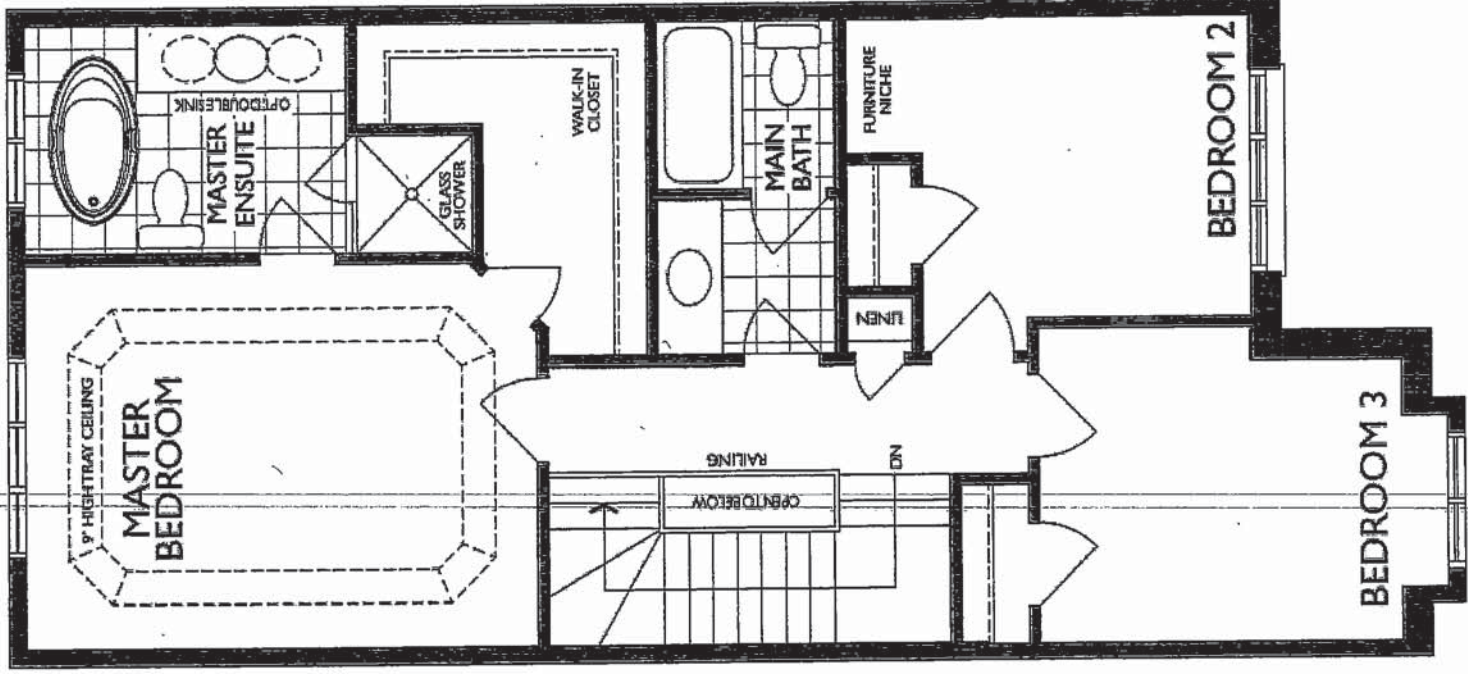
UK - 75 WALLACETON
LOT 189B-13
20-1456 'B'
THE HAMPTON

20-1456 ELEV. B

THE HAMPTON
ELEVATION B | 1,800 SQ. FT.

Includes 329 square feet of finished lower level

Sketch # 3



SECOND FLOOR
ELEVATION B

15 of 38

AK

UK - 75 WALLACETON
 LOT 189B-13
 20-1456 'B'

THE HAMPTON

F R E N D
 KITCHENS L.L.C.
 1350 Showson Drive, Mississippi



HEATHWOOD HOME
 WALLACETON, MISSISSIPPI
 MODEL: 20-1456 (2)

STANDARD CONTRACT INCLUDES:

Appliance Openings

- Hood Opening: 30" W Std. H
- Fridge Opening: 37 3/8" W
- 30cm deep cabinet over fr
- Stove Opening: 30" Freestd
- Dishwasher Opening: 24"

Standard Kitchens Scope:

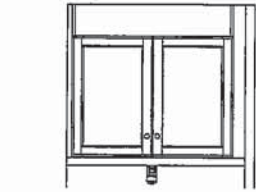
- 100cm H wall cabinets
- Std. Blumotion Hinges - soft close doors
- Std. Metabox Drawers - not soft close
- Min 40cm W drawer
- Base pie cut corner cabinets
- Backing on all cabinets
- Countertop by others
- Upgrade applied paneled fridge & dishwashers supply only (appliance hardware by others)

Standard Vanity & Laundry Scope:

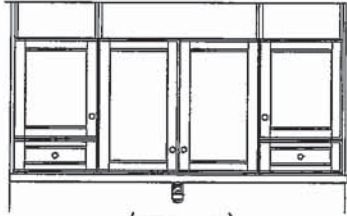
- Powder by others, pedestal
- All vanities include laminate counter
- Std. Blumotion Hinges - not soft close
- Tandem Box Drawers - soft close
- Master Ensuite: Top drawers (Full height doors at sink)
- Mains: Full height doors (top drawers added if Masters can't accommodate)
- Optional laundry base & wall cabinets

16 of 38

THIS DRAWING IS FOR DESIGN PURPOSES ONLY. IT IS NOT AN EXACT REPRESENTATION.



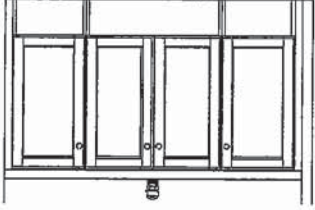
STD. BASEMENT BATH



(2ND FLR)

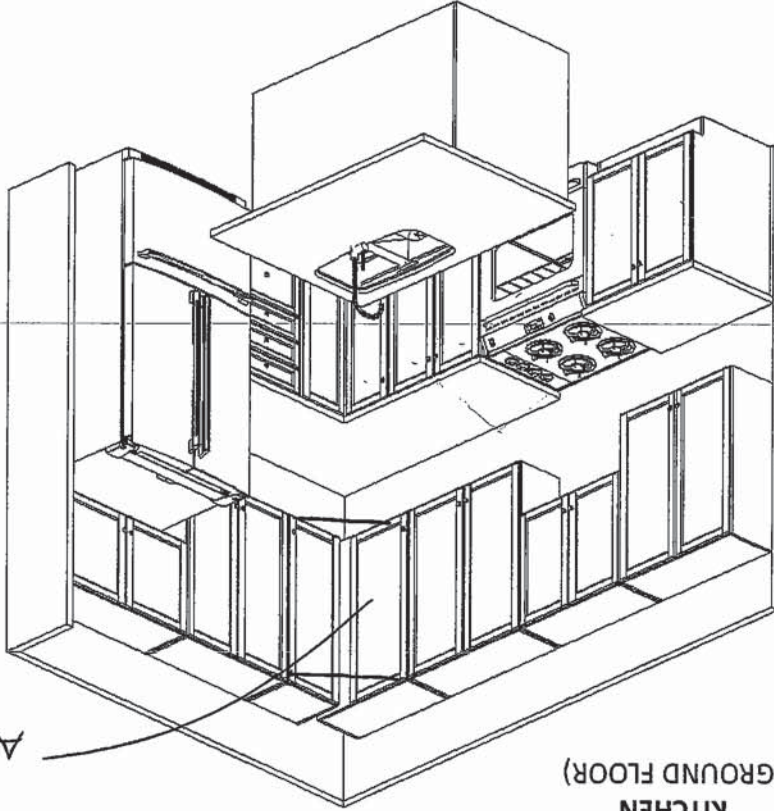
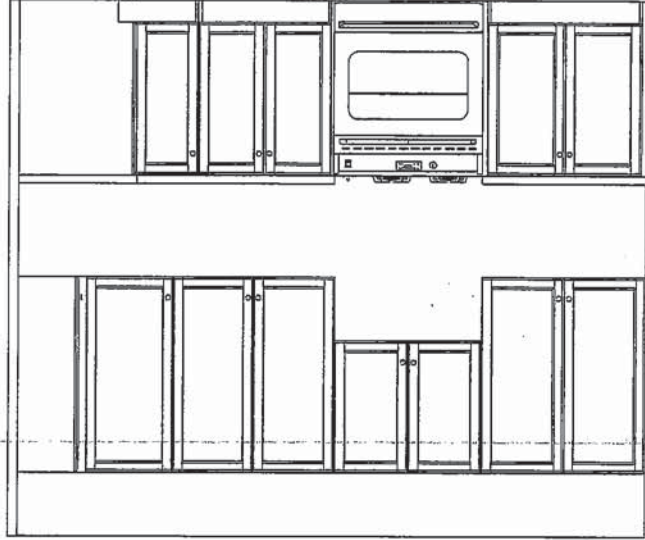
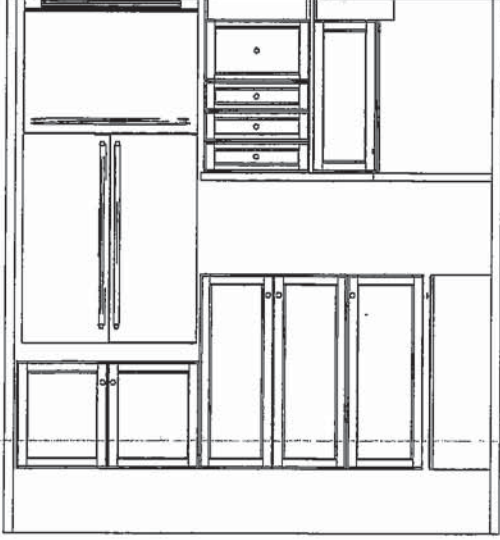
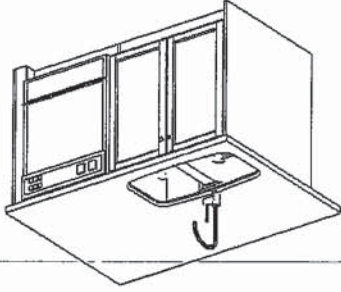
MASTER ENSUITE

(OPT. MASTER ENSUITE SAME SIZE & DIRECTION)



(2ND FLR)

MAIN BATH



KITCHEN
 (GROUND FLOOR)

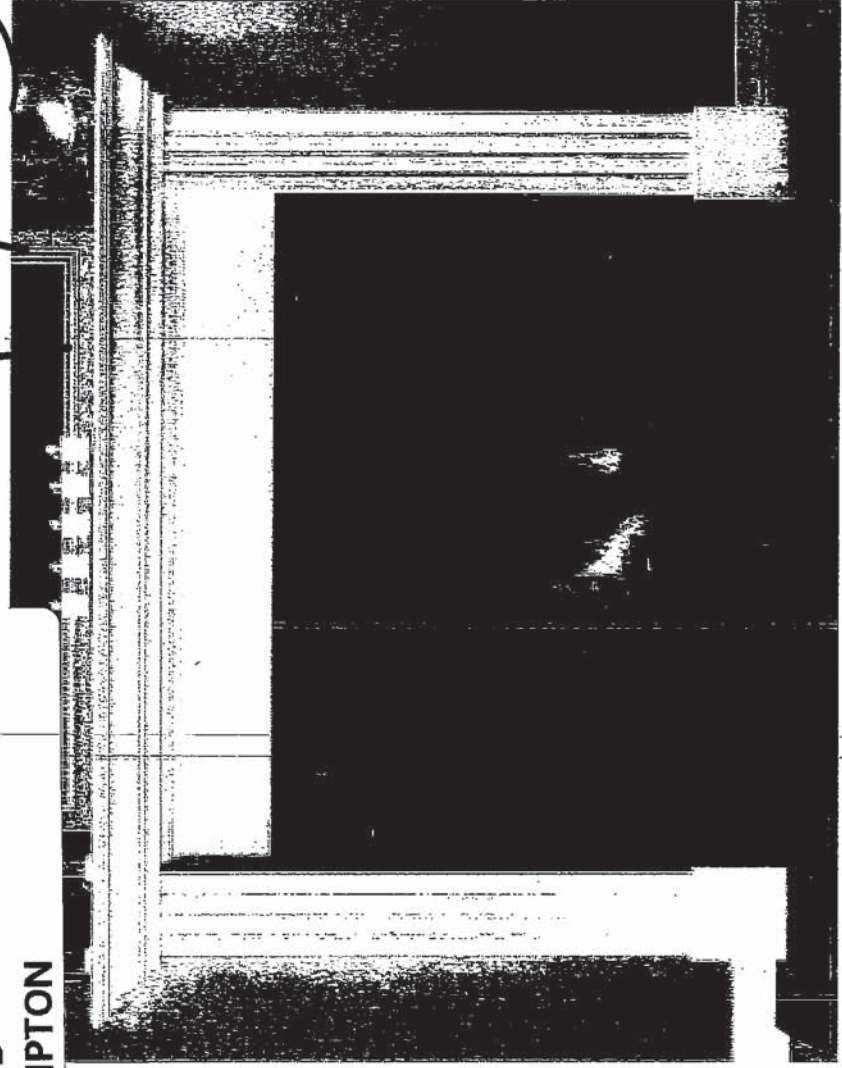
ANGLED
 UPPER

5/13/2019

AK

UK - 75 WALLACETON
LOT 189B-13
20-1456 'B'
THE HAMPTON

17 of 38

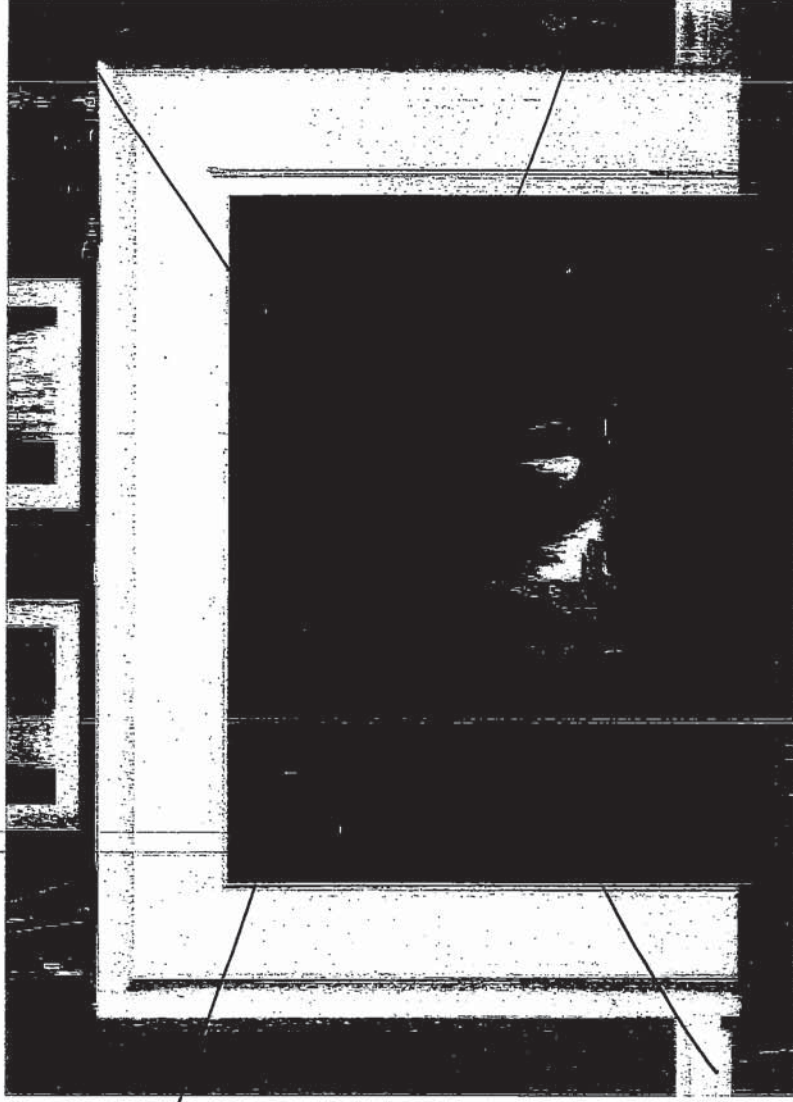


'CABINET'

STANDARD NF 15 Mantel ✓

Clean apron finish with fluted legs
WHITE PAINT GRADE FINISH

(PICTURE SHOWN WITH UPGRADE SURROUND AND HEARTH --PRICED SEPARATELY)



STANDARD NF 17 Mantel X

WHITE PAINT GRADE FINISH

(PICTURE SHOWN WITH UPGRADE SURROUND AND HEARTH --PRICED SEPARATELY)

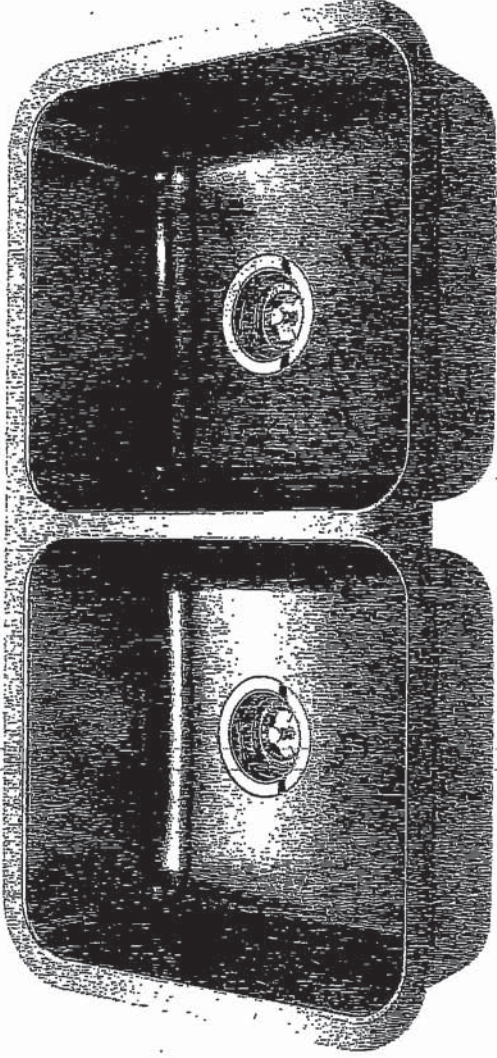
AKC

UK - 75 WALLACETON
 LOT 189B-13
 20-1456 'B'
 THE HAMPTON

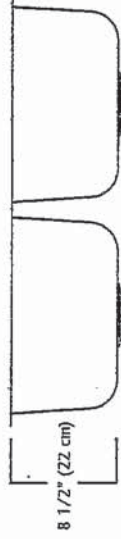
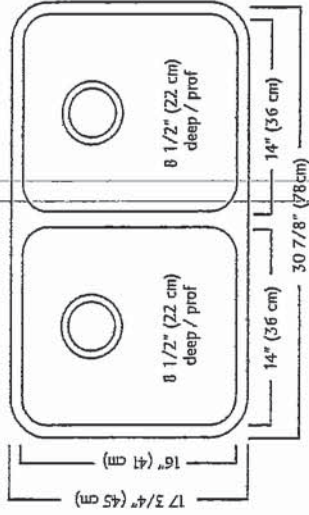
18 of 38

Reginox

ND1831UA/9



Optional Accessories



ND1831UA/9 SPECIFICATION

Model ND1831UA/9 is a double (two equal size) bowl undermount sink manufactured by Franke Kindred Canada Limited from 18 gauge stainless steel. Product has silk finished rims and linear brush finished bowls. Sink is fully undercoated. Basket strainer waste fittings (3 1/2", 89 mm) are included. Sink is backed with a limited lifetime warranty.

- O.D. 17 3/4" x 30 7/8" x 8 1/2" (45 x 78 x 22 cm)
- Recommended for minimum 36" cabinet

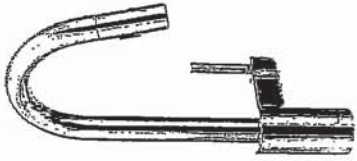
Franke Kindred Canada Limited
 P.O. Box 190, 1000 Franke Kindred Road, Midland, Ontario, Canada, L4R 4K9 Phone: 866-687-7465 Fax: 800-361-8408

AK

UK - 75 WALLACETON
LOT 189B-13
20-1456 'B'
THE HAMPTON

19 of 38

STANDARD KITCHEN FAUCET



Align

Modern

Single Handle Pull-Down Kitchen
Faucet*

Model 7565T

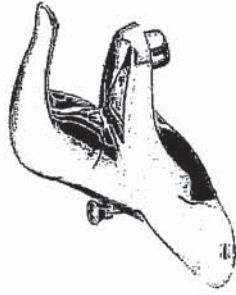
AK

UK - 75 WALLACETON
LOT 189B-13
20-1456 'B'
THE HAMPTON

20 of 38

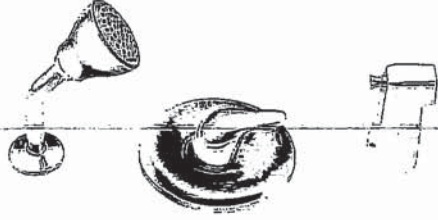
Chateau

Transitional



Lavatory Faucet with Pop-Up Drain
Model L4621†

VANITY SINKS AND PEDESTAL



Posi-Temp® Pressure Balancing Tub/Shower
Model 62320 / TL183†

OR

Posi-Temp Valve and Tub/Shower Trim
with Eco-Performance Easy Clean® XL

Model 62320 / TL183EP†
(TL183EP not available in BC)

SHOWER AND 5' TUB FAUCETS



2 Handle Roman Tub with 9" Spout
Model 4796 / T990†

FREESTANDING TUB FAUCETS

AK

UK - 75 WALLACETON
LOT 189B-13
20-1456 'B'
THE HAMPTON

21 of 38



Buy it for looks. Buy it for life.®

*There is more than 1 version of this model.
Page down to identify the version you have.*

DESCRIPTION

- Metal construction with various finishes identified by suffix
- 1/2" IPS connections
- Includes metal or 50/50 pop-up type waste assembly where noted

OPERATION

- Pivot action lever style handle
- Temperature controlled through 100° degree arc of handle travel

FLOW


- Water usage is limited to these maximum flow rates as indicated by the corresponding product markings
 - 1.2 gpm max (4.5L/min) at 60 psi
 - 1.5 gpm max (5.7L/min) at 60 psi

CARTRIDGE

- 1255™ Duralast™ cartridge
- Nonmetallic/nonferrous and stainless steel material

STANDARDS

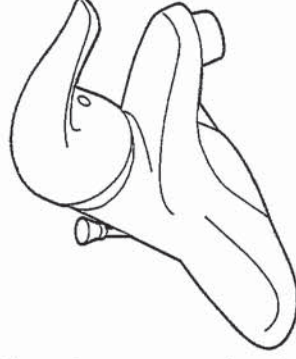
- Third party certified to WaterSense®, ASME A112.18.1/CSA B125.1 and all applicable requirements referenced therein
- Certified to NSF 61/9 & 372
- Products marked with 1.2 gpm are compliant with California water efficiency regulations
- Complies with California Proposition 65 and with the Federal Safe Drinking Water Act

- ADA  for lever handle

WARRANTY

- Lifetime limited warranty against leaks, drips and finish defects to the original consumer purchaser
- 5 year warranty if used in commercial installations

Specifications



CHATEAU® Single-Handle Lavatory Faucet

with Metal Waste Assembly
Models: L4621 series

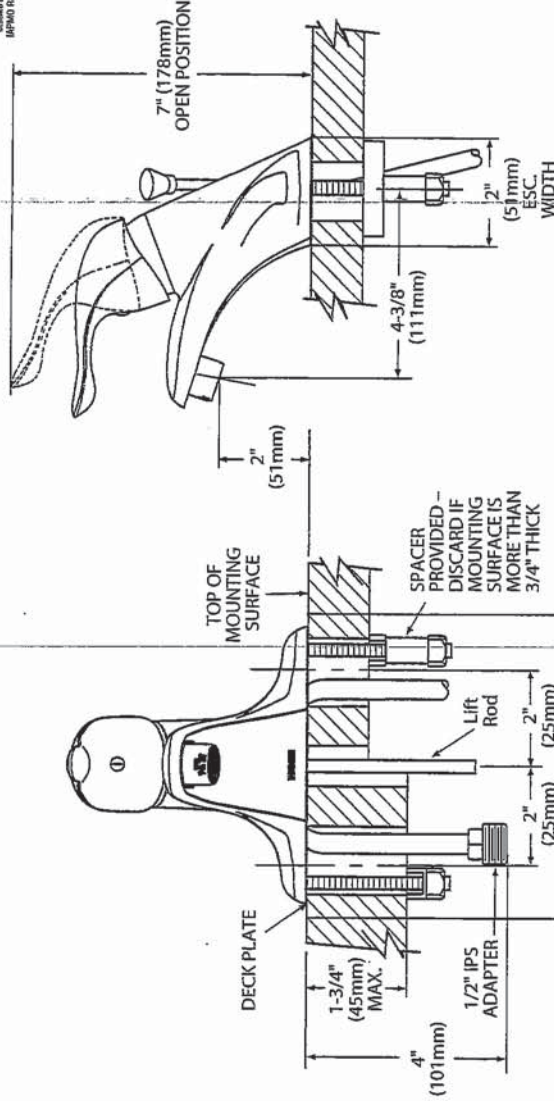
Bulk Pack Models (12 Per Carton):
L64620 series

with 50/50 Waste Assembly
Bulk Pack Model (12 Per Carton): L64621 series

Less Waste
Model: L4601 series

Bulk Pack Model (12 Per Carton):
L64601 series

NOTE: THIS FAUCET IS DESIGNED TO BE
INSTALLED THRU 3-1" DIA. HOLES, 2" ON CENTER



CRITICAL DIMENSIONS

(DO NOT SCALE)

Rev. 1/16

MOEN 11/15/16 1000000

FOR MORE INFORMATION CALL: 1-800-BUY-MOEN
www.moen.com

UK - 75 WALLACETON
 LOT 189B-13
 20-1456 'B'
 THE HAMPTON

22 of 38

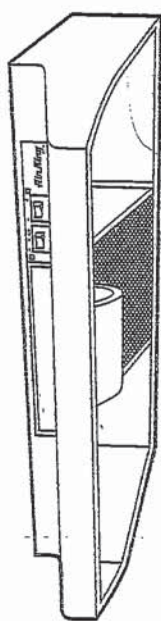
HOODFAN FOR
 TOWNS AND SINGLES



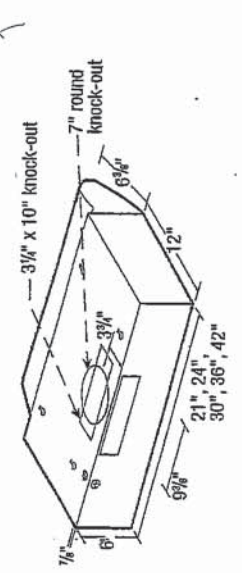
SPECIFICATIONS
AV SERIES
 RANGE HOODS

HVI 21001
CERTIFIED
 180 CFM/7.0 Sones @ 0.10" SP. Horizontal
 180 CFM/7.5 Sones @ 0.10" SP. Vertical

- Dimensions**
 Overall bottom projection - 18 3/8"
 Overall top projection - 12"
 Height - 6"
 Available widths: 21", 24", 30", 36" & 42"
- Hood Body**
 Stainless Steel: 24 gauge, grade 430 stainless steel.
 Painted: 23 gauge cold rolled commercial grade (CRCQ); steel, auto welded, coated with a baked enamel finish.
- Motor**
 2 speed, single coil, thermally protected, permanently lubricated.
 Rated 120 volts, 60 Hz. Complete with 200°C lead wires.
- Lighting**
 Single 60 watt cook light capacity (bulb not included).
- Ducting Options**
 Horizontal ducting: 3 1/4" x 10" (duct adapter and damper included).
 Vertical ducting: 3 1/4" x 10" (duct adapter and damper included).
 Vertical ducting: 7" round (duct adapter and damper not included).
 Ductless: removable front vent (charcoal filter not included).
- Fan Blade**
 One piece polymeric, electronically balanced blade, 65/8" diameter with 5 paddles.
- Electrical connection**
 Hood top - 7/8" knockout hole for use with 1/2" cable clamp
 Hood back - 7/8" knockout hole for use with 1/2" cable clamp



AV SERIES



- Filters**
 UL rated, class 2 filter.
 Grease Filter: RF35 - 8 7/8" x 10 3/8" (included).
 Charcoal Filter: RF34 (not included).
 Combo Grease/Charcoal: RF55 (not included).
- Available Finishes**
 White, Biscuit, Almond, Black & Stainless Steel.

EXPANDED PERFORMANCE						
Air Flow - CFM	0	0.05	0.1	0.15	0.25	Power Watts
Vertical Ducting High	246	232	218	203	181	87.0
Horizontal Ducting High	225	210	180	175	155	87.0
					120	87.0
					7.0	2.1
					7.5	2.1
					2973	87.0
					3024	87.0

PROJECT	ARCHITECT	DATE
LOCATION	ENGINEER	
CONTRACTOR	SUBMITTED BY	
FAN NUMBER	IN W.G.	RPM
MODEL NUMBER	CFM	WATTS
	AMPS	SONES
	QTY	OPTIONAL EQUIPMENT & REMARKS



Air King: 820 Lincoln Avenue
 West Chester, Pennsylvania 19380-4466
 Tel: (610) 692-7400 • 877-304-3785
 Fax: (610) 696-8048

Canada:
 Brampton, Ontario
 Tel: 905-456-2033
 Fax: (905) 456-1015

Specifications subject to change without notice. Updated 2-18

AK

UK - 75 WALLACETON

LOT 189B-13

20-1456 'B'

THE HAMPTON

34
23 of 38

Whirlpool® Top Mount Refrigerator

PRODUCT MODEL NUMBERS

WRT311FZD
WRT511SZD

PRODUCT DIMENSIONS

WRT541SZD

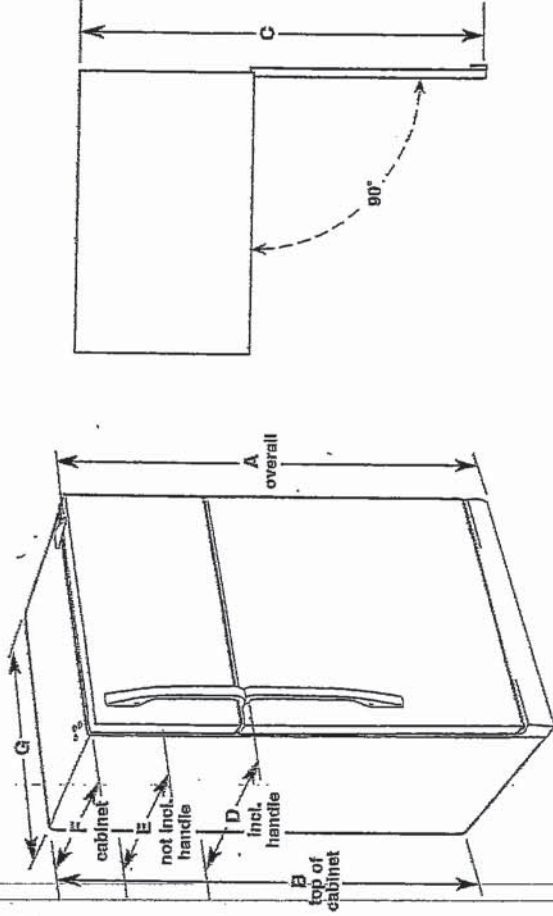
Electrical: A 115-volt, 60-Hz, AC-only, 15- or 20-amp fused, grounded electrical supply is required. It is recommended that a separate circuit serving only your refrigerator be provided. Use an outlet that cannot be turned off by a switch. Do not use an extension cord.

NOTE: Before performing any type of installation, cleaning, or removing a light bulb, turn the control (Thermostat, Refrigerator or Freezer Control depending on the model) to OFF and then disconnect the refrigerator from the electrical source. When you are finished, reconnect the refrigerator to the electrical source and reset the control (Thermostat, Refrigerator or Freezer Control depending on the model) to the desired setting. See "Using the Controls."

Water: A cold water supply with water pressure between 30 and 120 psi (207 and 827 kPa) is required to operate ice maker and water dispenser. If you have questions about your water pressure, call a licensed, qualified plumber.

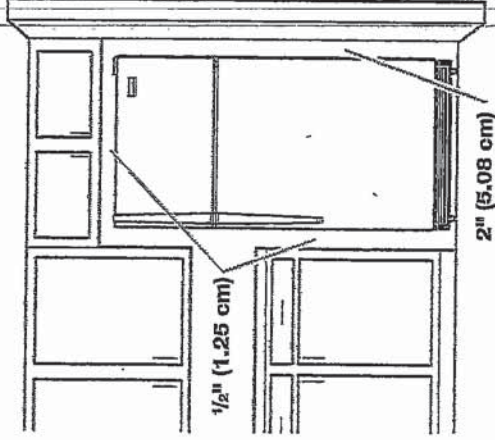
IMPORTANT: The pressure of the water coming out of a reverse osmosis system going to the water inlet valve of the refrigerator needs to be between 30 and 120 psi (207 and 827 kPa).

Reverse Osmosis Water Supply: If a reverse osmosis water filtration system is connected to your cold water supply, the water pressure to the reverse osmosis system needs to be a minimum of 40 to 60 psi (276 to 414 kPa).



Model Number	Model Size	Reversible Door	Height - Overall "A"	Height - Top of Cabinet "B"	Depth - Door Open 90° "C"	Depth - With Handles "D"	Depth - Without Handles "E"	Depth - Cabinet Only "F"	Width - Cabinet "G"
WRT311FZD	20.5 cu. ft.	Yes	66 1/4" (168.3 cm)	65 1/2" (166.4 cm)	62 1/4" (158.1 cm)	32 7/8" (83.5 cm)	30 5/8" (77.8 cm)	28 1/2" (72.4 cm)	32 3/4" (83.2 cm)
WRT511SZD WRT541SZD	21 1/3 cu. ft.	Yes	66 1/4" (168.3 cm)	65 1/2" (166.4 cm)	62 3/4" (158.1 cm)	34" (86.4 cm)	32 1/2" (82.3 cm)	28 1/4" (72.4 cm)	32 3/4" (83.2 cm)

LOCATION REQUIREMENTS



To ensure proper ventilation for your refrigerator, allow for a 1/2" (1.25 cm) space on each and between overhead cabinets and refrigerator top. Allow at least 1" (2.5 cm) between back of cabinet and the wall. If your refrigerator has an ice maker, make sure you leave some extra space at the back for the water line connections.

If you are installing your refrigerator next to a fixed wall, leave 2" (5 cm) minimum on the hinge side (depending on your model) to allow for the door to swing open.

NOTE: This refrigerator is intended for use in a location where the temperature ranges from a minimum of 55°F (13°C) to a maximum of 110°F (43°C). The preferred room temperature range for optimum performance, which reduces electricity usage and provides superior cooling, is between 60°F (15°C) and 90°F (32°C). It is recommended that you do not install the refrigerator near a heat source, such as an oven or radiator.

Because Whirlpool Corporation policy includes a continuous commitment to improve our products, we reserve the right to change materials and specifications without notice.

Dimensions are for planning purposes only. For complete details, see Installation Instructions packet with product. Specifications subject to change without notice.

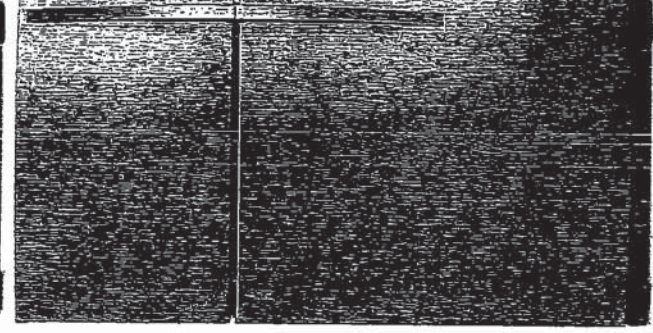
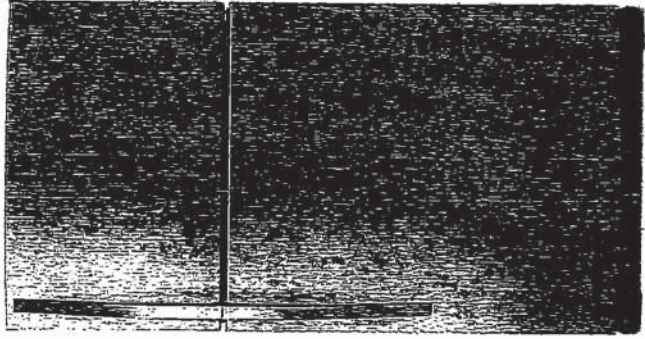
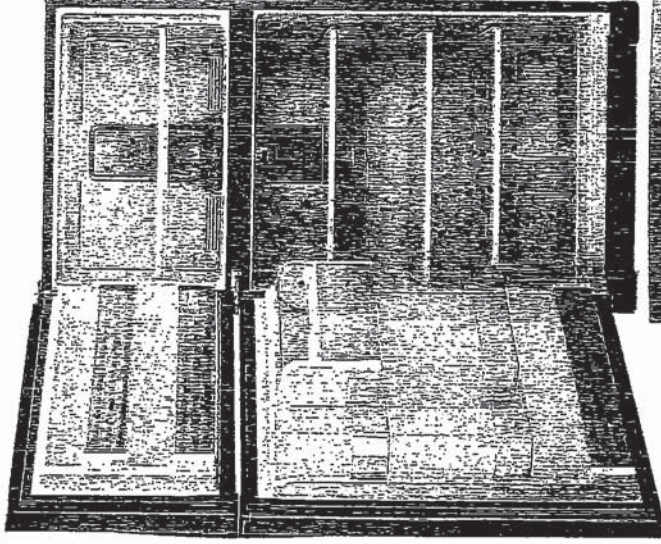
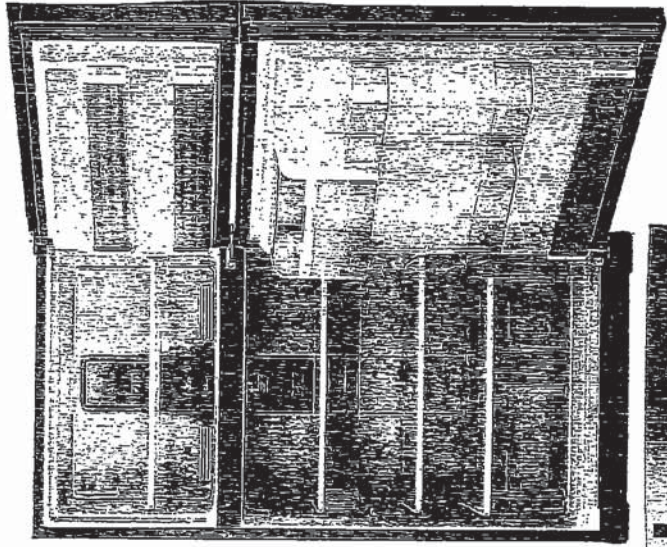
Ref. W10674106
10/29/14

AK

UK -75 WALLACETON
LOT 189B-13
20-1456 'B'
THE HAMPTON

24 of 38

Refrigerator Door Swing Verification



When facing the refrigerator

RIGHT HAND
DOOR OPENING

- Hinges on right
- Handle on left

- Hinges on left
- Handle on right

LEFT HAND
DOOR OPENING


INITIAL

mf
INITIAL


Please check and INITIAL your door swing selection.

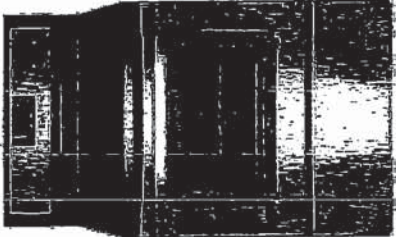
UK - 75 WALLACETON
 LOT 189B-13
 20-1456 'B'
 THE HAMPTON

25 of 38




Whirlpool® 60cm 4 Capacity Electric Range With Self-Cleaning System








**WFE510S0AS
Stainless Steel**

OTHER AVAILABLE COLORS


 Black
 Model: WFE610S0AB


 Universal Silver
 Model: WFE610S0AD


 Biscuit
 Model: WFE610S0AT


 White
 Model: WFE610S0AW

DIMENSIONS		KEY FEATURES
Height	46 7/8 Inches	Eco-Friendly Ceramic Glass Cooktop AccuBake® Temperature Management System 9 5/8" Dual radiant element Traditional Self-Cleaning Oven Large Oven Window Oven Light Custom Broil
Depth	27 3/4 Inches	
Width	29 7/8 Inches	
<small>Dimensions shown are for planning purposes only. For complete information, see installation instructions packaged with product.</small>		
ELECTRICAL		
40 Amps, 40 Amps Amps, 60 Hz, 120/240 or 120/208 V.		
<small>Before purchasing this appliance, read important information about its estimated annual energy consumption or energy efficiency rating that is available from your dealer.</small>		

AK

UK - 75 WALLACETON
LOT 189B-13
20-1456 'B'
THE HAMPTON

26 of 38

Whirlpool® 4.8 cu. ft. Capacity Electric Range with Self-Cleaning System (YWFE510S0... Page 2 of 2

Right Front Element-Burner Type: Broil
Right Rear Element-Burner Power: 7000
Right Rear Element-Burner Size: Single
Right Rear Element-Burner Type: Broil

Oven Features

Automatic Convection Conversion Temperature Adjust: No
Heating Element On Indicator Light: Yes
Hot Surface Indicator Light: Yes
Power On Indicator Light: 2400
Bake Element Power: 3400@240 V
Broiler Element Power: Top of Oven
Broiler Location: None
Convection Element Type: No
Convection Functions: No
Hidden Bake Element: Incandescent
Light Type: 1
Number of Oven Lights: 5
Number of Rack Guides: Thermal
Oven Cooking System: Standard
Oven Rack Type: Self-Cleaning
Self-Cleaning:

Controls

Drawer Type: Storage Drawer
Drawer Type: Metal
Handle Material: Automatic Door Latch, Clock, Control Lock, Sabbath Mode, Timer
Selections: Yes
Sabbath Mode: Yes
UL:

Dimensions

See Dimension Guide for Measurements

Depth: 46 7/8
Height: 29 7/8
Width:

This product has been discontinued, but there may be limited availability at your local retailer. Please visit our Single Oven Freestanding Category page to view all of our current models.

Register this product
Manuals & Literature
Schedule Service

MSRP is Manufacturer's Suggested Retail Price and may not necessarily be the price at which this product is sold in this consumer's area. Dealer alone determines actual price.
© Registered trademark/™ Trademark of Whirlpool, U.S.A. © 2015 Whirlpool Corporation. All Rights Reserved. All other trademarks are owned by their respective companies.

http://www.whirlpool.ca/en_CA/-/YWFE510S0ASJ-1304408/YWFE510S0AS/

5/10/2016

UK - 75 WALLACETON

LOT 189B-13

20-1456 'B'

THE HAMPTON

27 of 38

Whirlpool® 30" (76.2 cm) Freestanding Electric Range

PRODUCT MODEL NUMBERS

WFC110M0A	WFE330W0A	WFE530C0A
WFC120M0A	WFE510S0A	WFE540H0A
WFC130M0A	WFE520C0A	WFE710H0A
WFC150MLA	WFE524CLA	WFE714HLA
WFC310S0A	WFE524CLB	WFE720H0A
WFC340S0A	WFE524WLA	WFI910H0A
WFE320M0A	WFE525C0B	

Electrical: To properly install your range, you must determine the type of electrical connection you will be using and follow the instructions provided for it here.

• Range must be connected to the proper electrical voltage and frequency as specified on the model/serial number rating plate. The model/serial number rating plate is located on the left side frame behind the storage drawer panel or behind the top right side of the oven door. Refer to the figures in the "Product Dimensions" section of the "Location Requirements" section.

• This range is manufactured with the neutral terminal connected to the cabinet. Use a 3-wire, UL listed, 40- or 50-amp power supply cord (pigtail) (see following Range Rating chart). If local codes do not permit ground through the neutral, use a 4-wire power supply cord rated at 250 volts, 40 or 50 amps and investigated for use with ranges.

Range Rating*		
120/240 Volts	120/208 Volts	Amps
8.8 - 16.5 KW	7.8 - 12.5 KW	40 or 50**
16.6 - 22.5 KW	12.6 - 18.5 KW	50

*The NEC calculated load is less than the total connected load listed on the model/serial rating plate.

**If connecting to a 50-amp circuit, use a 50-amp rated cord with kit. For 50-amp rated cord kits, use kits that specify use with a nominal 1 $\frac{1}{8}$ " (34.9 mm) diameter connection opening.

• A circuit breaker is recommended.

CABINET OPENING DIMENSIONS

Cabinet opening dimensions shown are for 25" (64.0 cm) countertop depth, 24" (61.0 cm) base cabinet depth and 36" (91.4 cm) countertop height.

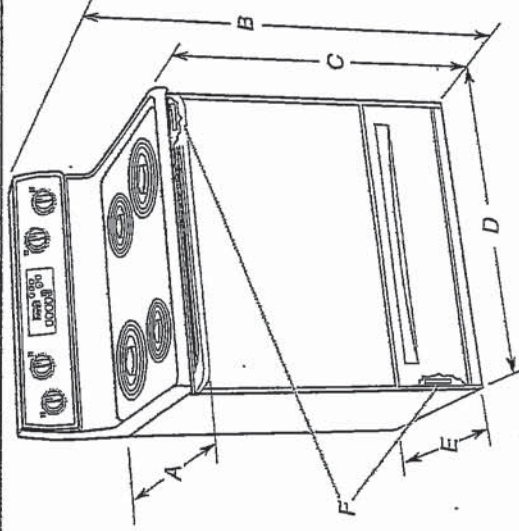
IMPORTANT: If installing a range hood or microwave hood combination above the range, follow the range hood or microwave hood combination installation instructions for dimensional clearances above the cooktop surface.

A freestanding range may be installed next to combustible walls with zero clearance.

*NOTE: 24" (61.0 cm) minimum when bottom of wood or metal cabinet is covered by not less than $\frac{1}{4}$ " (0.64 cm) flame retardant millboard covered with not less than No. 28 MSG sheet steel, 0.015" (0.4 mm) stainless steel, 0.024" (0.6 mm) aluminum or 0.020" (0.5 mm) copper.

24" (61.0 cm) minimum when bottom of wood or metal cabinet is covered by not less than $\frac{1}{4}$ " (0.64 cm) flame retardant millboard covered with not less than No. 28 MSG sheet steel, 0.015" (0.4 mm) stainless steel, 0.024" (0.6 mm) aluminum or 0.020" (0.5 mm) copper.

PRODUCT DIMENSIONS

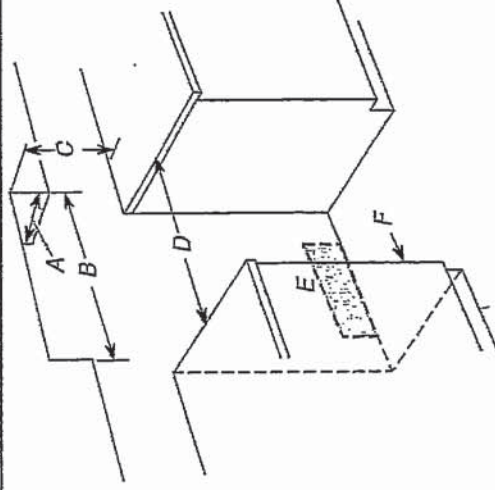


- A. 27 $\frac{3}{4}$ " (70.5 cm) max. depth with handle
- B. 46 $\frac{1}{2}$ " (119.1 cm) overall height (max.) with leveling legs screwed all the way in*
- C. 36" (91.4 cm) cooktop height (max.) with leveling legs screwed all the way in*
- D. 29 $\frac{1}{2}$ " (75.9 cm) width
- E. 25 $\frac{1}{8}$ " (64.3 cm) depth - back of range to front of cooktop**
- F. Model/serial rating plate (located on the left side frame behind storage drawer or right side of frame behind the oven door)

IMPORTANT: Range must be level after installation. Follow the instructions in the "Level Range" section. Using the cooktop as a reference for leveling the range is not recommended.

*Range can be raised approximately 1" (2.5 cm) by adjusting the leveling legs.

**Front of door and drawer may extend further forward depending on styling.



- A. 13" (33.0 cm) max. upper cabinet depth
- B. 30" (76.2 cm) min. opening width
- C. For minimum clearance to top of cooktop, see NOTE*
- D. 30 $\frac{1}{8}$ " (76.5 cm) min. opening width
- E. Outlet - 8" (20.3 cm) to 22" (55.9 cm) from either cabinet, 5 $\frac{1}{2}$ " (14.0 cm) max. from floor
- F. Cabinet door or hinges should not extend into the cutout

Because Whirlpool Corporation policy includes a continuous commitment to improve our products, we reserve the right to change materials and specifications without notice.

Dimensions are for planning purposes only. For complete details, see installation instructions packed with product. Specifications subject to change without notice.

Ref. W10409811B
9/10/13

UK - 75 WALLACETON
 LOT 189B-13
 20-1456 'B'
 THE HAMPTON

28 of 38

3.4

YWFE510

INSTALLATION REQUIREMENTS

Tools and Parts

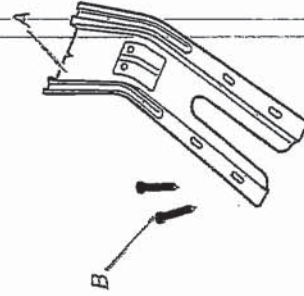
Gather the required tools and parts before starting installation. Read and follow the instructions provided with any tools listed here.

Tools needed

- Tape measure
- Marker or pencil
- Flat-blade screwdriver
- Masking tape
- Phillips screwdriver
- 1/4" drive ratchet
- Level
- 1/4" nut driver
- Hammer
- 3/8" and 5/16" nut driver
- Hand or electric drill
- 1/8" (3.2 mm) drill bit (for wood floors)
- Wrench or pliers

Parts supplied

Check that all parts are included.



A. Anti-tip bracket
 B. #12 x 1 1/8" screws (2)

- Anti-tip bracket must be securely mounted to floor or wall. Thickness of flooring may require longer screws to anchor bracket to floor.

Parts needed

Check local codes. Check existing electrical supply. See "Electrical Requirements" section. It is recommended that all electrical connections be made by a licensed, qualified electrical installer.

Location Requirements

- **IMPORTANT:** Observe all governing codes and ordinances. It is the installer's responsibility to comply with installation clearances specified on the model/serial rating plate. The model/serial rating plate is located on the frame behind a top corner of the door or either side of the drawer.
- To eliminate the risk of burns or fire by reaching over heated surface units, cabinet storage space located above the surface units should be avoided. If cabinet storage is to be provided, the risk can be reduced by installing a range hood that projects horizontally a minimum of 5" (12.7 cm) beyond the bottom of the cabinets.
- Cabinet opening dimensions that are shown must be used. Given dimensions are minimum clearances.
- The anti-tip bracket must be installed. To install the anti-tip bracket shipped with the range, see "Install Anti-Tip Bracket" section.
- Grounded electrical supply is required. See "Electrical Requirements" section.

IMPORTANT: To avoid damage to your cabinets, check with your builder or cabinet supplier to make sure that the materials used will not discolor, delaminate or sustain other damage. This oven has been designed in accordance with the requirements of UL and CSA International and complies with the maximum allowable wood cabinet temperatures of 194°F (90°C).

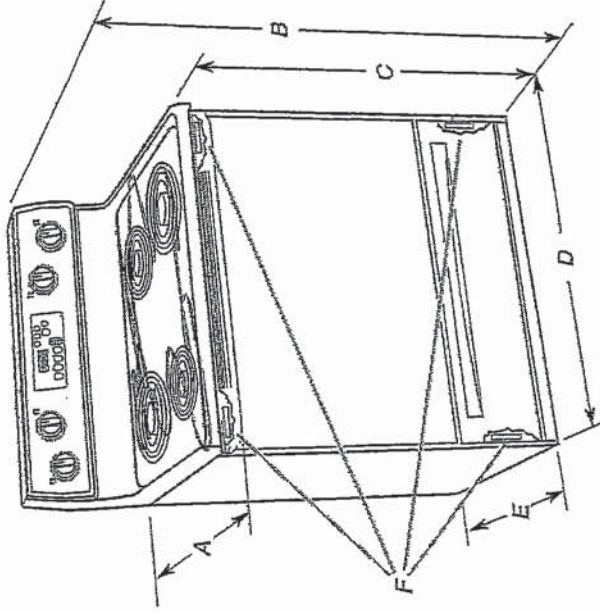
Mobile Home - Additional Installation Requirements

The installation of this range must conform to the Manufactured Home Construction and Safety Standard, Title 24 CFR, Part 3280 (formerly the Federal Standard for Mobile Home Construction and Safety, Title 24, HUD Part 280). When such standard is not applicable, use the Standard for Manufactured Home Installations, ANSI A225.1/NFPA 501A or with local codes. In Canada, the installation of this range must conform with the current standards CAN/CSA-Z240-latest edition, or with local codes.

Mobile home installations require:

- When this range is installed in a mobile home, it must be secured according to the instructions in this document.

Product Dimensions



- A. 27 1/4" (70.5 cm) max. depth with handle
- B. 46 3/8" (119.1 cm) overall height (max.) with leveling legs screwed all the way in*
- C. 36" (91.4 cm) cooktop height (max.) with leveling legs screwed all the way in*
- D. 29 1/2" (75.9 cm) width
- E. 25 3/8" (64.3 cm) depth - back of range to front of cooktop**
- F. Model/serial rating plate (located on the frame behind a top corner of the door or either side of the drawer)

IMPORTANT: Range must be level after installation. Follow the instructions in the "Level Range" section. Using the cooktop as a reference for leveling the range is not recommended.

*Range can be raised approximately 1" (2.5 cm) by adjusting the leveling legs.

**Front of door and drawer may extend further forward depending on styling.

UK - 75 WALLACETON
 LOT 189B-13
 20-1456 'B'
 THE HAMPTON

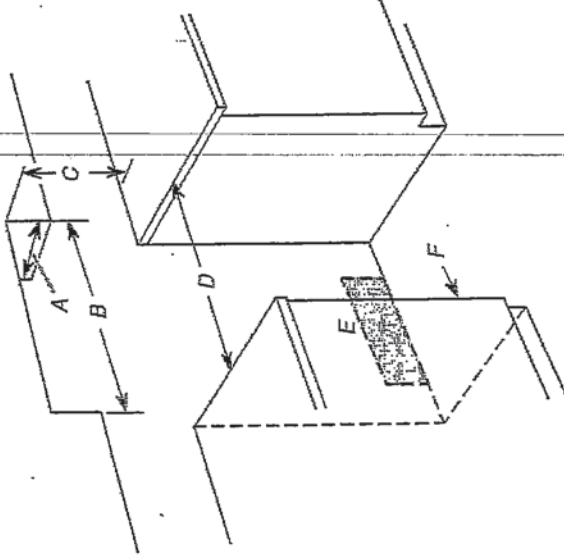
29 of 38

YWJFE 51050

Cabinet Dimensions

Cabinet opening dimensions shown are for 25" (64.0 cm) countertop depth, 24" (61.0 cm) base cabinet depth and 36" (91.4 cm) countertop height.

IMPORTANT: If installing a range hood or microwave hood combination above the range, follow the range hood or microwave hood combination installation instructions for dimensional clearances above the cooktop surface.



- A. 13" (33.0 cm) max. upper cabinet depth
- B. 30" (76.2 cm) min. opening width
- C. For minimum clearance to top of cooktop, see NOTE*
- D. 31" (78.7 cm) min. opening width
- E. Outlet - 8" (20.3 cm) to 22" (55.9 cm) from either cabinet, 7" (17.8 cm) max. from floor.
- F. Cabinet door or hinges should not extend into the cutout.

*NOTE: 24" (61.0 cm) minimum when bottom of wood or metal cabinet is covered by not less than 1/4" (0.64 cm) flame retardant millboard covered with not less than No. 28 MSG sheet steel, 0.015" (0.4 mm) stainless steel, 0.024" (0.6 mm) aluminum or 0.020" (0.5 mm) copper.

30" (76.2 cm) minimum clearance between the top of the cooking platform and the bottom of an uncovered wood or metal cabinet.

Electrical Requirements - Canada Only

! WARNING



Electrical Shock Hazard

Electrically ground range.

Failure to do so can result in death, fire, or electrical shock.

If codes permit and a separate ground wire is used, it is recommended that a qualified electrical installer determine that the ground path is adequate and wire gauge are in accordance with local codes.

Be sure that the electrical connection and wire size are adequate and in conformance with CSA Standard C22.1, Canadian Electrical Code, Part 1 - latest edition, and all local codes and ordinances.

A copy of the above code standards can be obtained from:

Canadian Standards Association
 178 Rexdale Blvd.

Toronto, ON M9W 1R3 CANADA

- Check with a qualified electrical installer if you are not sure the range is properly grounded.

Range Rating*

Specified Rating of Power Supply Cord Kit and Circuit Protection

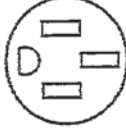
120/240 Volts	120/208 Volts	Amps
8.8 - 16.5 KW	7.8 - 12.5 KW	40 or 50**
16.6 - 22.5 KW	12.6 - 18.5 KW	50

*The NEC calculated load is less than the total connected load listed on the model/serial/rating plate.

**If connecting to a 50-amp circuit, use a 50-amp rated cord with kit. For 50-amp rated cord kits, use kits that specify use with a nominal 1/8" (34.9 mm) diameter connection opening.

- A time-delay fuse or circuit breaker is recommended.

- This range is equipped with a CSA International Certified Power Cord intended to be plugged into a standard 14-50R wall receptacle. Be sure the wall receptacle is within reach of range's final location.



- Do not use an extension cord.

INSTALLATION INSTRUCTIONS

Unpack Range

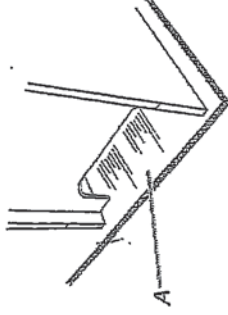
! WARNING

Excessive Weight Hazard

Use two or more people to move and install range.

Failure to do so can result in back or other injury.


1. Remove shipping materials, tape and film from range.
2. Remove oven racks and parts package from inside oven.
3. Do not remove the shipping base at this time.



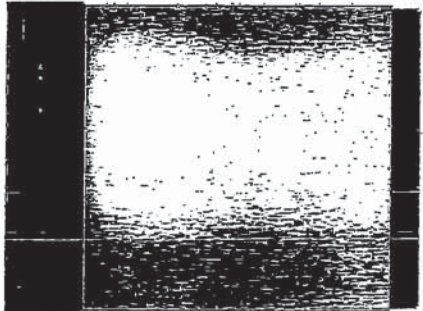
A. Shipping base

UK - 75 WALLACETON
 LOT 189B-13
 20-1456 'B'
 THE HAMPTON

30 of 38



Whirlpool®
 ENERGY STAR® Qualification



WDF310PAAS
Black-on-Stainless


OTHER AVAILABLE COLORS

Black
 Model: WDF310PAAB

Biscuit-on-Biscuit
 Model: WDF310PAAT

White
 Model: WDF310PAAW

Universal Silver
 Model: WDF310PAAD



DIMENSIONS	
Maximum Height	34 1/2 Inches
Minimum Height	33 1/2 Inches
Height	34 1/2 Inches
Depth	24 1/2 Inches
Width	23 7/8 Inches
<small>Dimensions shown are for planning purposes only. For complete information, see installation instructions packaged with product.</small>	
ELECTRICAL	
15 Amps Amps, 60 Hz, 120 V, 15.	
<small>Before purchasing this appliance, read important information about its estimated annual energy consumption or energy efficiency rating that is available from your dealer.</small>	

KEY FEATURES:

- ENERGY STAR® Qualified
- No One Has Fewer Repairs 17 Years In A Row
- Resource - Efficient Wash System
- CEE Tier 1 qualified
- Tall Tub Design
- White Plastic Interior
- Quiet Partner(TM) | Sound Package
- Auto Soil Sensor
- Electronic Controls
- 3 Automatic Cycles
- 1-Hour Wash Cycle
- Heavy Wash Cycle
- Normal Cycle
- 4 Options
- High Temperature Wash System
- Heated Dry Option
- 4 Hour Delay Wash Option
- 4-Tier SheerClean Direct Feed Wash System
- Control Lock
- Vinyl Racks
- In-Rack Silverware Basket

AK

UK - 75 WALLACETON
 LOT 189B-13
 20-1456 'B'
 THE HAMPTON

31 of 38

Whirlpool® Undercounter Dishwasher

PRODUCT MODEL NUMBERS

WDF110PAB
 WDF111PAB
 WDF120PAF
 WDF121PAF
 WDF310PAA
 WDF310PCA

WDE310ELA
 WDF320PAD
 WDF510PAY
 WDF520PAD
 WDF530PAY
 WDF530PLY

WDF530PSY
 WDF540PAD
 WDF730PAY
 WDT110PAY
 WDT720PAD
 WDT770PAY

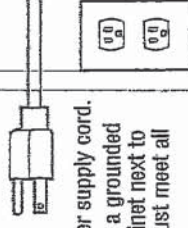
Electrical Requirements: 120-volt, 60-Hz, AC only, 15- or 20-amp, fused electrical supply. Copper wire only. A time delay fuse or circuit breaker and separate circuit is recommended.

If direct wiring dishwasher: Use flexible, armored, or nonmetallic, sheathed copper wire with grounding wire that meets the wiring requirements for your home and local codes and ordinances. Use a UL listed or CSA approved conduit connector.



If connecting dishwasher with a power supply cord:

Use Power Supply Cord Kit (Part No. 4317824) marked for use with dishwashers. Follow the kit



instructions for installing the power supply cord. Power supply cord must plug into a grounded 3 prong, outlet, located in the cabinet next to the dishwasher opening. Outlet must meet all local codes and ordinances.

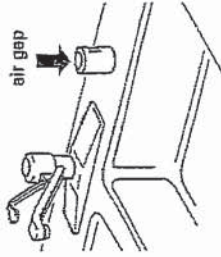
Water Supply Requirements: A hot water line with 20 to 120 psi (138 to 862 kPa) water pressure. Water temperature must be 120°F (49°C) water at dishwasher. Use 3/8" O.D. copper tubing with compression fitting or flexible/braided water supply line (1/2" minimum plastic tubing is not recommended). Use a 90° elbow with 1/4"N.P.T. external pipe threads on one end. Do not solder within 6" (15.2 cm) from water inlet valve.

Drain Requirements: A new drain hose is supplied with your dishwasher. If this is not long enough, use a new drain hose with a maximum length of 12' (3.7 m) (Part No. 3385556) that meets all current AHAM/JAPMO test standards, is resistant to heat and detergent, and fits the 1" (2.5 cm) drain connector of the dishwasher.

Make sure to connect the drain hose to waste tee or disposer inlet above drain trap in house plumbing and 20" (50.8 cm) minimum above the floor. It is recommended

that the drain hose either be looped up and securely fastened to the underside of the counter or be connected to an air gap.

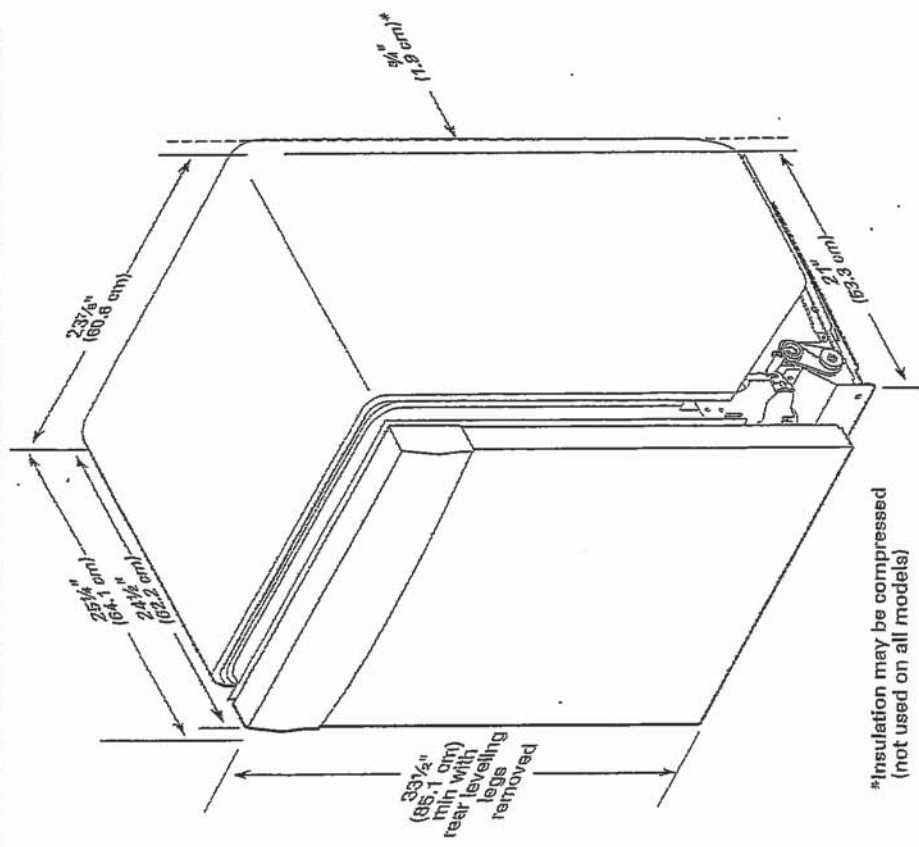
Make sure to use an air gap if the drain hose is connected to house plumbing lower than 20" (50.8 cm) above subfloor or floor.



Use 1/2" (1.3 cm) minimum I.D. drain line fittings.

If required, the air gap should be installed in accordance with the air gap installation instructions. When connecting the air gap, a rubber hose (not provided) will be needed to connect to the waste tee or disposer inlet.

PRODUCT DIMENSIONS

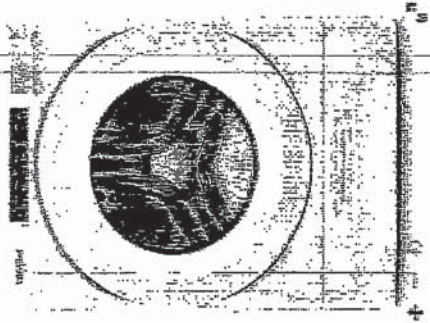


UK - 75 WALLACETON
 LOT 189B-13
 20-1456 'B'
 THE HAMPTON

33 of 38

WHIRLPOOL WASHER Model #: WFW5620HW

Whirlpool Brand Canada English | Washer and Dryer | Washers | Front Load Washers | WFW5620HW



5.2 cu. ft. I.E.C. Closet-Depth
 Front Load Washer with
 Load & Go™ Dispenser

Whirlpool 5.2 cu. ft. I.E.C. Closet-Depth Front Load Washer with Load & Go™
 Dispenser

Model #: WFW5620HW

Dimensions	
Depth	36.17 cm, 31-9/16 in
Depth With Door Open 90 Degree	143.51 cm, 56-1/2 in
Minimum Height	98.11 cm, 39-5/8 in
Width	68.58 cm, 27.0 in
Appearance	
LCD Touch Screen	No
Window	Yes
Details	
Drum Material	Stainless Steel
Cycles and Options	
Number of Wash Cycles	37
Electrical	
Hz	60
Power Cord Included	Yes

AC

UK - 75 WALLACETON
 LOT 189B-13
 20-1456 'B'
 THE HAMPTON

34 of 38

WHIRLPOOL WASHER Model #: WFW5620HW

LOCATION REQUIREMENTS

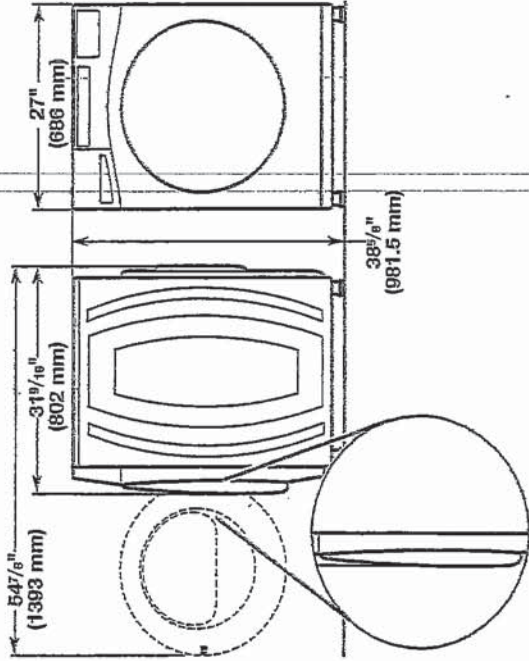
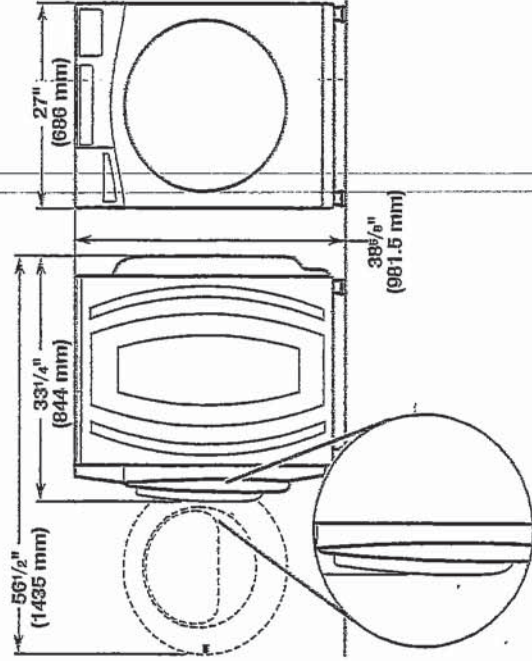
Proper installation is your responsibility.

You will need:

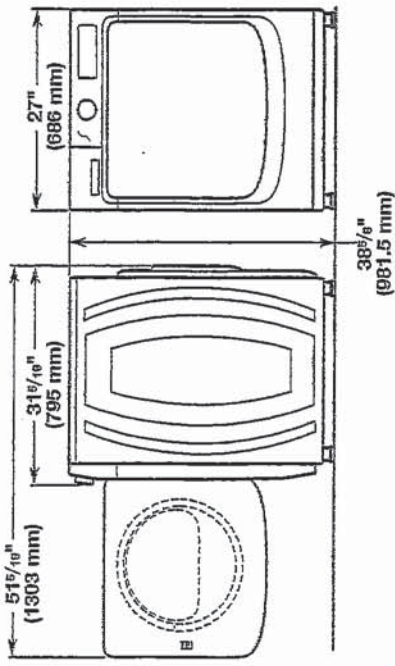
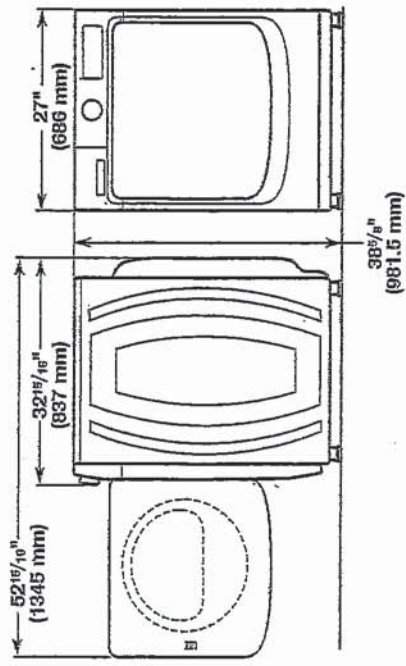
- A water heater set to 120°F (49°C).
- A grounded electrical outlet located within 6 ft (1.8 m) of power cord on back of washer.
- Hot and cold water faucets located within 4 ft (1.2 m) of hot and cold water fill valves on washer, and water pressure of 20–100 psi (137.9–689.6 kPa).
- A level floor with maximum slope of 1" (25 mm) under entire washer. Installing on carpet or surfaces with foam backing is not recommended.
- Floor must support washer's total weight (with water and load) of 315 lbs (143 kgs).

IMPORTANT: Do not install, store, or operate washer where it will be exposed to weather or in temperatures below 32°F (0°C). Water remaining in washer after use may cause damage in low temperatures. See "Washer Care" in your Use and Care Guide for winterizing information.

Whirlpool Models*

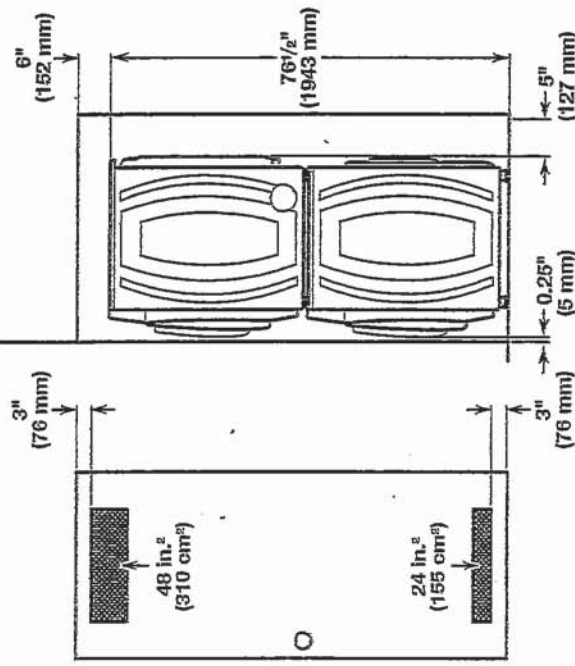


Maytag Models



All dimensions show minimum spacing allowed. For each arrangement, consider allowing more space for ease of installation and servicing, and spacing for companion appliances and clearances for walls, doors, and floor moldings. Space must be large enough to allow door to fully open. Add spacing of 1" (25 mm) on all sides of washer to reduce noise transfer. If a closet door or louvered door is installed, top and bottom air openings in door are required.

Recessed area or closet installation (stacked washer and dryer):



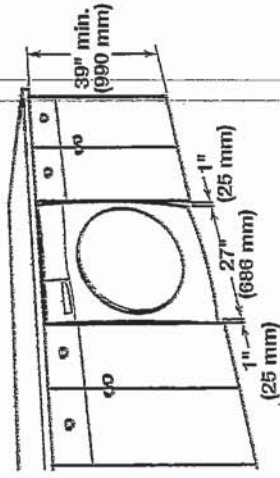
*For additional details (or information) specific to your model, refer to the 'Dimensions' listed for your model at www.whirlpool.com.

UK - 75 WALLACETON
 LOT 189B-13
 20-1456 'B'
 THE HAMPTON

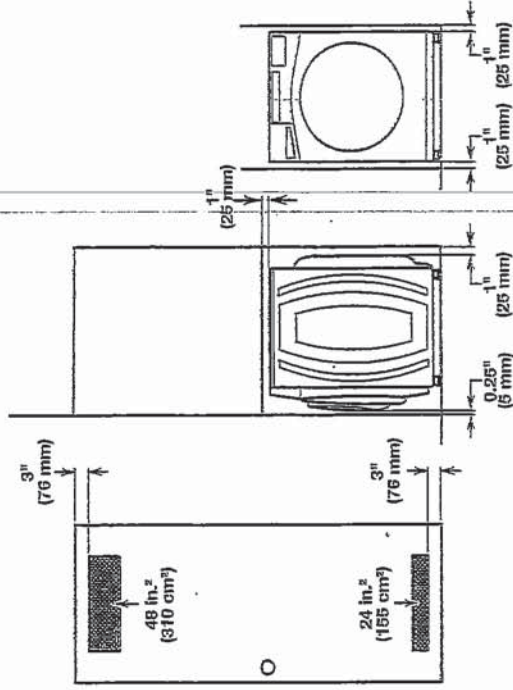
35 of 38

WHIRLPOOL WASHER Model #: WFW5620HW

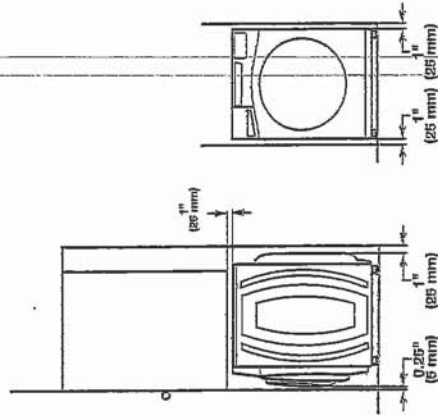
Custom under-counter installation:



Recessed area or closet installation:



Custom cabinet installation:

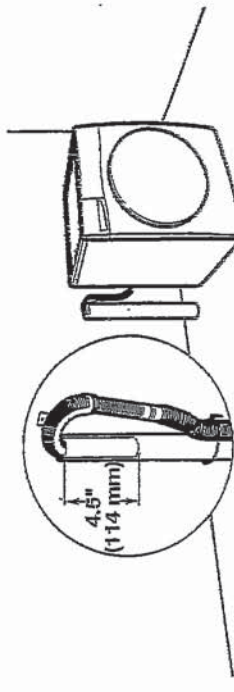


DRAIN SYSTEM

The drain system can be installed using a floor drain, wall standpipe, floor standpipe, or laundry tub. Select the method you need.

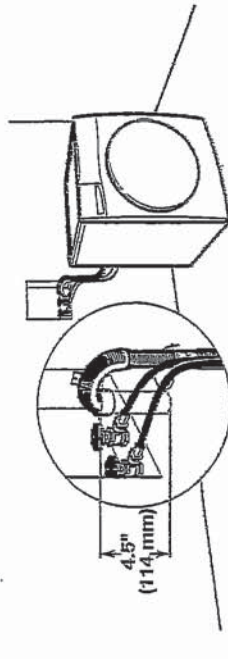
IMPORTANT: To avoid siphoning, only 4.5" (114 mm) of drain hose should be inside standpipe. Always secure drain hose with cable tie.

Floor standpipe drain system



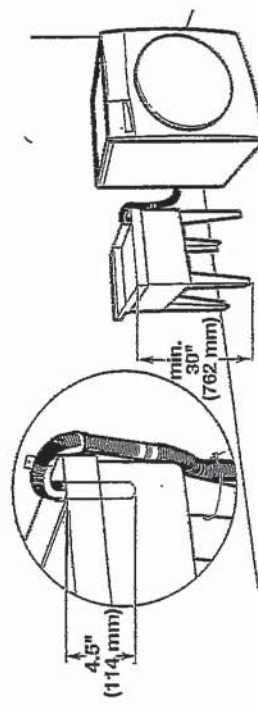
Minimum diameter for a standpipe drain: 2" (51 mm). Minimum carry-away capacity: 17 gal. (64 L) per minute. A 1/4" (6 mm) diameter to 1" (25 mm) diameter Standpipe Adapter Kit is available (Part Number 3363920). Top of standpipe must be at least 30" (762 mm) high; install no higher than 96" (2.44 m) from bottom of washer. If you have an overhead sewer and need to pump higher than 96" (2.44 m), a sump pump and associated hardware are needed. See "Alternate parts."

Wall standpipe drain system



See requirements for floor standpipe drain system.

Laundry tub drain system



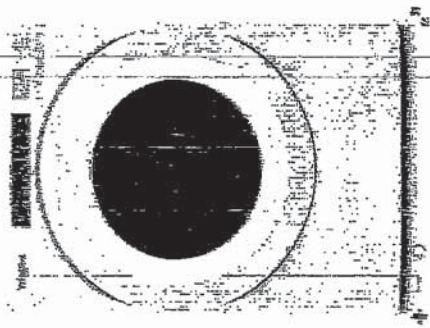
Minimum capacity: 20 gal. (76 L). Top of laundry tub must be at least 30" (762 mm) above floor; install no higher than 96" (2.44 m) from bottom of washer.

UK - 75 WALLACETON
 LOT 189B-13
 20-1456 'B'
 THE HAMPTON

36 of 38

WHIRLPOOL DRYER Model #: YWED5620HW

Whirlpool Brand Canada English | Washers and Dryers | Electric Dryers | YWED5620HW



Electric
 Touch-Sense
 Controls

7.4 cu. ft. Front Load Electric
 Dryer with Intuitive Touch
 Controls



Whirlpool 7.4 cu. ft. Front Load Electric Dryer with Intuitive Touch Controls

Model #: YWED5620HW

Dimensions	
Depth	76.74 cm, 30.0 in.
Depth With Door Open 90 Degree	136.43 cm, 54-1/2 in.
Height	98.42 cm, 39-3/4 in.
Width	69.59 cm, 27.0 in.
Configuration and Overview	
Fuel Type	Electric
Cycles and Options	
Cycle Time Remaining	Yes
Lint Filter Indicator	No
Number of Dryer Cycles	36
Number of Dryness Levels	3
Ventilation System	
Long Vent	No
Maximum Vent Length	64
Venting Direction	Left, Right, Bottom, Rear
Electrical	
Hz.	60
Power Cord Included	Yes

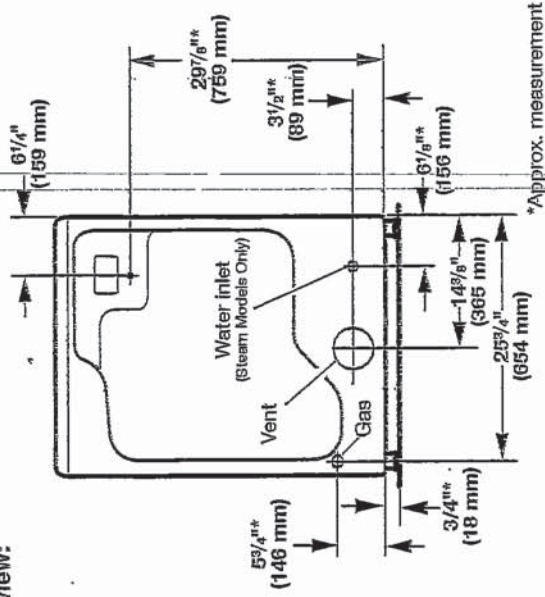
AK

UK - 75 WALLACETON
 LOT 189B-13
 20-1456 'B'
 THE HAMPTON

37 of 38

WHIRLPOOL DRYER Model #: YWED5620HW

Back view:



NOTE: Most installations require a minimum of 5" (127 mm) clearance behind dryer for exhaust vent with elbow. See "Venting Requirements."

Installation Clearances

For each arrangement, consider allowing more space for ease of installation and servicing, spacing for companion appliances, and clearances for walls, doors, and floor moldings. Space must be large enough to allow door to fully open. Add spacing on all sides of dryer to reduce noise transfer. If a closet door or louvered door is installed, top and bottom air openings in door are required.

Check code requirements. Some codes limit, or do not permit, installation of the dryer in garages, closets, mobile homes, or sleeping quarters. Contact your local building inspector.

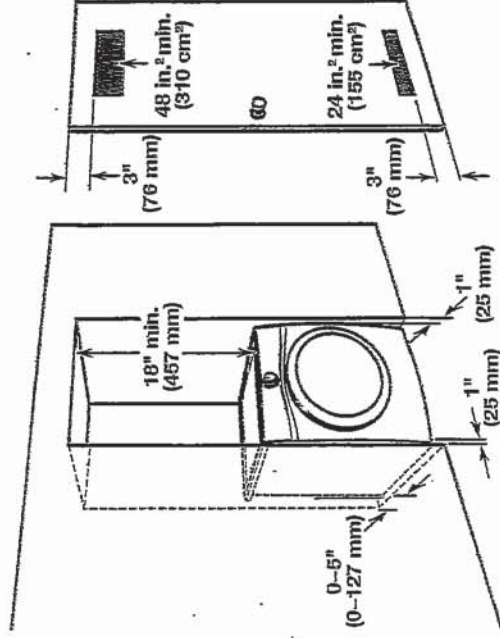
NOTE: No other fuel-burning appliance can be installed in the same closet as a dryer.

Installation spacing for recessed area or closet installation

All dimensions show recommended and minimum spacing allowed.

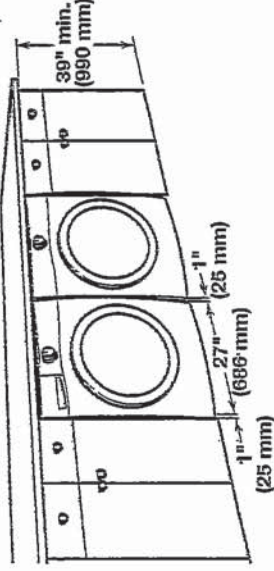
- Additional spacing should be considered for ease of installation and servicing.
- Additional clearances might be required for wall, door, floor moldings, dryer venting, and gas line.
- Additional spacing should be considered on all sides of the dryer to reduce noise transfer.
- For closet installation with a door, minimum ventilation openings in the top and bottom of the door are required. Louvered doors with equivalent ventilation openings are acceptable.
- Companion appliance spacing should also be considered.

Recommended installation clearances (dryer only):



0" (0 mm) rear spacing is allowed for straight back venting only. For steam models only, inlet hose must not be kinked.

Custom under-counter installation:



Mobile home - Additional installation requirements:

This dryer is suitable for mobile home installations. The installation must conform to the Manufactured Home Construction and Safety Standard, Title 24 CFR, Part 3280 (formerly the Federal Standard for Mobile home construction and Safety, Title 24, HUD Part 280) or Standard CAN/CSA-Z240 MH.

Mobile home installations require:

- Metal exhaust system hardware, available for purchase from your dealer. For further information, see "Assistance or Service" in your Use and Care Guide.
- Special provisions must be made in mobile homes to introduce outside air into dryer. Openings (such as a nearby window) should be at least twice as large as dryer exhaust opening.

For mobile home installation of gas dryers:

- Mobile Home Installation Hold-down Kit Part Number 346764 is available to order. For further information, see "Assistance or Service" in your Use and Care Guide.

UK - 75 WALLACETON
 LOT 189B-13
 20-1456 'B'
 THE HAMPTON

38 of 38

WHIRLPOOL DRYER Model #: YWED5620HW

Additional parts may be required, depending on your installation. Check local codes. Check existing electrical supply and venting. Read "Electrical Requirements" and "Venting Requirements" before purchasing parts.

if using a power supply cord:


- Use a UL Listed power supply cord kit marked for use with clothes dryers. The kit should contain:
 - A UL Listed 30 amp power supply cord, rated 120/240 volt minimum. The cord should be type SRD or SRDT and be at least 4 ft. (1.22 m) long. The wires that connect to the dryer must end in ring terminals or spade terminals with upturned ends.
 - A UL Listed strain relief.

Optional Equipment (not supplied with dryer):

Refer to your Use and Care Guide for information about accessories available for your dryer.

LOCATION REQUIREMENTS

Check code requirements. Some codes limit, or do not permit, installing dryer in garages, closets, mobile homes, or sleeping quarters. Contact your local building inspector.

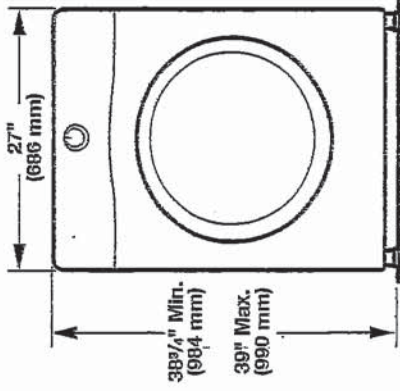
!WARNING

<p style="text-align: center;">Explosion Hazard</p> <p>Keep flammable materials and vapors, such as gasoline, away from dryer.</p> <p>Place dryer at least 18 inches (460 mm) above the floor for a garage installation.</p> <p>Failure to do so can result in death, explosion, or fire.</p>

You will need:

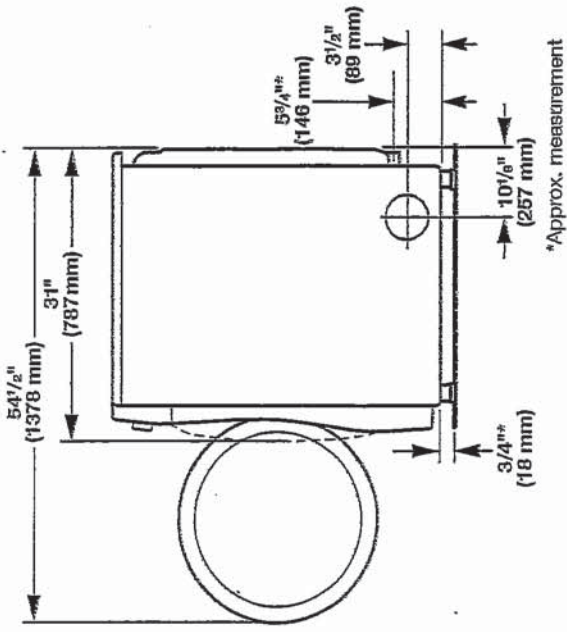
- A location allowing for proper exhaust installation. See "Venting Requirements."
 - A separate 15 or 20 amp circuit for a gas dryer or 30 amp circuit for an electric dryer.
 - If using power supply cord, a grounded electrical outlet located within 2 ft. (610 mm) of either side of dryer. See "Electrical Requirements."
 - Floor must support dryer weight of 200 lbs. (90.7 kg). Also consider weight of companion appliance.
 - Cold water faucets located within 4 ft. (1.2 m) of the water fill valves, and water pressure of 20-120 psi (138-827 kPa). You may use your washer's water supply by purchasing the necessary parts noted in "Parts needed."
 - Level floor with maximum slope of 1" (25 mm) under entire dryer. If slope is greater than 1" (25 mm), install Extended Dryer Feet Kit, Part Number 279810. If not level, clothes may not tumble properly and automatic sensor cycles may not operate correctly.
 - For garage installation, place dryer at least 18" (460 mm) above floor. If using a pedestal, you will need 18" (460 mm) to bottom of dryer.
 - The dryer must not be installed or stored in an area where it will be exposed to water and/or weather.
- IMPORTANT:** Do not operate, install, or store dryer where it will be exposed to water, weather, or at temperatures below 40°F (4°C). Lower temperatures may cause dryer not to shut off at end of automatic sensor cycles, resulting in longer drying times.

DRYER DIMENSIONS

Front view:

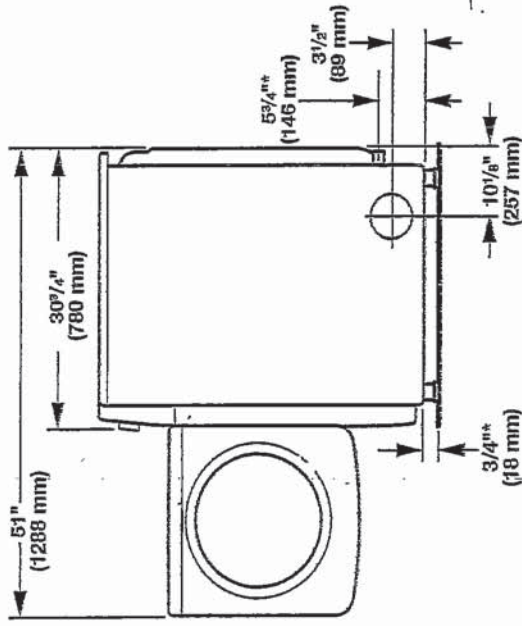


Side view:
 Whirlpool Models



*Approx. measurement

Maytag Models



*Approx. measurement