

INVENTORY LOT 189C-20/  
 Project: Wallaceton  
 Unit: 189C-20, Phase: 1  
 Model: 20-1456 A The Hampton

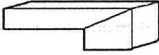
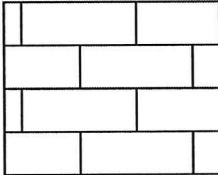
Created: 10/16/2019 10:45:34

Locked:

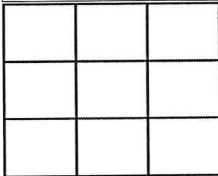
Closed:

10 of 40

**Kitchen**

Cabinet Colour/Style	9111	VIKING III SIMCOE ORCHID 3DL ***STD***
Countertop	8595	Group 2-Quartz-Caesarstone-OCEAN FOAM #6141-3/4 inch with built-up edge ***2***
Countertop Edge	4005	DOUBLE MITRE 1 1/2 INCH ***UPG*** 
Cabinet Hardware	2086	9677-HARDWARE ***STD***
Island Cabinet Colour/Style	9111	VIKING III SIMCOE ORCHID 3DL ***STD***
Island Countertop	8595	Group 2-Quartz-Caesarstone-OCEAN FOAM #6141-3/4 inch with built-up edge ***2***
Backsplash	5730	QT.CD.ARW.0306MT-Colour and Dimension Matte-Arctic White-3 x 6 ***STD***
Backsplash Grout	2226	Grout-(00) White ***STD***
Backsplash Tile Pattern	3060	HORIZONTAL BRICK ***STD*** 
HoodFan	34	AV1308 Air King 30 SPEC PAGE 8 PRE-SSS
Comment		

**Kitchen/Breakfast**

Flooring	9106	GE.MD.WHT.1818.MT Madison Series White Matte 18
Floor Tile Grout	2225	Grout-(27) Silver ***STD***
Floor Tile Pattern	3000	STANDARD SQUARE ***STD*** 
Comment		

**Hall**

# Customer Colours

71

INVENTORY LOT 189C-20/  
Project: Wallaceton  
Unit: 189C-20, Phase: 1  
Model: 20-1456 A The Hampton

Created: 10/16/2019 10:45:34

Locked:

Closed:

11 of 40

Flooring 7502 Red Oak Pearl-Vintage Engineered-ECLIPSE-3/4 inch x 3 1/4 inch \*\*\*STD\*\*\*

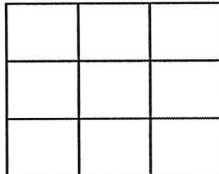
Comment

## Foyer

Flooring 9106 GE.MD.WHT.1818.MT Madison Series White Matte 18

Floor Tile Grout 2225 Grout-(27) Silver \*\*\*STD\*\*\*

Floor Tile Pattern 3000 STANDARD SQUARE \*\*\*STD\*\*\*



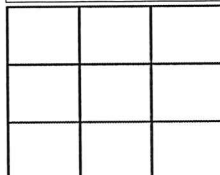
Comment

## Mud Room

Flooring 9106 GE.MD.WHT.1818.MT Madison Series White Matte 18

Floor Tile Grout 2225 Grout-(27) Silver \*\*\*STD\*\*\*

Floor Tile Pattern 3000 STANDARD SQUARE \*\*\*STD\*\*\*



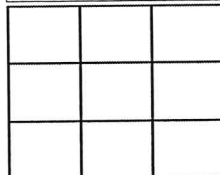
Comment

## Powder Room

Flooring 9106 GE.MD.WHT.1818.MT Madison Series White Matte 18

Floor Tile Grout 2225 Grout-(27) Silver \*\*\*STD\*\*\*

Floor Tile Pattern 3000 STANDARD SQUARE \*\*\*STD\*\*\*



Plumbing Fixture (Colour) 1737 Plumbing Fixtures-WHITE \*\*\*STD\*\*\*

INVENTORY LOT 189C-20/  
Project: Wallaceton  
Unit: 189C-20, Phase: 1  
Model: 20-1456 A The Hampton

Created: 10/16/2019 10:45:34

Locked:

Closed:

2 of 40

Comment

**Great Room**

Flooring

7502

Red Oak Pearl-Vintage Engineered-ECLIPSE-3/4 inch x 3  
1/4 inch \*\*\*STD\*\*\*

Comment

**Upper Hall**

Flooring

7502

Red Oak Pearl-Vintage Engineered-ECLIPSE-3/4 inch x 3  
1/4 inch \*\*\*3\*\*\*

Comment

**Finished Basement (Rec) Room/Hall**

Flooring

7625

T-15-Dynasty Tex-T-15-40 oz Poly \*\*\*STD\*\*\*

Comment

**Master Bedroom**

Flooring

7625

T-15-Dynasty Tex-T-15-40 oz Poly \*\*\*STD\*\*\*

Comment

**Bedroom 2**

Flooring

7625

T-15-Dynasty Tex-T-15-40 oz Poly \*\*\*STD\*\*\*

Comment

**Bedroom 3**

Flooring

7625

T-15-Dynasty Tex-T-15-40 oz Poly \*\*\*STD\*\*\*

INVENTORY LOT 189C-20/  
 Project: Wallaceton  
 Unit: 189C-20, Phase: 1  
 Model: 20-1456 A The Hampton

Created: 10/16/2019 10:45:34

Locked:

Closed:

13 of 40

Comment

**Master Ensuite**

Cabinet Colour/Style	9111	VIKING III SIMCOE ORCHID 3DL ***STD***									
Countertop	8822	4924-38-Countertop-WHITE CARRARA-Wilsonart ***STD***									
Countertop Edge	1111	N/A *****									
Cabinet Hardware	2086	9677-HARDWARE ***STD***									
Floor Tile	9071	GE.BY.AZR.1313 New Byzantine Azzuro 13									
Floor Tile Grout	2225	Grout-(27) Silver ***STD***									
Floor Tile Pattern	3000	STANDARD SQUARE ***STD*** <table border="1" style="width: 100px; height: 60px; margin-top: 5px;"> <tr><td></td><td></td><td></td></tr> <tr><td></td><td></td><td></td></tr> <tr><td></td><td></td><td></td></tr> </table>									
Shower Floor Tile	8661	OD.ON.SWT.0202.MT.N-Ontario Series Mosaic-Snow White Matte-2 x 2 ***STD***									
Shower Floor Tile Grout	2226	Grout-(00) White ***STD***									
Shower Floor Tile Pattern	3000	STANDARD SQUARE ***STD*** <table border="1" style="width: 100px; height: 60px; margin-top: 5px;"> <tr><td></td><td></td><td></td></tr> <tr><td></td><td></td><td></td></tr> <tr><td></td><td></td><td></td></tr> </table>									
Shower Wall Tile	8833	QT.UW.WHT.0810-Uniwall-White-8 x 10 ***STD***									
Shower Wall Tile Grout	2226	Grout-(00) White ***STD***									
Shower Wall Tile Pattern	3070	HORIZONTAL STACKED ***STD*** <table border="1" style="width: 100px; height: 60px; margin-top: 5px;"> <tr><td></td><td></td></tr> <tr><td></td><td></td></tr> <tr><td></td><td></td></tr> <tr><td></td><td></td></tr> </table>									
Shower Jamb(s) and Sill(s)	8923	Shower Jamb / Sill-Thassos White ***STD***									
Plumbing Fixture (colour)	1737	Plumbing Fixtures-WHITE ***STD***									

Comment

**Customer Colours**

INVENTORY LOT 189C-20/  
 Project: Wallaceton  
 Unit: 189C-20, Phase: 1  
 Model: 20-1456 A The Hampton

Created: 10/16/2019 10:45:34

Locked:

Closed:

14 OF 40

**Main Bathroom**

Cabinet Colour/Style	9120	VIKING III GEORGIAN SLAB ORCHID 3DL ***STD***									
Countertop	8796	6698-46-Countertop-PALOMA POLAR ETCHINGS FINISH-Formica ***STD***									
Countertop Edge	1111	N/A *****									
Cabinet Hardware	2086	9677-HARDWARE ***STD***									
Flooring	9071	GE.BY.AZR.1313 New Byzantine Azzuro 13									
Floor Tile Grout	2225	Grout-(27) Silver ***STD***									
Floor Tile Pattern	3000	STANDARD SQUARE ***STD*** <table border="1" style="width: 100px; height: 60px; margin-top: 5px;"> <tr><td> </td><td> </td><td> </td></tr> <tr><td> </td><td> </td><td> </td></tr> <tr><td> </td><td> </td><td> </td></tr> </table>									
Tub Wall Tile	8833	QT.UW.WHT.0810-Uniwall-White-8 x 10 ***STD***									
Tub Wall Tile Grout	2226	Grout-(00) White ***STD***									
Tub Wall Tile Pattern	3070	HORIZONTAL STACKED ***STD*** <table border="1" style="width: 100px; height: 60px; margin-top: 5px;"> <tr><td> </td><td> </td></tr> <tr><td> </td><td> </td></tr> <tr><td> </td><td> </td></tr> <tr><td> </td><td> </td></tr> </table>									
Plumbing Fixture (Colour)	1737	Plumbing Fixtures-WHITE ***STD***									
Comment											

**Finished Basement Bathroom**

Cabinet Colour/Style	9120	VIKING III GEORGIAN SLAB ORCHID 3DL ***STD***
Countertop	8800	P-345 LM-Countertop-INUKSHUK TAUPE-Arborite ***STD***
Countertop Edge	1111	N/A *****
Cabinet Hardware	2086	9677-HARDWARE ***STD***
Flooring	5609	GE.SU.GRY.1313 Sauble Grey 13

**Customer Colours**

INVENTORY LOT 189C-20/  
 Project: Wallaceton  
 Unit: 189C-20, Phase: 1  
 Model: 20-1456 A The Hampton

Created: 10/16/2019 10:45:34

Locked:

Closed:

15 of 40

Floor Tile Grout 2220 ~~Grout-(11) Sahara Beige \*\*\*UPG\*\*\*~~ Driftwood \*\*\*STD\*\*\*

Floor Tile Pattern 3000 STANDARD SQUARE \*\*\*STD\*\*\*  


Shower Floor Tile 8661 OD.ON.SWT.0202.MT.N-Ontario Series Mosaic-Snow White Matte-2 x 2 \*\*\*STD\*\*\*

Shower Floor Tile Grout 2226 Grout-(00) White \*\*\*STD\*\*\*

Shower Floor Tile Pattern 3000 STANDARD SQUARE \*\*\*STD\*\*\*  


Shower Wall Tile 8257 TR.ST.BYZ.0810-Serpentine-Beyaz/White-8 x 10 \*\*\*STD\*\*\*

Shower Wall Tile Grout 2226 Grout-(00) White \*\*\*STD\*\*\*

Shower Wall Tile Pattern 3070 HORIZONTAL STACKED \*\*\*STD\*\*\*  


Shower Jamb(s) 8923 Shower Jamb / Sill-Thassos White \*\*\*STD\*\*\*

Plumbing Fixture (Colour) 1737 Plumbing Fixtures-WHITE \*\*\*STD\*\*\*

Comment

**Great Room Fireplace**

Type 8865 Dimplex-Electric Fireplace-PF3033HL \*\*\*STD\*\*\*

Mantle 8891 NF-17-Paint Grade Mantle- Cabinet (Per Plan)-WHITE \*\*\*STD\*\*\*  
 PAGE 23

Surround Opt. 1111 N/A \*\*\*\*\*

Comment

**Basement Stairs**

Type 1714 Carpet Grade Stairs \*\*\*STD BASEMENT STAIRS\*\*\*

**Customer Colours**

INVENTORY LOT 189C-20/  
 Project: Wallaceton  
 Unit: 189C-20, Phase: 1  
 Model: 20-1456 A The Hampton

Created: 10/16/2019 10:45:34

Locked:

Closed:

16 of 40

Colour	7922	Eclipse (Pewter) STAIN TO COMPLIMENT HARDWOOD AND WILL VARY FROM FLOORING ***99***
Carpet Runner	1111	N/A *****
Handrail/Pickets/Post Type	9119	Handrail only on closed walls (one or two sides per building code) ***STD***
Handrail/Pickets/Post Colours	1111	N/A *****
Carpet	7625	T-15-Dynasty Tex-T-15-40 oz Poly ***STD***
Custom Stain/Paint	1111	N/A *****
Comment		

**Basement Stairs Landing(s)**

Flooring	7502	Red Oak Pearl-Vintage Engineered-ECLIPSE-3/4 inch x 3 1/4 inch ***3***
Comment		

**Main Stairs**

Type	1712	Oak Stairs ***STD MAIN STAIRS***
Colour	7922	Eclipse (Pewter) STAIN TO COMPLIMENT HARDWOOD AND WILL VARY FROM FLOORING ***99***
Carpet Runner	1111	N/A *****
Handrail/Pickets/Posts Type	7652	1 5/16 inch Square pickets with 3 1/2" Square/Cap Post(s)-ALL OAK ***STD***
Handrail/Pickets/Posts Colour	1111	N/A *****
Custom Stain/Paint	1111	N/A *****
Comment		

**Main Stairs Landing(s)**

Flooring	7502	Red Oak Pearl-Vintage Engineered-ECLIPSE-3/4 inch x 3 1/4 inch ***3***
----------	------	--

Customer Colours

71

INVENTORY LOT 189C-20/  
Project: Wallaceton  
Unit: 189C-20, Phase: 1  
Model: 20-1456 A The Hampton

Created: 10/16/2019 10:45:34

Locked:

Closed:

17 of 40

1/4 inch \*\*\*STD\*\*\*

Comment

[Empty comment box]

Throughout

Walls - Paint Colour	1717	22-Wall-WARM GREY ***STD***
Underpad	1079	500 Series-Underpad ***STD***
Thresholds	2232	Metal Thresholds ***STD***
Switches and Plug	5796	Decora White Switches and Plugs ***STD***
Trim Size	8705	4 1/4 Baseboard and 2 3/4 Casings ***STD***
Trim - Paint Colour	1716	Trim-WHITE ***STD***

Comment

[Empty comment box]

Purchaser: MODEL JAN. 7/20 *mRosen* Jan. 7<sup>th</sup> 20  
 INVENTORY LOT 189C-20 Date Decor Consultant Date

- APPROVED -

-01-06 2020

Purchaser: \_\_\_\_\_ \_\_\_\_\_ *mRosen* \_\_\_\_\_  
 Date Wallaceton Date Approved





# Sales Selection Sheet

Wallaceton

18 of 40

PURCHASER: INVENTORY LOT 189C-20

TEL:

LOT / UNIT	PHASE	MODEL
189C-20	1	20-1456 A The Hampton

It is herein understood and agreed between the undersigned parties hereto that the following changes shall be made to the above mentioned Agreement of Purchase and Sale in accordance with the agreement and except for such changes noted below, all other terms and conditions in the Agreement of Purchase and Sale shall remain as stated herein: It is further understood that and agreed that all changes and additions shall be installed as per builder's specifications, location and available selections. The Purchaser hereby agrees to purchase the following extras:

### APPLIANCES

1	SEE APPLIANCE SPECS PAGES 28-40 FOR MODEL HOME	Qty: 1
18,337	Note:	

### Cabinetry

*2 189,107 18,324	MASTER ENSUITE BATH- CABINETRY - 02D-CONVERT SINGLE SINK VANITY TO DOUBLE SINK VANITY (VANITY MUST BE AT LEAST 5' NOTE: UPGRADE COST INCLUDED IN PRE-SSS PLUMBING PAGE 3 OF 8 Note: SKETCH # 5 PAGE 22	Qty: 0
*3 188,999 18,326	CABINETRY - 10B-UPGRADE LEVELS 1-4, 5-7 DRAWERS FROM METABOX TO TANDEMBOX PER DRAWER. BD X 4, BPP X 3 FOR STANDARD KITCHEN BANK OF DRAWERS (4) AND POT AND PAN DRAWERS (3) Note: SEE SKETCH # 4 PAGE 21	Qty: 7
*4 189,124 18,328	MASTER ENSUITE BATHROOM- CABINETRY - 11D-VANITY BANK OF DRAWERS (MAX. WIDTH 55CM) - UPGRADE 1 TO BE INSTALLED IN OPTIONAL DOUBLE SINK VANITY Note: SEE SKETCH # 5 PAGE 22	Qty: 1
5 189,005 18,329	CABINETRY - 12B-POTS AND PANS DRAWERS (WIDTH MIN. 60CM/MAX. 90CM) (SIZE SUBJECT TO FLOOR PLAN) - UPGRADE 1 Note: SKETCH # 4 PAGE 21	Qty: 1
*6 189,137 18,330	MASTER ENSUITE BATHROOM VANITY CABINETRY - 14D-UPGRADE LEVELS 1-4, 5-7 DRAWERS FROM METABOX TO TANDEMBOX PER DRAWER. VBD X 4- 2 ADDITIONAL DRAWERS ADDED TO STANDARD SINGLE SINK VANITY WITH 2 STANDARD SOFT CLOSE DRAWERS Note: SEE SKETCH # 5 PAGE 22	Qty: 2
7 175,804 18,331	CABINETRY - OPT LIGHT VALANCE - KITCHEN Note:	Qty: 1
8 189,288 18,334	CABINETRY - 03D-INCREASE VANITY TO KITCHEN HEIGHT 3' OR LESS (90CM HIGH, MAINTAINS VANITY DEPTH) ; PRICE ALL THE SAME FOR ALL LINES - KITCHEN Note: SKETCH # 5 PAGE 22	Qty: 1
9 189,207 18,335	CABINETRY - 30H-WALL CABINET WITH SHELF FOR MICROWAVE (FINISHED INTERIOR) (OPENING 24"W X 13 3/4"H X 17"D) - UPGRADE 1 Note: LOCATE BESIDE FRIDGE SEE SKETCH # 4 PAGE 21	Qty: 1

### Ceramics

10 175,977 18,318	CERAMICS - BACKSPLASH - KITCHEN - UPGRADE 1 Note:	Qty: 1
-------------------------	--	--------

Initials: MR

TAX#:1

PREPARED BY: Marilyn Rosen

PE 191-1

SInvoice.rpt 28may19



Sales Selection Sheet  
Wallaceton

19 of 40  
TEL:

PURCHASER: INVENTORY LOT 189C-20

LOT / UNIT	PHASE	MODEL
189C-20	1	20-1456 A The Hampton

**Ceramics**

11 175,913 18,319	CERAMICS - FLOOR - FOYER - UPGRADE 1 <b>Note:</b>	Qty: 1
12 175,937 18,320	CERAMICS - FLOOR - KITCHEN - UPGRADE 1 <b>Note:</b>	Qty: 1
13 175,929 18,321	CERAMICS - FLOOR - MUD ROOM - UPGRADE 1 <b>Note:</b>	Qty: 1
14 175,921 18,322	CERAMICS - FLOOR - POWDER ROOM - UPGRADE 1 <b>Note:</b>	Qty: 1

**ELECTRICAL**

15 18,332	NOTE: KITCHEN VALANCE AND LIGHTING - SEE CABINETRY UPGRADE <b>Note:</b>	Qty: 1
*16 189,440 18,336	KITCHEN- ELECTRICAL - EXTRA WALL INTERIOR OUTLET (120V/15A) ON A SEPARATE CIRCUIT (ON ARCFULT) INSTALL IN UPPER MICROWAVE SHELF <b>Note:</b> SEE SKETCH # 4 PAGE 21	Qty: 1

**Granite**

17 176,010 18,316	GRANITE - COUNTERTOP - 3/4" GROUP 2 WITH MITRE EDGE - KITCHEN / ISLAND - UPGRADE 2 <b>Note:</b>	Qty: 1
-------------------------	--	--------

**Hardwood**

18 176,072 18,317	HARDWOOD - VINTAGE - 3-1/4" RED OAK ENGINEERED - UPPER HALL - STANDARD SERIES <b>Note:</b>	Qty: 1
-------------------------	---	--------

**Mirrors/Glass Pro**

19 176,093 18,339	MIRRORS/GLASS PRODUCTS - UPGRADE TO FRAMELESS CLEAR GLASS WITH D-RING HANDLE IN CHROME - OPTIONAL ENSUITE MASTER <b>Note:</b> SKETCH # 5 PAGE 22	Qty: 1
-------------------------	---	--------

**MISC.**

20 18,338	THIS HOUSE IS AN OPTIONAL MASTER ENSUITE BATHROOM AS BUILT PER SKETCH # 3 PAGE 7 OF PRE-SSS UPGRADE NOT CHARGED ON ORIGINAL PRE-SSS <b>Note:</b> SEE SKETCH # 5 PAGE 22	Qty: 1
--------------	--	--------

TAX#:1

PREPARED BY: Marilyn Rosen

PE 191-2

S\invoice.rpt 28may19



Sales Selection Sheet

Wallaceton

20 OF 40

PURCHASER: INVENTORY LOT 189C-20

TEL:

LOT / UNIT 189C-20	PHASE 1	MODEL 20-1456 A The Hampton	
-----------------------	------------	--------------------------------	--

1. This Sales Selection Sheet when properly executed forms part of our Agreement of Purchase and Sale.
2. All extras and upgrades listed above are subject to Construction Progress and Architectural and Municipal requirements.
3. In the event the Vendor is unable to incorporate the work approved above in the construction of the house for any reason whatsoever, the Vendor will not be liable to the Purchaser in any way. The monies paid for any changes or optional extras not proceeded with shall be returned to the Purchaser, without interest. The cost of options or extras is non-refundable in all other circumstances. If for any reason whatsoever the Agreement of Purchase and Sale is not completed, the total cost of work approved above will be retained by the Vendor.
4. The Vendor reserves the right to substitute above materials and equipment with that of equal or better quality.
5. Purchaser acknowledges that items may not be exactly as shown. Variations from the Vendor's samples may occur in finished materials due to normal production processes. Vendor is not responsible for shade difference which may occur from different dye lots or wood grains. Variations from the Vendor's samples will occur with natural materials such as wood, marble, granite, hardwood and brick.
6. The Vendor reserves the right to select Grout & Thresholds that best suits the Tile selected.
7. Selections will not be processed unless signed by Heathwood Homes Head Office.
8. The selections made on this schedule are final and cannot be changed once submitted.
9. The Purchaser has checked and acknowledges the accuracy of this schedule.

Payment Summary	
<u>Paid By</u>	<u>Amount</u>
<u>Total Payment:</u>	

PURCHASER: MODEL 07-Jan-20 MARILYN ROSEN 07-Jan-20  
INVENTORY LOT 189C-20 DATE Decor Consultant DATE

- APPROVED -

-01-06-2020

*M. Rosen*

Date Approved Heathwood Homes (Huron) Limited

TAX#:1

PREPARED BY: Marilyn Rosen

PE 191-3

SInvoice.rpt 28may19

UK - 75 WALLACETON  
LOT 189C-20  
20-1456 ELEV. A  
THE HAMPTON

21 of 40

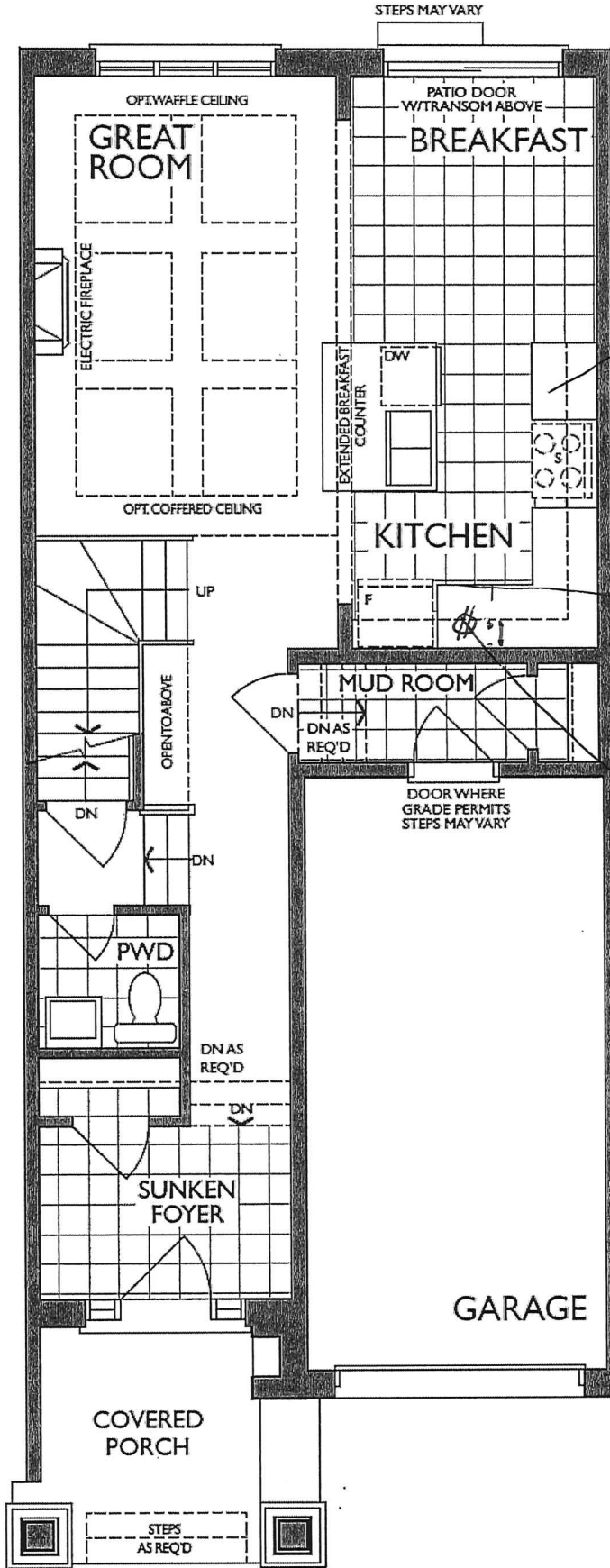
# 20-1456 ELEV. A

# THE HAMPTON

ELEVATION A | 1,785 SQ. FT.

Includes 329 square feet of finished lower level

Sketch # 4



POT AND PAN DRAWERS  
TANDEM BOX SOFT CLOSE

UPGRADE STD BANK  
OF DRAWERS TO  
TANDEM SOFT CLOSE

UPPER  
MICROWAVE SHELF  
WITH 15AMP PLUG  
ON SEPARATE CIRCUIT

MAIN FLOOR  
ELEVATION A

UK - 75 WALLACETON  
LOT 189C-20  
20-1456 ELEV. A  
THE HAMPTON

22 of 40

Sketch # 5

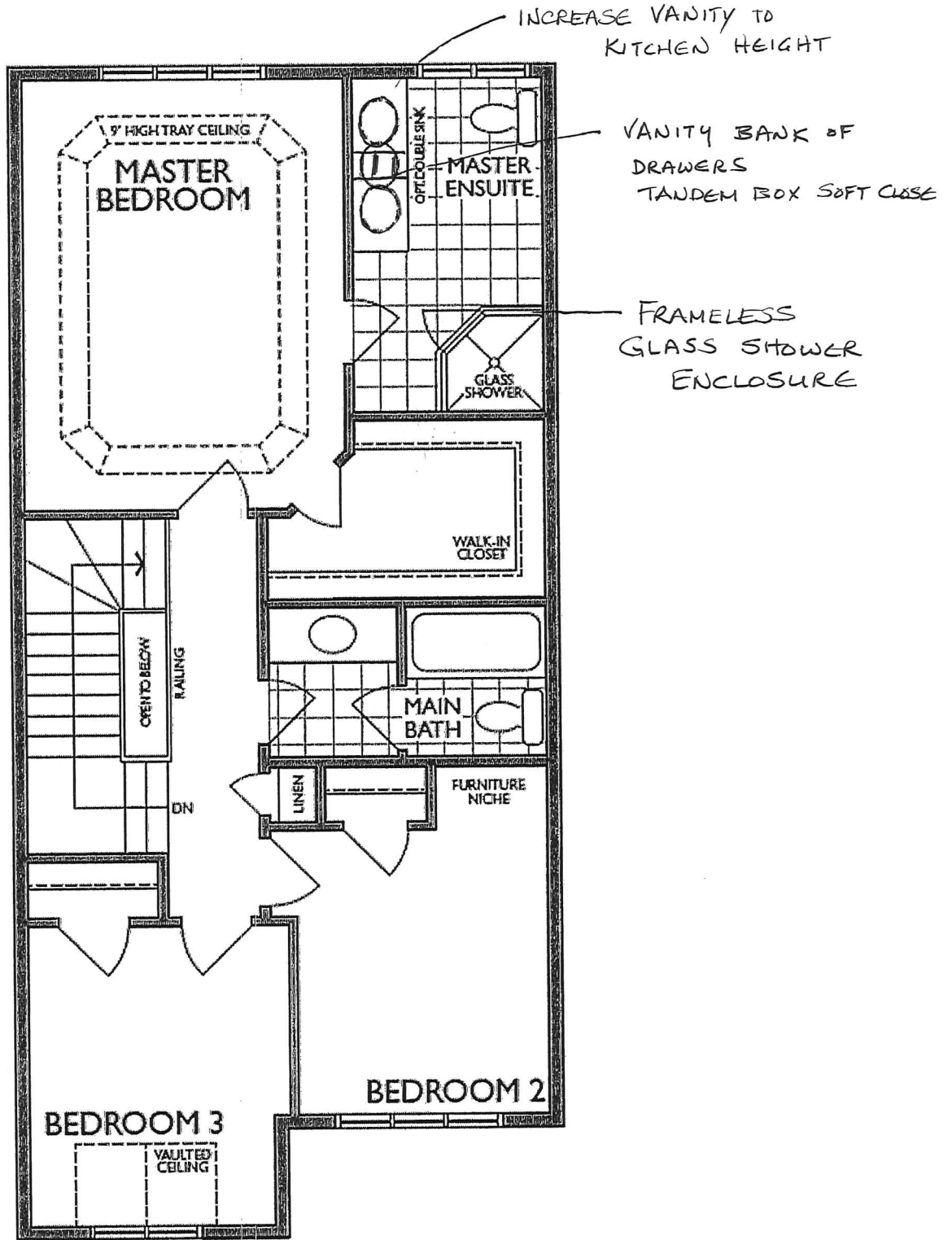
20-1456 ELEV. A

THE HAMPTON

ELEVATION A | 1,785 SQ. FT.

Includes 329 square feet of finished lower level

Opt. Master Ensuite



SECOND FLOOR  
ELEVATION A  
OPT. MASTER ENSUITE

UK - 75 WALLACETON  
LOT 189C-20  
20-1456 ELEV. A  
THE HAMPTON

23 of 40



**STANDARD NF 15 Mantel** X

Clean apron finish with fluted legs

**WHITE PAINT GRADE FINISH**

*(PICTURE SHOWN WITH UPGRADE SURROUND AND HEARTH -PRICED SEPARATELY)*



CABINET STYLE

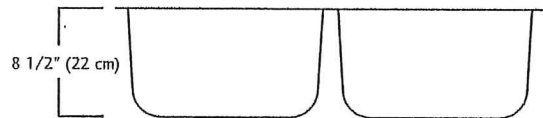
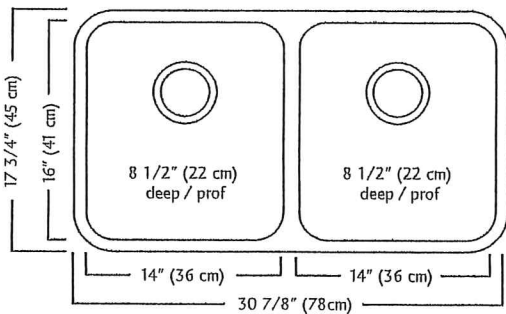
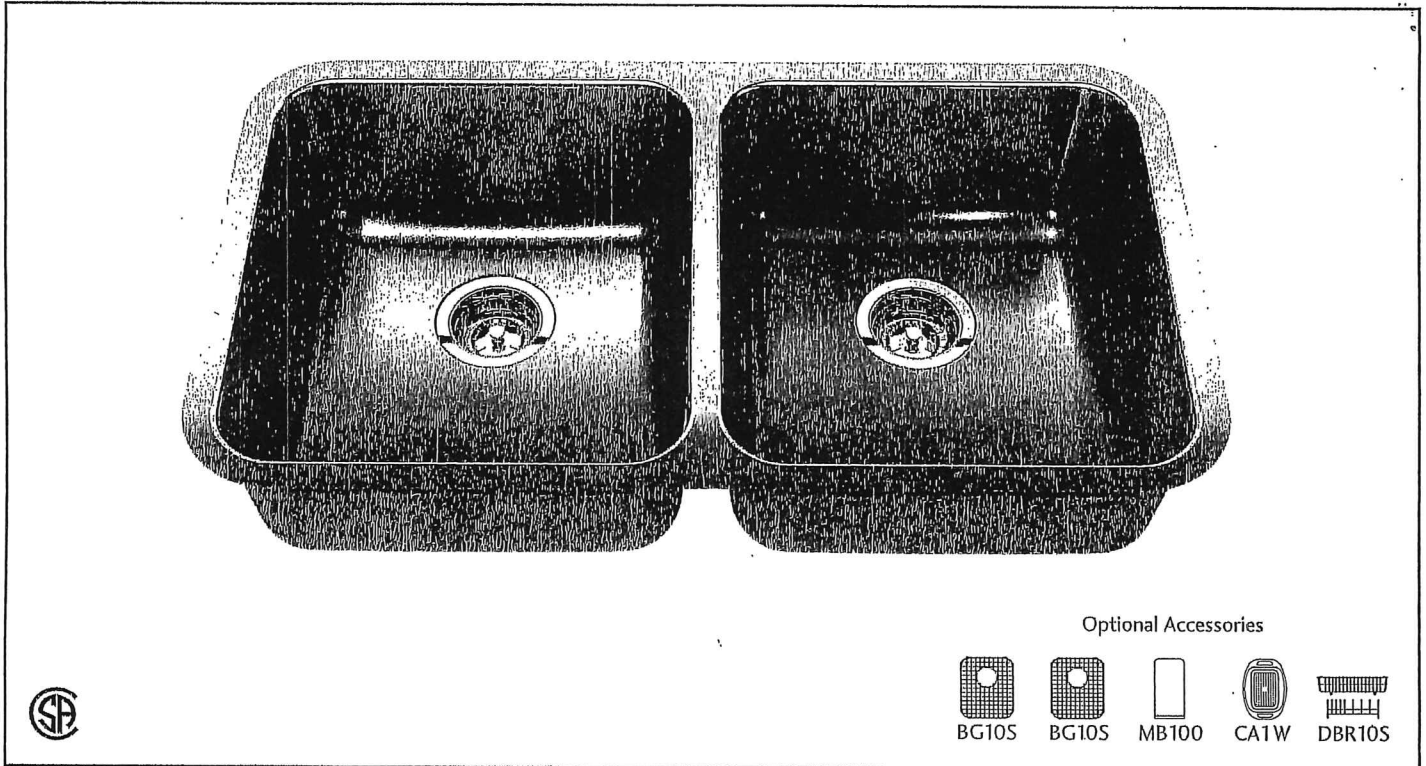
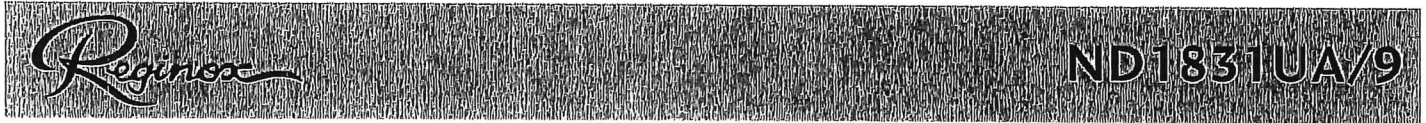
**STANDARD NF 17 Mantel** ✓

**WHITE PAINT GRADE FINISH**

*(PICTURE SHOWN WITH UPGRADE SURROUND AND HEARTH -PRICED SEPARATELY)*

UK - 75 WALLACETON  
 LOT 189C-20  
 20-1456 ELEV. A  
 THE HAMPTON

24 of 40



### ND1831UA/9 SPECIFICATION

Model ND1831UA/9 is a double (two equal size) bowl undermount sink manufactured by Franke Kindred Canada Limited from 18 gauge stainless steel. Product has silk finished rims and linear brush finished bowls. Sink is fully undercoated. Basket strainer waste fittings (3 1/2", 89 mm) are included. Sink is backed with a limited lifetime warranty.

- O.D. 17 3/4" x 30 7/8" x 8 1/2" (45 x 78 x 22 cm)
- Recommended for minimum 36" cabinet

Franke Kindred Canada Limited  
 P.O. Box 190, 1000 Franke Kindred Road, Midland, Ontario, Canada, L4R 4K9 Phone: 866-687-7465 Fax: 800-361-8408

UK - 75 WALLACETON  
LOT 189C-20  
20-1456 ELEV. A  
THE HAMPTON

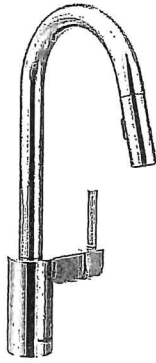
25 of 40

---

STANDARD KITCHEN FAUCET

Align

Modern



Single Handle Pull-Down Kitchen  
Faucet\*

Model 7565†

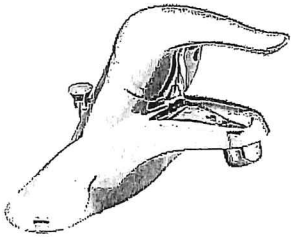


UK - 75 WALLACETON  
LOT 189C-20  
20-1456 ELEV. A  
THE HAMPTON

26 of 40

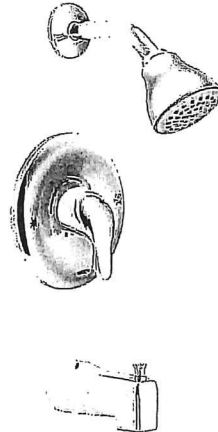
# Chateau

Transitional



Lavatory Faucet with Pop-Up Drain  
Model L4621†

VANITY SINKS AND PEDESTAL



Posi-Temp® Pressure Balancing Tub/Shower  
Model 62320 / TL183†

OR

Posi-Temp Valve and Tub/Shower Trim  
with Eco-Performance Easy Clean® XL

Model 62320 / TL183EP†

(TL183EP not available in BC)

SHOWER AND 5' TUB FAUCETS



~~2 Handle Roman Tub with 9" Spout  
Model 4796 / T990†~~

~~FREESTANDING TUB FAUCETS~~

OPT. ENSUITE  
PLAN



UK - 75 WALLACETON  
 LOT 189C-20  
 20-1456 ELEV. A  
 THE HAMPTON

28 of 40

**Whirlpool® Bottom Mount Refrigerator**

**PRODUCT MODEL NUMBERS**

WRF532SMB      WRF535SWB  
 WRF535SMB      WRF540CWB

**Electrical:** A 115-volt, 60-Hz, AC-only, 15- or 20-amp fused, grounded electrical supply is required. It is recommended that a separate circuit serving only your refrigerator be provided. Use an outlet that cannot be turned off by a switch. Do not use an extension cord.

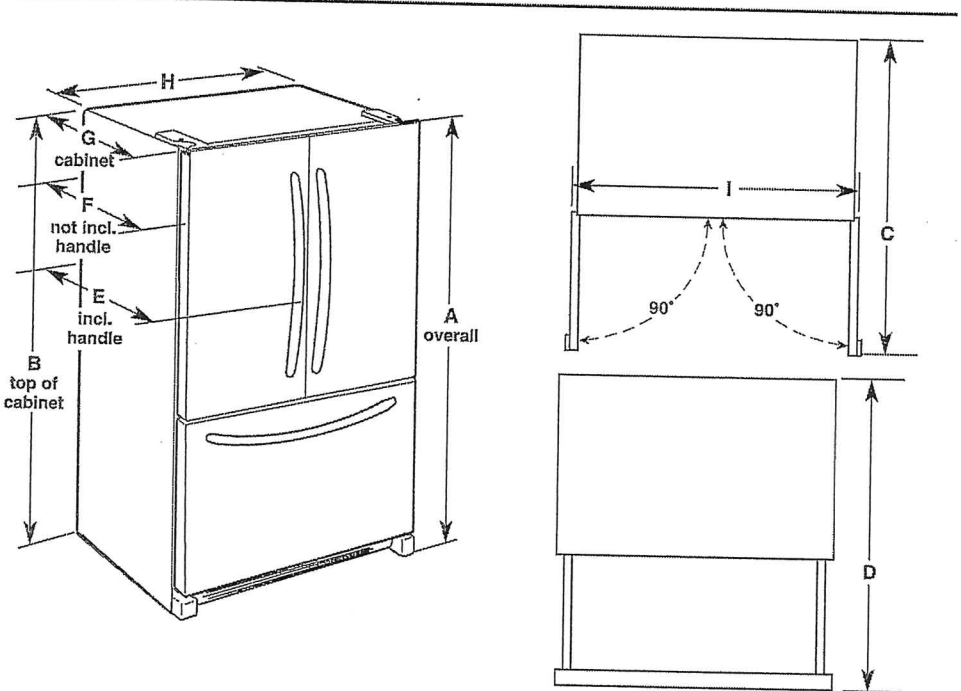
**NOTE:** Before performing any type of installation, cleaning, or removing a light bulb, turn the control (Thermostat, Refrigerator or Freezer Control depending on the model) to OFF and then disconnect the refrigerator from the electrical source. When you are finished, reconnect the refrigerator to the electrical source and reset the control (Thermostat, Refrigerator or Freezer Control depending on the model) to the desired setting. See "Using the Controls."

**Water:** A cold water supply with water pressure between 30 and 120 psi (207 and 827 kPa) is required to operate the ice maker and water dispenser. If you have questions about your water pressure, call a licensed, qualified plumber.

**IMPORTANT:** The pressure of the water coming out of a reverse osmosis system going to the water inlet valve of the refrigerator needs to be between 35 and 120 psi (241 and 827 kPa).

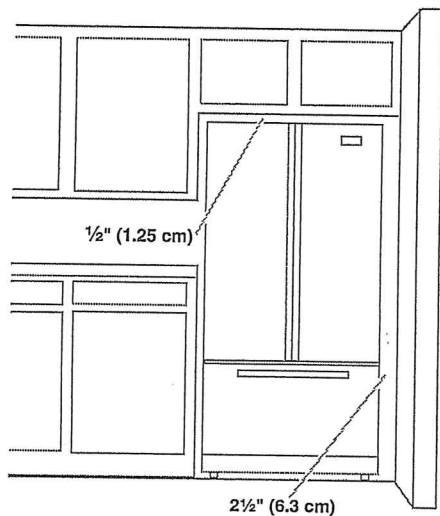
**Reverse Osmosis Water Supply:** If a reverse osmosis water filtration system is connected to your cold water supply, the water pressure to the reverse osmosis system needs to be a minimum of 40 to 60 psi (276 to 414 kPa).

**PRODUCT DIMENSIONS**



Model Number/ Size	Height - Overall "A"	Height - Top of Cabinet "B"	Depth - Doors Open 90° "C"	Depth - Drawer Open "D"	Depth - With Handles "E"	Depth - Without Handles "F"	Depth - Cabinet Only "G"	Width - Cabinet "H"	Width - Door Open 90° "I"
WRF535SWB 25.2 cu. ft.	70 1/8" (178.1 cm)	68 1/8" (174.8 cm)	48 1/8" (122.1 cm)	53 1/8" (135 cm)	35 1/8" (90 cm)	32 1/8" (83.7 cm)	29 1/8" (74 cm)	35 1/8" (90.5 cm)	43 3/8" (110.2 cm)
WRF535SMB 25.2 cu. ft.	70 1/8" (178.1 cm)	68 1/8" (174.8 cm)	48 1/8" (122.1 cm)	53 1/8" (135 cm)	35 1/8" (90 cm)	32 1/8" (83.7 cm)	29 1/8" (74 cm)	35 1/8" (90.5 cm)	43 3/8" (110.2 cm)
WRF532SMB 22.1 cu. ft.	70 1/8" (178.1 cm)	68 1/8" (174.8 cm)	47 1/8" (119.5 cm)	52 1/8" (132.4 cm)	34 1/8" (87.5 cm)	31 1/8" (81.1 cm)	28 1/8" (71.4 cm)	32 1/8" (82.9 cm)	42 3/8" (107.6 cm)
WRF540CWB 20 cu. ft.	70 1/8" (178.1 cm)	68 1/8" (174.8 cm)	48" (121.9 cm)	44 1/2" (113.0 cm)	29 1/8" (74.6 cm)	28" (71.1 cm)	24 1/8" (61.3 cm)	35 1/8" (90.5 cm)	39 3/8" (100.0 cm)

**LOCATION REQUIREMENTS**



To ensure proper ventilation for your refrigerator, allow for a 1/2" (1.25 cm) space on each side and at the top. Allow for 1" (2.54 cm) of space behind the refrigerator. If your refrigerator has an ice maker, make sure you leave some extra space at the back for the water line connections.

If you are installing your refrigerator next to a fixed wall, leave 2 1/2" (6.3 cm) minimum on the hinge side (some models require more) to allow for the door to swing open.

**NOTE:** This refrigerator is intended for use in a location where the temperature ranges from a minimum of 55°F (13°C) to a maximum of 110°F (43°C). The preferred room temperature range for optimum performance, which reduces electricity usage and provides superior cooling, is between 60°F (15°C) and 90°F (32°C). It is recommended that you do not install the refrigerator near a heat source, such as an oven or radiator.

Because Whirlpool Corporation policy includes a continuous commitment to improve our products, we reserve the right to change materials and specifications without notice.

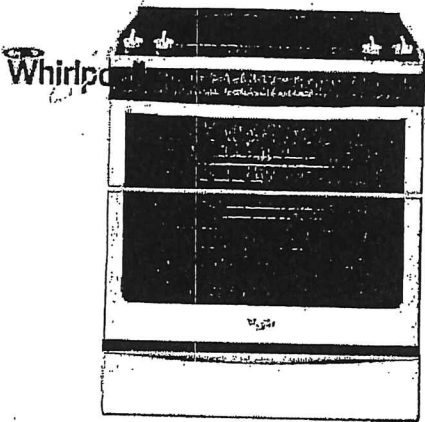
Dimensions are for planning purposes only. For complete details, see Installation Instructions packed with product. Specifications subject to change without notice.

Ref. W10597594B  
10/1/14

UK - 75 WALLACETON  
LOT 189C-20  
20-1456 ELEV. A  
THE HAMPTON

29 of 40

Whirlpool 6.2 cu. ft. Front-Control Electric Stove with TimeSavor™ Convection (YWEE... Page 1 of 2



Whirlpool 6.2 cu. ft. Front-Control Electric Stove with TimeSavor™ Convection

Print

BASE MSRP  
\$1,799.99

Choose A Color  
Stainless Steel

2.4

20 Reviews Write a Review

where to buy

Add to Compare

AVAILABLE COLOR OPTIONS



3 SHARE

Stainless Steel - YWEE730H0DS

OVERVIEW | FEATURES | SPECIFICATIONS | RATINGS & REVIEWS | MANUALS | RELATED MODELS & ACCESSORIES

### Whirlpool 6.2 cu. ft. Front-Control Electric Stove with TimeSavor™ Convection

Leave unnecessary meal prep behind with the 6.2 cu. ft. front-control electric stove that fits your kitchen and delivers delicious results. TimeSavor™ convection cooking helps you cook faster roasts and bake bread with just the right texture in less time than non-convection ovens. You'll be able to skip the preheat and cook frozen favorites faster in this self-cleaning stove with Frozen Bake™ technology. And thanks to the FIT system, it's easy to upgrade to a full-depth range made to fit in your existing kitchen cutout. When it's time for cleanup, AquaLift™ self-cleaning technology helps you wipe away messes without harsh chemicals or odours.

why you'll love it...

#### 6.2 cu. ft. Capacity

The 6.2 cu. ft. oven has room to bake and roast holiday dishes, so there's always enough space to handle even your largest meals.

#### Frozen Bake™ Technology

Skip preheating for favorites like pizza, lasagna, chicken nuggets, fries or pies so you can cook frozen foods faster.

#### Full-Depth Slide-In Range with the FIT System

Upgrade to a full-depth slide-in range that fits both your life and your range cutout thanks to the FIT system.

UK - 75 WALLACETON  
LOT 189C-20  
20-1456 ELEV. A  
THE HAMPTON

30 of 40

YWE E730H0D S.

- Cabinet opening dimensions that are shown must be used. Given dimensions are minimum clearances.
- The anti-tip bracket must be installed. To install the anti-tip bracket shipped with the range, see "Install Anti-Tip Bracket" section.
- Grounded electrical supply is required. See the appropriate "Electrical Requirements" section.
- Contact a qualified floor covering installer to check that the floor covering can withstand at least 200°F (93°C).
- Use an insulated pad or ¼" (0.64 cm) plywood under range if installing range over carpeting.

**IMPORTANT:** To avoid damage to your cabinets, check with your builder or cabinet supplier to make sure that the materials used will not discolor, delaminate or sustain other damage. This oven has been designed in accordance with the requirements of UL and CSA International and complies with the maximum allowable wood cabinet temperatures of 194°F (90°C).

#### Mobile Home - Additional Installation Requirements

The installation of this range must conform to the Manufactured Home Construction and Safety Standard, Title 24 CFR, Part 3280 (formerly the Federal Standard for Mobile Home Construction and Safety, Title 24, HUD Part 280). When such standard is not applicable, use the Standard for Manufactured Home Installations, ANSI A225.1/NFPA 501A or with local codes.

In Canada, the installation of this range must conform with the current standards CAN/CSA-A240-latest edition, or with local codes.

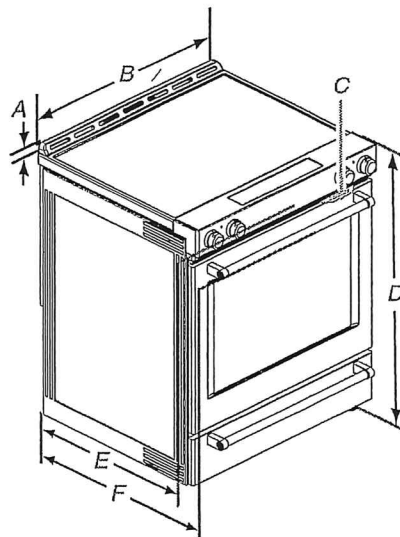
#### Mobile Home Installations Require:

- When this range is installed in a mobile home, it must be secured to the floor during transit. Any method of securing the range is adequate as long as it conforms to the standards listed above.
- Four-wire power supply cord or cable must be used in a mobile home installation. The appliance wiring will need to be revised. See "Electrical Connection - U.S.A. Only" section.

#### Product Dimensions

This manual covers several models. Your model may appear different from the models depicted. Dimensions given are maximum dimensions across all models.

#### Model KSEB900



- A. 1 3/16" (3.0 cm) height from cooktop to top of vent
- B. 29 7/8" (75.9 cm)
- C. Model/serial/rating plate (located behind the oven door on the top right-hand side of the oven frame)
- D. 36" (91.4 cm) height to top of cooktop edge with leveling legs screwed all the way in\*
- E. 28 3/16" (71.9 cm) max. depth from front of console to back of range
- F. 28 7/8" (73.3 cm) max. depth from handle to back of range

**IMPORTANT:** Range must be level after installation. Follow the instructions in the "Level Range" section. Using the cooktop as a reference for leveling the range is not recommended.

\*Range can be raised approximately 1" (2.5 cm) by adjusting the leveling legs.

DEWS 7/02/17

**Cabinet Dimensions**

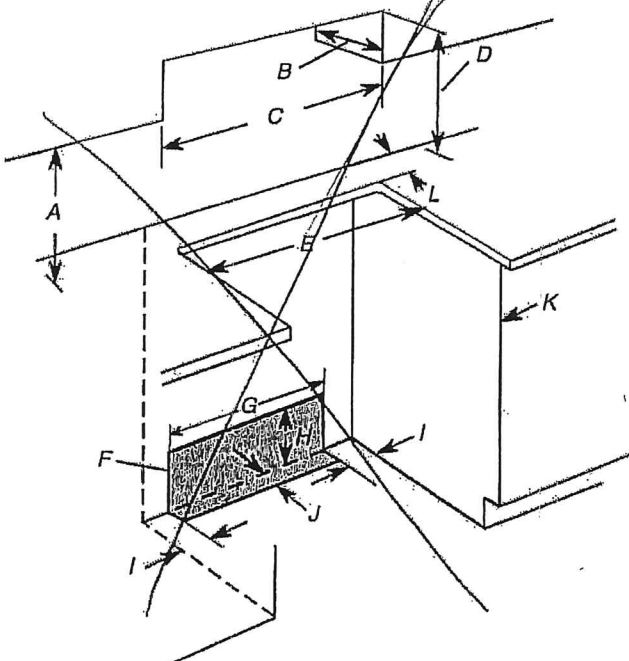
Cabinet opening dimensions shown are for 25" (64.0 cm) countertop depth, 24" (61.0 cm) base cabinet depth and 36" (91.4 cm) countertop height.

**IMPORTANT:** If installing a range hood or microwave hood combination above the range, follow the range hood or microwave hood combination installation instructions for dimensional clearances above the cooktop surface.

Range may be installed next to combustible walls with zero clearance.

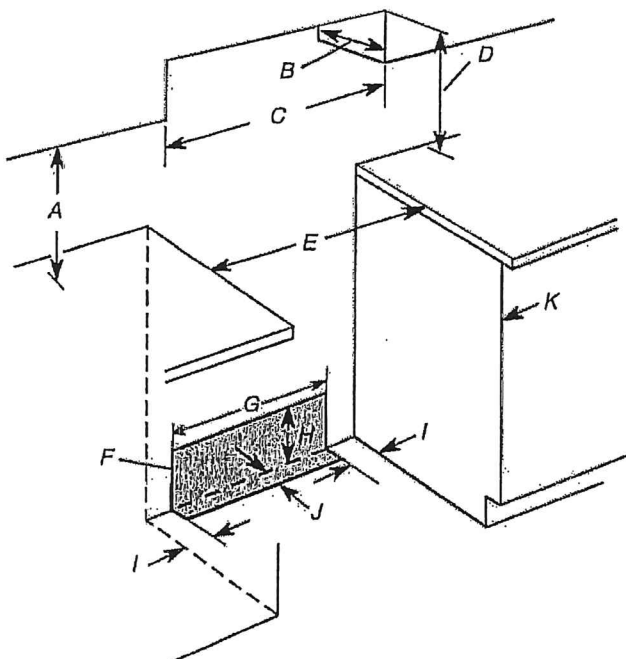
**NOTE:** When installed in a slide-in cutout, the front of oven door may protrude beyond the base cabinet.

**Slide-In Cutout**



- A. 18" (45.7 cm) upper side cabinet to countertop
- B. 13" (33 cm) max. upper cabinet depth
- C. 30" (76.2 cm) min. opening width
- D. For minimum clearance to top of cooktop, see NOTE\*.
- E. 30" (76.2 cm) min. opening width
- F. The shaded area is recommended for installation of grounded outlet.
- G. 13 1/8" (33.3 cm)
- H. 7 1/8" (19.5 cm)
- I. 4 1/8" (12.2 cm)
- J. 3 1/8" (9.4 cm) plus measurement of L
- K. Cabinet door or hinges should not extend into the cutout.
- L. Remaining counter depth should not exceed 2 1/4" (5.7 cm).

**Freestanding Cutout**



- A. 18" (45.7 cm) upper side cabinet to countertop
- B. 13" (33 cm) max. upper cabinet depth
- C. 30" (76.2 cm) min. opening width
- D. For minimum clearance to top of cooktop, see NOTE\*.
- E. 30" (76.2 cm) min. opening width
- F. The shaded area is recommended for installation of grounded outlet.
- G. 13 1/8" (33.3 cm)
- H. 7 1/8" (19.5 cm)
- I. 4 1/8" (12.2 cm)
- J. 3 1/8" (9.4 cm)
- K. Cabinet door or hinges should not extend into the cutout.

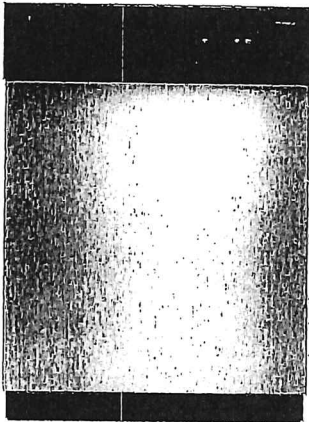
**\*NOTE:** 24" (61.0 cm) minimum when bottom of wood or metal cabinet is shielded by not less than 1/4" (0.64 cm) flame retardant millboard covered with not less than No. 28 MSG sheet steel, 0.015" (0.4 mm) stainless steel, 0.024" (0.6 mm) aluminum or 0.020" (0.5 mm) copper.

30" (76.2 cm) minimum clearance between the top of the cooking platform and the bottom of an uncovered wood or metal cabinet.

UK - 75 WALLACETON  
 LOT 189C-20  
 20-1456 ELEV. A  
 THE HAMPTON


32 of 40

Whirlpool® Dishwasher with ENERGY STAR® qualification




**WDF310PAAS**  
**Black-on-Stainless**

**OTHER AVAILABLE COLORS**

 **Black**  
 Model: WDF310PAAB

 **Biscuit-on-Biscuit**  
 Model: WDF310PAAT

 **White**  
 Model: WDF310PAAW

 **Universal Silver**  
 Model: WDF310PAAD



DIMENSIONS		KEY FEATURES
Maximum Height	34 1/2 Inches	ENERGY STAR® Qualified No One Has Fewer Repairs 17 Years In A Row Resource - Efficient Wash System CEE Tier 1 qualified Tall Tub Design White Plastic Interior Quiet Partner(TM) I Sound Package Auto Soil Sensor Electronic Controls 3 Automatic Cycles 1-Hour Wash Cycle Heavy Wash Cycle Normal Cycle 4 Options High Temperature Wash System Heated Dry Option 4 Hour Delay Wash Option 4-Tier SheerClean Direct Feed Wash System Control Lock Vinyl Racks In-Rack Silverware Basket
Minimum Height	33 1/2 Inches	
Height	34 1/2 Inches	
Depth	24 1/2 Inches	
Width	23 7/8 Inches	
Dimensions shown are for planning purposes only. For complete information, see Installation Instructions packaged with product.		
<b>ELECTRICAL</b>		
15 Amps Amps. 60 Hz. 120 V. 15,		
Before purchasing this appliance, read important information about its estimated annual energy consumption or energy efficiency rating that is available from your dealer.		

UK - 75 WALLACETON  
 LOT 189C-20  
 20-1456 ELEV. A  
 THE HAMPTON

33 of 40

# Whirlpool® Undercounter Dishwasher

## PRODUCT MODEL NUMBERS

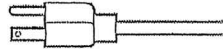
WDF110PAB	WDE310PLA	WDF530PSY
WDF111PAB	WDF320PAD	WDF540PAD
WDF120PAF	WDF510PAY	WDF730PAY
WDF121PAF	WDF520PAD	WDT710PAY
WDF310PAA	WDF530PAY	WDT720PAD
WDF310PCA	WDF530PLY	WDT770PAY

**Electrical Requirements:** 120-volt, 60-Hz, AC only, 15- or 20-amp. fused electrical supply. Copper wire only. A time delay fuse or circuit breaker and separate circuit is recommended.

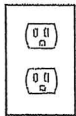
**If direct wiring dishwasher:** Use flexible, armored, or nonmetallic, sheathed copper wire with grounding wire that meets the wiring requirements for your home and local codes and ordinances. Use a UL listed or CSA approved conduit connector.



**If connecting dishwasher with a power supply cord:** Use Power Supply Cord Kit (Part No. 4317824) marked for use with dishwashers. Follow the kit instructions for installing the power supply cord.



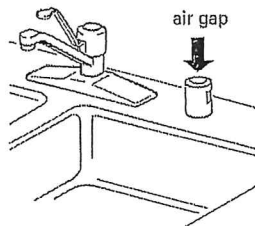
Power supply cord must plug into a grounded 3 prong, outlet, located in the cabinet next to the dishwasher opening. Outlet must meet all local codes and ordinances.



**Water Supply Requirements:** A hot water line with 20 to 120 psi (138 to 862 kPa) water pressure. Water temperature must be 120°F (49°C) water at dishwasher. Use 3/8" O.D. copper tubing with compression fitting or flexible braided water supply line (1/2" minimum plastic tubing is not recommended). Use a 90° elbow with 3/4"N.P.T. external pipe threads on one end. Do not solder within 6" (15.2 cm) from water inlet valve.

**Drain Requirements:** A new drain hose is supplied with your dishwasher. If this is not long enough, use a new drain hose with a maximum length of 12' (3.7 m) (Part No. 3385556) that meets all current AHAM/IAPMO test standards, is resistant to heat and detergent, and fits the 1" (2.5 cm) drain connector of the dishwasher.

Make sure to connect the drain hose to waste tee or disposer inlet above drain trap in house plumbing and 20" (50.8 cm) minimum above the floor. It is recommended



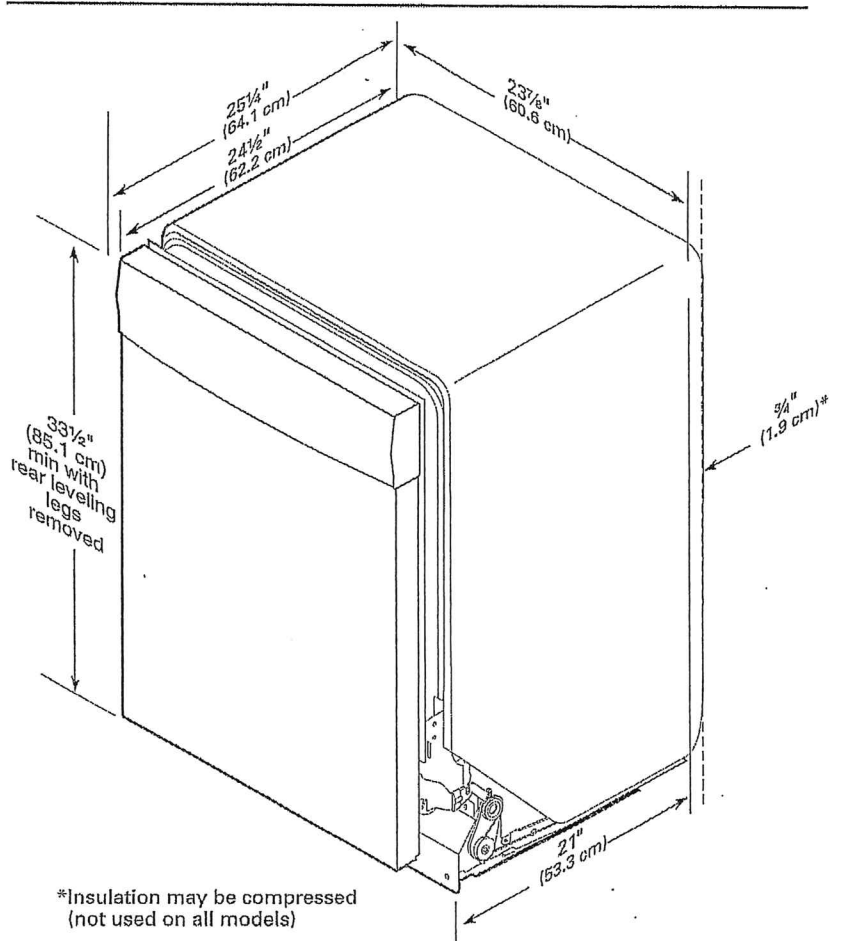
that the drain hose either be looped up and securely fastened to the underside of the counter or be connected to an air gap.

Make sure to use an air gap if the drain hose is connected to house plumbing lower than 20" (50.8 cm) above subfloor or floor.

Use 1/2" (1.3 cm) minimum I.D. drain line fittings.

If required, the air gap should be installed in accordance with the air gap installation instructions. When connecting the air gap, a rubber hose (not provided) will be needed to connect to the waste tee or disposer inlet.

## PRODUCT DIMENSIONS





UK - 75 WALLACETON  
LOT 189C-20  
20-1456 ELEV. A  
THE HAMPTON

34 of 40

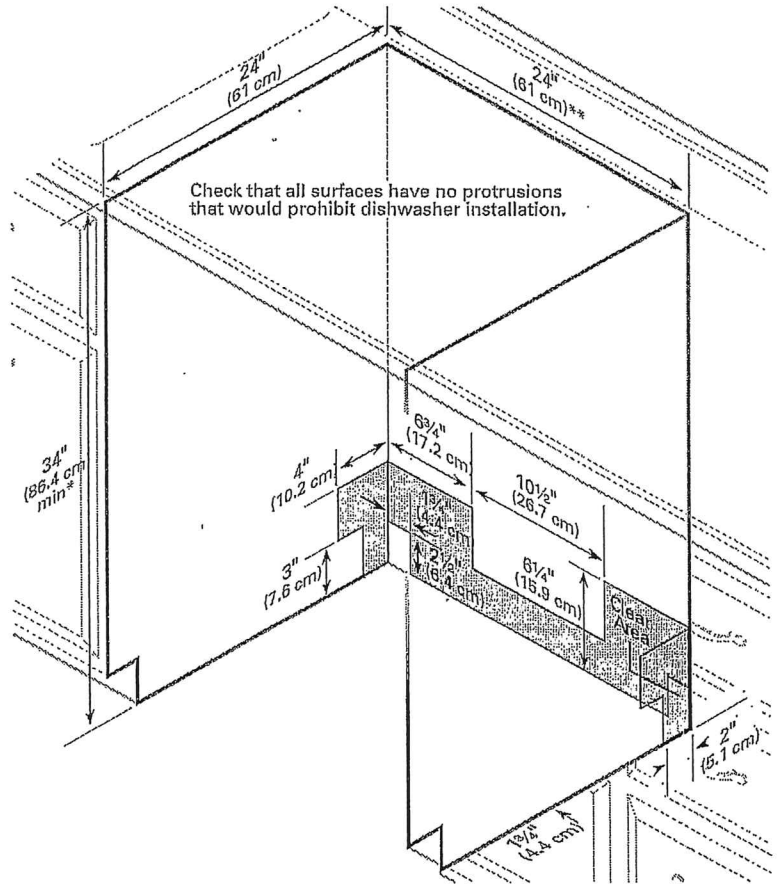
CABINET CUTOUT DIMENSIONS

WDF320P00

NOTE: Shaded areas of cabinet walls show where utility connections may be installed.

\*Measure from the lowest point on the underside of the countertop. May be reduced to 33½" (85.1 cm) by removing the rear leveling legs from dishwasher.

\*\*Minimum, measured from narrowest point of opening.

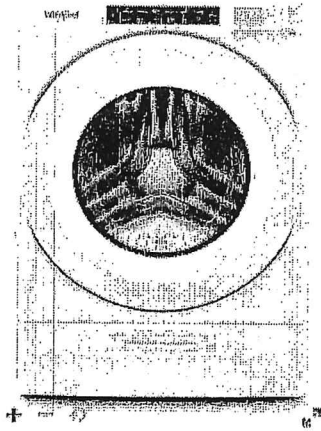


UK - 75 WALLACETON  
 LOT 189C-20  
 20-1456 ELEV. A  
 THE HAMPTON

35 of 40

WHIRLPOOL WASHER Model #: WFW5620HW

Whirlpool Brand Canada English | Washer and Dryers | Washers | Front Load Washers | WFW5620HW



5.2 cu. ft. I.E.C. Closet-Depth  
 Front Load Washer with  
 Load & Go™ Dispenser



**Whirlpool** 5.2 cu. ft. I.E.C. Closet-Depth Front Load Washer with Load & Go™  
 Dispenser  
 Model #: WFW5620HW

**Dimensions**

Depth	80.17 cm, 31-9/16 in
Depth With Door Open 90 Degree	143.51 cm, 56-1/2 in
Minimum Height	98.11 cm, 38-5/8 in
Width	68.58 cm, 27.0 in

**Appearance**

LCD Touch Screen	No
Window	Yes

**Details**

Drum Material	Stainless Steel
---------------	-----------------

**Cycles and Options**

Number of Wash Cycles	37
-----------------------	----

**Electrical**

Hz	60
Power Cord Included	Yes

**UK - 75 WALLACETON**  
**LOT 189C-20**  
**20-1456 ELEV. A**  
**THE HAMPTON**

36 of 40

WHIRLPOOL WASHER Model #: WFW5620HW

## LOCATION REQUIREMENTS

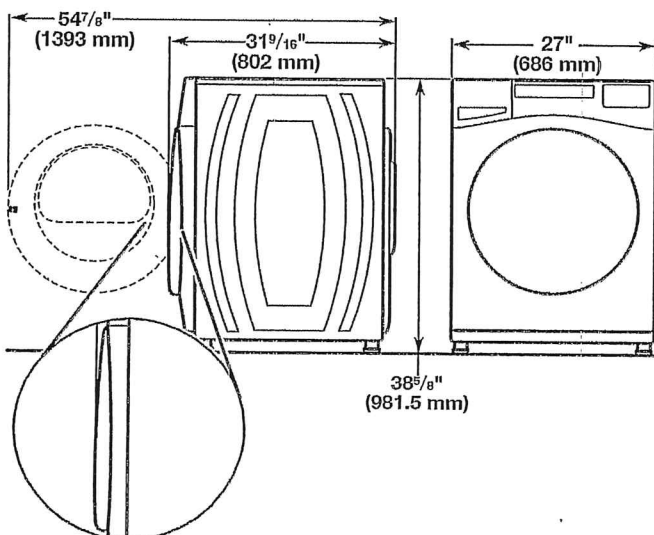
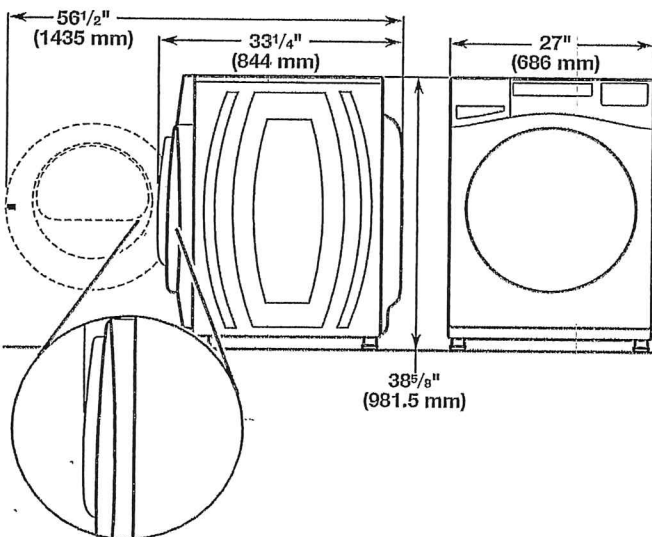
Proper installation is your responsibility.

### You will need:

- A water heater set to 120°F (49°C).
- A grounded electrical outlet located within 6 ft (1.8 m) of power cord on back of washer.
- Hot and cold water faucets located within 4 ft (1.2 m) of hot and cold water fill valves on washer, and water pressure of 20–100 psi (137.9–689.6 kPa).
- A level floor with maximum slope of 1" (25 mm) under entire washer. Installing on carpet or surfaces with foam backing is not recommended.
- Floor must support washer's total weight (with water and load) of 315 lbs (143 kg).

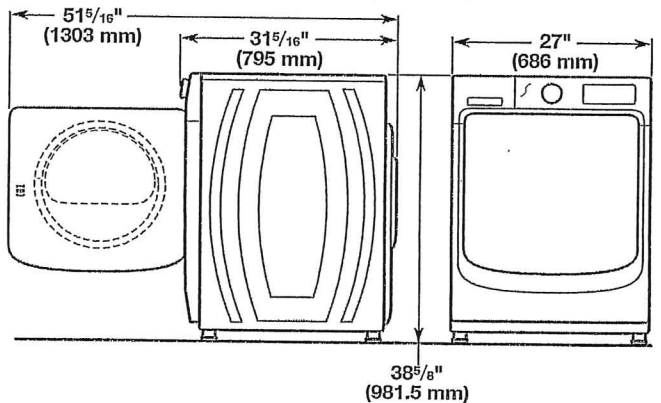
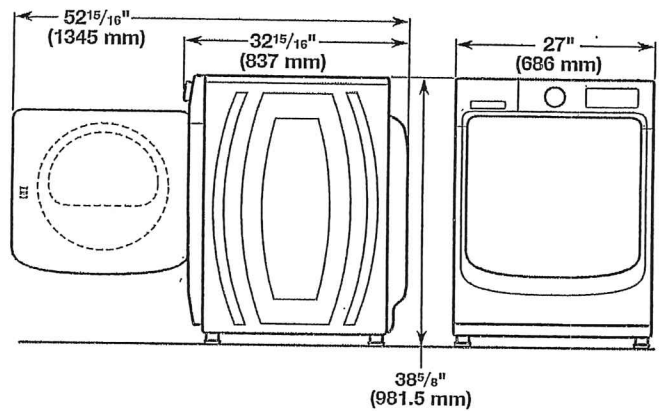
**IMPORTANT:** Do not install, store, or operate washer where it will be exposed to weather or in temperatures below 32°F (0°C). Water remaining in washer after use may cause damage in low temperatures. See "Washer Care" in your Use and Care Guide for winterizing information.

### Whirlpool Models\*



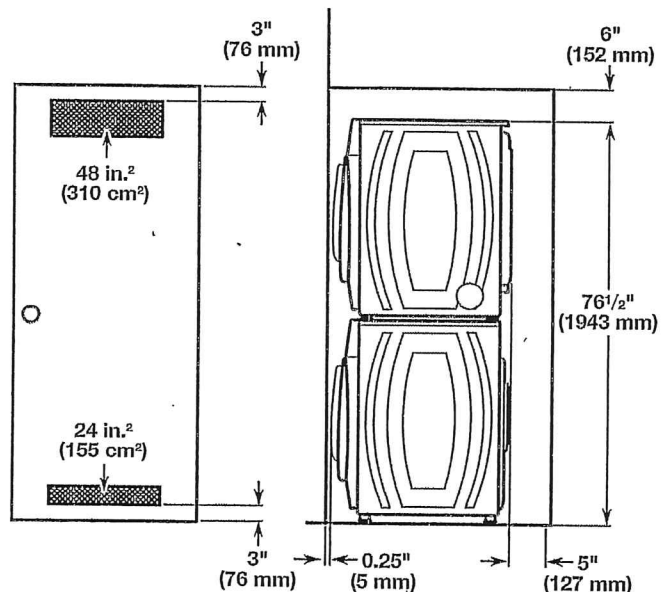
\*For additional details (or information) specific to your model, refer to the 'Dimensions' listed for your model at [www.whirlpool.com](http://www.whirlpool.com).

### Maytag Models



All dimensions show minimum spacing allowed. For each arrangement, consider allowing more space for ease of installation and servicing, and spacing for companion appliances and clearances for walls, doors, and floor moldings. Space must be large enough to allow door to fully open. Add spacing of 1" (25 mm) on all sides of washer to reduce noise transfer. If a closet door or louvered door is installed, top and bottom air openings in door are required.

### Recessed area or closet installation (stacked washer and dryer):



UK - 75 WALLACETON

LOT 189C-20

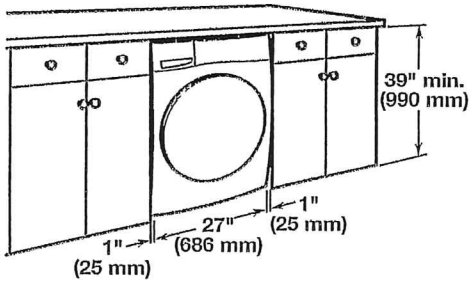
20-1456 ELEV. A

THE HAMPTON

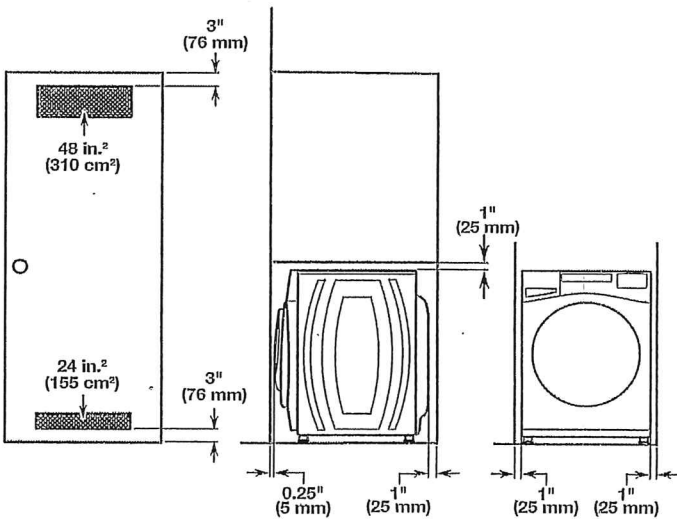
37 of 40

WHIRLPOOL WASHER Model #: WFW5620HW

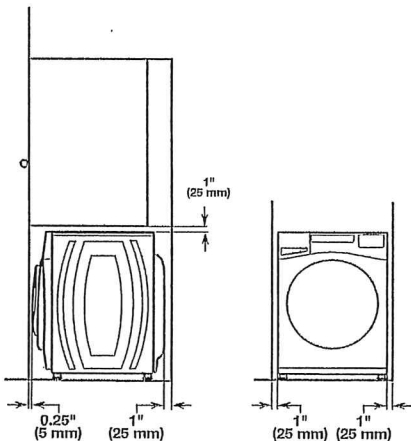
**Custom under-counter installation:**



**Recessed area or closet installation:**



**Custom cabinet installation:**

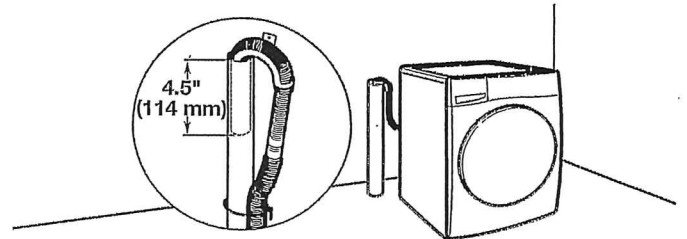


**DRAIN SYSTEM**

The drain system can be installed using a floor drain, wall standpipe, floor standpipe, or laundry tub. Select the method you need.

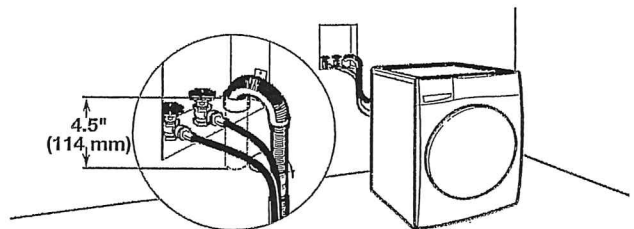
**IMPORTANT:** To avoid siphoning, only 4.5" (114 mm) of drain hose should be inside standpipe. Always secure drain hose with cable tie.

**Floor standpipe drain system**



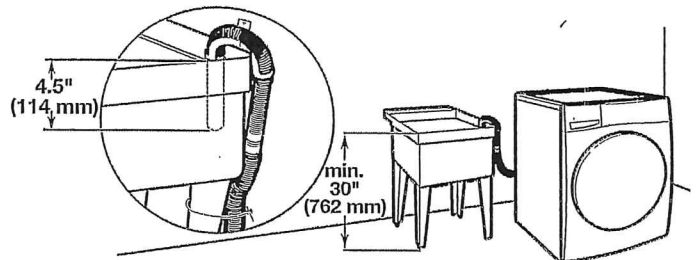
Minimum diameter for a standpipe drain: 2" (51 mm). Minimum carry-away capacity: 17 gal. (64 L) per minute. A 1/4" (6 mm) diameter to 1" (25 mm) diameter Standpipe Adapter Kit is available (Part Number 3363920). Top of standpipe must be at least 30" (762 mm) high; install no higher than 96" (2.44 m) from bottom of washer. If you have an overhead sewer and need to pump higher than 96" (2.44 m), a sump pump and associated hardware are needed. See "Alternate parts."

**Wall standpipe drain system**



See requirements for floor standpipe drain system.

**Laundry tub drain system**



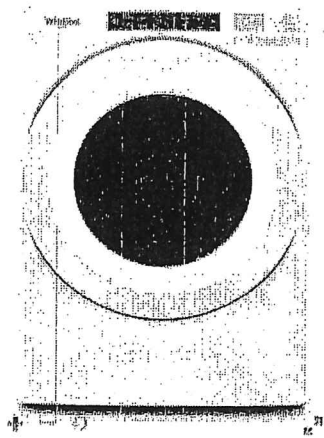
Minimum capacity: 20 gal. (76 L). Top of laundry tub must be at least 30" (762 mm) above floor; install no higher than 96" (2.44 m) from bottom of washer.

UK - 75 WALLACETON  
 LOT 189C-20  
 20-1456 ELEV. A  
 THE HAMPTON

38 of 40

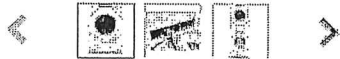
WHIRLPOOL DRYER Model #: YWED5620HW

Whirlpool Brand Canada English | Washer and Dryers | Dryers | Electric Dryers | YWED5620HW



Define Your Style

7.4 cu. ft. Front Load Electric Dryer with Intuitive Touch Controls



Whirlpool 7.4 cu. ft. Front Load Electric Dryer with Intuitive Touch Controls

Model #: YWED5620HW

Dimensions

Depth	78.74 cm, 31.0 in
Depth With Door Open 90 Degree	138.43 cm, 54-1/2 in
Height	98.42 cm, 38-3/4 in
Width	68.58 cm, 27.0 in

Configuration and Overview

Fuel Type	Electric
-----------	----------

Cycles and Options

Cycle Time Remaining	Yes
Lint Filter Indicator	No
Number of Dryer Cycles	36
Number of Dryness Levels	3

Ventilation System

Long Vent	No
Maximum Vent Length	64
Venting Direction	Left, Right, Bottom, Rear

Electrical

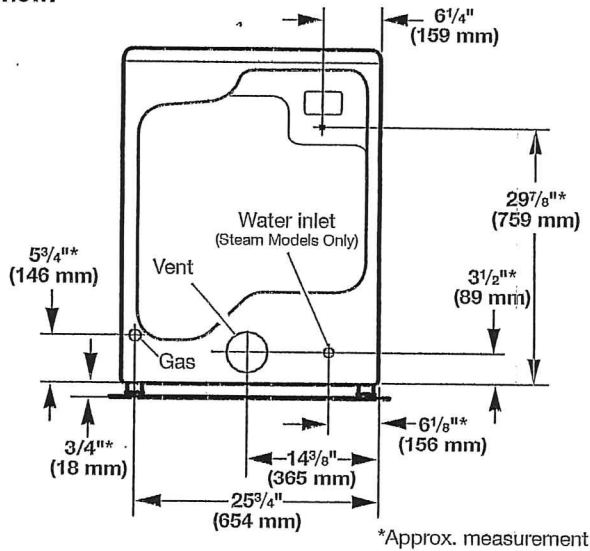
Hz	60
Power Cord Included	Yes

UK - 75 WALLACETON  
 LOT 189C-20  
 20-1456 ELEV. A  
 THE HAMPTON

39 of 40

WHIRLPOOL DRYER Model #: YWED5620HW

Back view:



**NOTE:** Most installations require a minimum of 5" (127 mm) clearance behind dryer for exhaust vent with elbow. See "Venting Requirements."

**Installation Clearances**

For each arrangement, consider allowing more space for ease of installation and servicing, spacing for companion appliances, and clearances for walls, doors, and floor moldings. Space must be large enough to allow door to fully open. Add spacing on all sides of dryer to reduce noise transfer. If a closet door or louvered door is installed, top and bottom air openings in door are required.

Check code requirements. Some codes limit, or do not permit, installation of the dryer in garages, closets, mobile homes, or sleeping quarters. Contact your local building inspector.

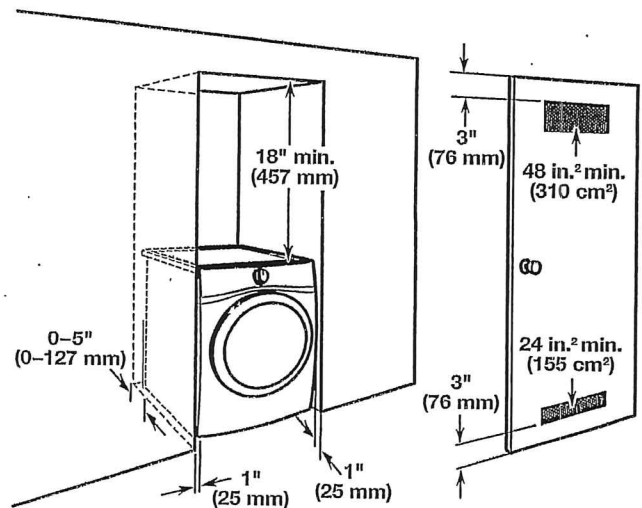
**NOTE:** No other fuel-burning appliance can be installed in the same closet as a dryer.

**Installation spacing for recessed area or closet installation**

All dimensions show recommended and minimum spacing allowed.

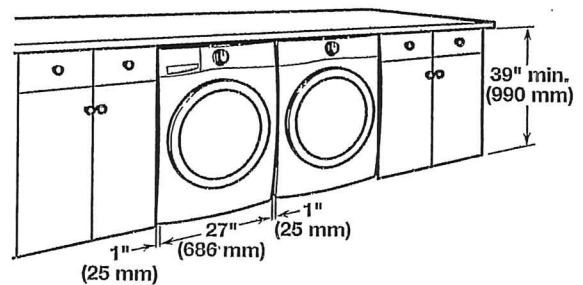
- Additional spacing should be considered for ease of installation and servicing.
- Additional clearances might be required for wall, door, floor moldings, dryer venting, and gas line.
- Additional spacing should be considered on all sides of the dryer to reduce noise transfer.
- For closet installation with a door, minimum ventilation openings in the top and bottom of the door are required. Louvered doors with equivalent ventilation openings are acceptable.
- Companion appliance spacing should also be considered.

Recommended installation clearances (dryer only):



0" (0 mm) rear spacing is allowed for straight back venting only. For steam models only, inlet hose must not be kinked.

**Custom under-counter installation:**



**Mobile home - Additional installation requirements:**

This dryer is suitable for mobile home installations. The installation must conform to the Manufactured Home Construction and Safety Standard, Title 24 CFR, Part 3280 (formerly the Federal Standard for Mobile home construction and Safety, Title 24, HUD Part 280) or Standard CAN/CSA-Z240 MH.

**Mobile home installations require:**

- Metal exhaust system hardware, available for purchase from your dealer. For further information, see "Assistance or Service" in your Use and Care Guide.
- Special provisions must be made in mobile homes to introduce outside air into dryer. Openings (such as a nearby window) should be at least twice as large as dryer exhaust opening.

**For mobile home installation of gas dryers:**

- Mobile Home Installation Hold-down Kit Part Number 346764 is available to order. For further information, see "Assistance or Service" in your Use and Care Guide.

**UK - 75 WALLACETON**  
**LOT 189C-20**  
**20-1456 ELEV. A**  
**THE HAMPTON**

40 of 40

WHIRLPOOL DRYER Model #: YWED5620HW

Additional parts may be required, depending on your installation. Check local codes. Check existing electrical supply and venting. Read "Electrical Requirements" and "Venting Requirements" before purchasing parts.

**If using a power supply cord:**

Use a UL Listed power supply cord kit marked for use with clothes dryers. The kit should contain:

- A UL Listed 30 amp power supply cord, rated 120/240 volt minimum. The cord should be type SRD or SRDT and be at least 4 ft. (1.22 m) long. The wires that connect to the dryer must end in ring terminals or spade terminals with upturned ends.
- A UL Listed strain relief.

**Optional Equipment (not supplied with dryer):**

Refer to your Use and Care Guide for information about accessories available for your dryer.

**LOCATION REQUIREMENTS**

Check code requirements. Some codes limit, or do not permit, installing dryer in garages, closets, mobile homes, or sleeping quarters. Contact your local building inspector.

**⚠ WARNING**

**Explosion Hazard**

Keep flammable materials and vapors, such as gasoline, away from dryer.

Place dryer at least 18 inches (460 mm) above the floor for a garage installation.

Failure to do so can result in death, explosion, or fire.

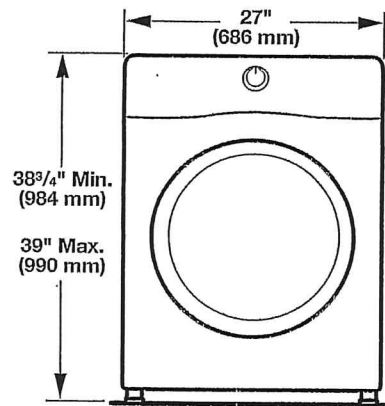
**You will need:**

- A location allowing for proper exhaust installation. See "Venting Requirements."
- A separate 15 or 20 amp circuit for a gas dryer or 30 amp circuit for an electric dryer.
- If using power supply cord, a grounded electrical outlet located within 2 ft. (610 mm) of either side of dryer. See "Electrical Requirements."
- Floor must support dryer weight of 200 lbs. (90.7 kg). Also consider weight of companion appliance.
- Cold water faucets located within 4 ft. (1.2 m) of the water fill valves, and water pressure of 20–120 psi (138–827 kPa). You may use your washer's water supply by purchasing the necessary parts noted in "Parts needed."
- Level floor with maximum slope of 1" (25 mm) under entire dryer. If slope is greater than 1" (25 mm), install Extended Dryer Feet Kit, Part Number 279810. If not level, clothes may not tumble properly and automatic sensor cycles may not operate correctly.
- For garage installation, place dryer at least 18" (460 mm) above floor. If using a pedestal, you will need 18" (460 mm) to bottom of dryer.
- The dryer must not be installed or stored in an area where it will be exposed to water and/or weather.

**IMPORTANT:** Do not operate, install, or store dryer where it will be exposed to water, weather, or at temperatures below 40°F (4°C). Lower temperatures may cause dryer not to shut off at end of automatic sensor cycles, resulting in longer drying times.

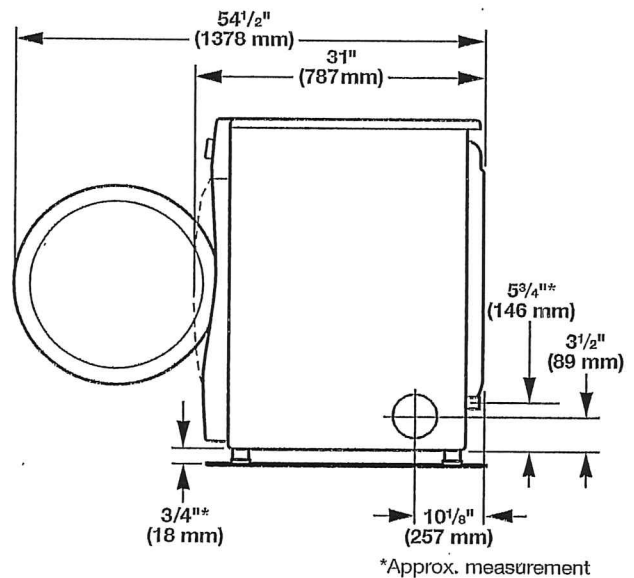
**DRYER DIMENSIONS**

Front view:

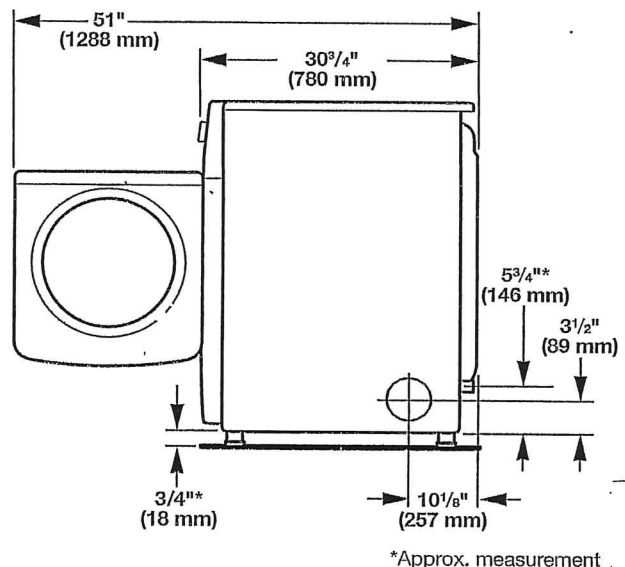


Side view:

Whirlpool Models



Maytag Models



\*Approx. measurement

\*Approx. measurement