



Interior Finishing Selection Sheet

3 of 16

05-Jul-21

LOT 051-3

20-2329 ELEV B THE ENGLEWOOD

PURCHASERS: KAREN L. FLETCHER CONTACT NO: 647-204-9834
 ALAN RICHARD MORRIS 416-725-7869
 VENDOR: HEATHWOOD HOMES (WHITBY) LIMITED - PHASE 4

UPG

Appliances

6-9117 Kitchen HoodFan

CYCLONE 30" STAINLESS CHIMNEY/CANOPY HOODFAN STAINLESS STEEL SCB51930 UPG 30" PAGES 31 AND 32

Cabinetry

1-9193 Kitchen Cabinet Colour/Style

KINGSTON MOONLIGHT Classic Plus UPG MDF PAINTED FOR KITCHEN ISLAND ONLY

1-9191 Kitchen Cabinet Colour/Style

KINGSTON ORCHID Classic Plus UPG MDF PAINTED

3-7676 Kitchen Cabinet Hardware

HARDWARE 12843 STD

211-6316 Laundry Room Opt. Upper Cabinet

SIMCOE ONTARIO WHITE Viking III 3DL

212-2076 Laundry Room Opt. Upper Cabinet Hardware

HARDWARE 181 STD

25-9156 Main Bathroom Cabinet Colour/Style

SIMCOE RAIN CLOUD Viking III STD 3DL

29-2076 Main Bathroom Cabinet Hardware

HARDWARE 181 STD

28-8796 Main Bathroom Countertop

Countertop PALOMA POLAR ETCHINGS FINISH 6698-46 Formica

20-9166 Master Ensuite Cabinet Colour/Style

CHARLESTON ORCHID Viking III STD 3DL

22-9140 Master Ensuite Cabinet Hardware

HARDWARE 129 MB BLACK UPG I

21-8806 Master Ensuite Countertop

Countertop LECHE VESTA 4987K-07 Wilsonart

414-6261 Powder Room Lower Level Cabinet Colour/Style

MANCHESTER OYSTER CL Viking III MAPLE

416-2076 Powder Room Lower Level Cabinet Hardware

HARDWARE 181 STD

415-8796 Powder Room Lower Level Countertop

Countertop PALOMA POLAR ETCHINGS FINISH 6698-46 Formica

Carpet

37-9296 Bedroom 2 Flooring

SHAW - Alluring Disposition Alabaster 172 UPG 2

38-9296 Bedroom 3 Flooring

SHAW - Alluring Disposition Alabaster 172 UPG 2

14-9248 Family Room Flooring

Dynasty Tex 40 oz Poly BLACK ICE DY 89418 STD


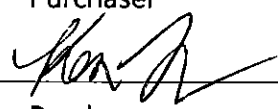
36-9296 Master Bedroom Flooring

SHAW - Alluring Disposition Alabaster 172 UPG 2

366-9248 Optional Lower Level Hall Flooring

Dynasty Tex 40 oz Poly BLACK ICE DY 89418 STD

- The Purchaser acknowledges these selections are subject to the terms and conditions of the applicable Agreement of Purchase and Sale.
- The Purchaser acknowledges that the Vendor accepts no responsibility in the event the Vendor is unable to supply a selection. The Purchaser agrees to reselect from the currently available selections immediately upon request.
- The Vendor reserves the right to substitute above materials and equipment with that of equal or better quality.
- Purchaser acknowledges that items may not be exactly as shown. Variations from the Vendor's samples may occur in finished materials due to normal production processes. Vendor is not responsible for shade difference which may occur from different dye lots or wood grains. Variations from the Vendor's samples will occur with natural materials such as wood, marble, granite, hardwood and brick.
- The Vendor reserves the right to select Grout & Thresholds that best suits the Tile selected.
- Selections will not be processed unless signed by Heathwood Homes Head Office.
- The colour selections made on the Colour Chart are final and cannot be changed once submitted.
- The Purchaser has checked and acknowledges the accuracy of this Colour Chart.

July 05 21 
 Date Purchaser
 July 5/21 
 Date Purchaser

July 5, 2021 
 Date APPROVED - Décor Consultant
 -07- 05 2021 
 Date Approved HEATHWOOD HOMES (WHITBY)
 LIMITED - PHASE 4



05-Jul-21

Interior Finishing Selection Sheet

LOT 051-3

20-2329 ELEV B THE ENGLEWOOD

PURCHASERS: KAREN L. FLETCHER CONTACT NO: 647-204-9834
 ALAN RICHARD MORRIS 416-725-7869
 VENDOR: HEATHWOOD HOMES (WHITBY) LIMITED - PHASE 4

Carpet

52-1079 Throughout Underpad

Ceramics

16-5480 Foyer Flooring

17-2225 Foyer Grout

4-9078 Kitchen Backsplash

5-7704 Kitchen Backsplash Grout

66-5480 Laundry Room Flooring

66-5480 Laundry Room Flooring

67-2225 Laundry Room Grout

67-2225 Laundry Room Grout

30-8262 Main Bathroom Flooring

31-2225 Main Bathroom Grout

112-5411 Main Bathroom Tub Wall Tile

113-2226 Main Bathroom Tub Wall Tile Grout

23-6624 Master Ensuite Floor Tile

24-7704 Master Ensuite Floor Tile Grout

73-8108 Master Ensuite Shower Floor Tile

74-7704 Master Ensuite Shower Floor Tile Grout

147-8925 Master Ensuite Shower Jamb(s) and Sill(s)

104-5420 Master Ensuite Shower Wall Tile

105-2226 Master Ensuite Shower Wall Tile Grout

32-5607 Powder Room Flooring

UPG

- Underpad 500 Series STD
- Corte Milia Silver GE.CM.SIL.1313 Std 13 x 13
- Grout (27) Silver STD
- Eterna Series Imperial Grey OV.ET.IGY.1X3.MT.HER UPG 7 1" x 3" Matte
- Grout (19) Pearl Gray STD
- Corte Milia Silver GE.CM.SIL.1313 Std 13 x 13
- Corte Milia Silver GE.CM.SIL.1313 Std 13 x 13
- Grout (27) Silver STD
- Grout (27) Silver STD
- Serpentine Grey TR.ST.GRY.1313 STD 13x13
- Grout (27) Silver STD
- Splendour White QT.SP.WHT.0810 Std 8" x 10" INSTALLED VERTICALLY
- Grout (00) White STD
- Regal Matte Charcoal Black NY.RG.CCB.1212.MT UPG_3 12 X 12
- Grout (19) Pearl Gray STD
- ONTARIO HEXAGON MATTE DARK GREY OD.ON.DGR.02.HEX.MT UPG_2
- Grout (19) Pearl Gray STD
- Shower Jamb / Sill Sky Grey (Light Grey) STD
- Splendour Dark Grey QT.SP.DGR.0810 Std 8" x 10" INSTALLED VERTICALLY
- Grout (00) White STD
- Sauble Anthracite (Black) GE.SU.ATR.1313 STD 13" X 13"

1. The Purchaser acknowledges these selections are subject to the terms and conditions of the applicable Agreement of Purchase and Sale.
2. The Purchaser acknowledges that the Vendor accepts no responsibility in the event the Vendor is unable to supply a selection. The Purchaser agrees to reselect from the currently available selections immediately upon request.
3. The Vendor reserves the right to substitute above materials and equipment with that of equal or better quality.
4. Purchaser acknowledges that items may not be exactly as shown. Variations from the Vendor's samples may occur in finished materials due to normal production processes. Vendor is not responsible for shade difference which may occur from different dye lots or wood grains. Variations from the Vendor's samples will occur with natural materials such as wood, marble, granite, hardwood and brick.
5. The Vendor reserves the right to select Grout & Thresholds that best suits the Tile selected.
6. Selections will not be processed unless signed by Heathwood Homes Head Office.
7. The colour selections made on the Colour Chart are final and cannot be changed once submitted.
8. The Purchaser has checked and acknowledges the accuracy of this Colour Chart.

Date July 5/21 Signatures [Signature]
 Purchaser on file

Date July 25/21 **APPROVED**
 Date Approved -07-05 2021 Décor Consultant [Signature]

Date Purchaser Date Approved **HEATHWOOD HOMES (WHITBY) LIMITED - PHASE 4**



05-Jul-21

Interior Finishing Selection Sheet

15 of 16

LOT 051-3

20-2329 ELEV B THE ENGLEWOOD

PURCHASERS: KAREN L. FLETCHER

CONTACT NO: 647-204-9834

ALAN RICHARD MORRIS

416-725-7869

VENDOR: HEATHWOOD HOMES (WHITBY) LIMITED - PHASE 4

Ceramics

33-7704 Powder Room Grout

369-5480 Powder Room Lower Level Flooring

370-2225 Powder Room Lower Level Grout

53-2232 Throughout Thresholds

Electrical

90-5796 Throughout Switches and Plug

Fireplace

136-9114 Great Room Fireplace Mantle

135-8865 Great Room Fireplace Type

Granite

2-8897 Kitchen Countertop

Hardwood

99-7498 Dining Room Flooring

11-7498 Great Room Flooring

338-7498 Kitchen Flooring

78-7498 Stair Landing to Lower Level Flooring

77-7498 Stair Landing to Upper Level Flooring

35-7498 Upper Hall Flooring

Interior Railings

49-8148 Stairs to Lower Level Handrail/Pickets/Posts Type

UPG

Grout (19) Pearl Gray STD

Corte Milia Silver GE.CM.SIL.1313 Std 13 x 13

Grout (27) Silver STD

Metal Thresholds STD

Decora White Switches and Plugs STD

Paint Grade Mantel- Cabinet (Per Plan) WHITE NF 15 STD

Dimplex FP3033HL Electric Fireplace

Quartz-Caesarstone ORGANIC WHITE # 4600 Group 4 UPG
3/4" with Mitered Edge

Vintage Northern Solid Sawn Engineered Select V : Red Oak Pearl GRYPHON Red Oak Pearl 3/4" x 3 1/4" INCLUDES HALL FROM FOYER TO KITCHEN

Vintage Northern Solid Sawn Engineered Select V : Red Oak Pearl GRYPHON Red Oak Pearl 3/4" x 3 1/4"

Vintage Northern Solid Sawn Engineered Select V : Red Oak Pearl GRYPHON Red Oak Pearl 3/4" x 3 1/4"

Vintage Northern Solid Sawn Engineered Select V : Red Oak Pearl GRYPHON Red Oak Pearl 3/4" x 3 1/4"

Vintage Northern Solid Sawn Engineered Select V : Red Oak Pearl GRYPHON Red Oak Pearl 3/4" x 3 1/4"

Vintage Northern Solid Sawn Engineered Select V : Red Oak Pearl GRYPHON Red Oak Pearl 3/4" x 3 1/4"

Single Collar Alt. Plain w/ Shoes with 3 1/2" Square/Cap Post(s) BLACK METAL STD

1. The Purchaser acknowledges these selections are subject to the terms and conditions of the applicable Agreement of Purchase and Sale.
2. The Purchaser acknowledges that the Vendor accepts no responsibility in the event the Vendor is unable to supply a selection. The Purchaser agrees to reselect from the currently available selections immediately upon request.
3. The Vendor reserves the right to substitute above materials and equipment with that of equal or better quality.
4. Purchaser acknowledges that items may not be exactly as shown. Variations from the Vendor's samples may occur in finished materials due to normal production processes. Vendor is not responsible for shade difference which may occur from different dye lots or wood grains. Variations from the Vendor's samples will occur with natural materials such as wood, marble, granite, hardwood and brick.
5. The Vendor reserves the right to select Grout & Thresholds that best suits the Tile selected.
6. Selections will not be processed unless signed by Heathwood Homes Head Office.
7. The colour selections made on the Colour Chart are final and cannot be changed once submitted.
8. The Purchaser has checked and acknowledges the accuracy of this Colour Chart.

Date

Purchaser

July 5/21

Alan Morris

Date

Purchaser

Date -07-05-2021

Décor Consultant

Date Approved

HEATHWOOD HOMES (WHITBY) LIMITED - PHASE 4



05-Jul-21

Interior Finishing Selection Sheet

LOT 051-3

20-2329 ELEV B THE ENGLEWOOD

PURCHASERS: KAREN L. FLETCHER

CONTACT NO: 647-204-9834

ALAN RICHARD MORRIS

416-725-7869

VENDOR: HEATHWOOD HOMES (WHITBY) LIMITED - PHASE 4

UPG

Interior Railings

43-8148 Stairs to Upper Level Handrail/Pickets/Posts Type

Single Collar Alt. Plain w/ Shoes with 3 1/2" Square/Cap Post(s)
BLACK METAL STD

Interior Stairs

116-1713 Basement Stairs Type

Paint Grade Stairs STD

45-1712 Stairs to Lower Level Type

Oak Stairs UPG_1

39-1712 Stairs to Upper Level Type

Oak Stairs UPG_1

Interior Trim

91-9374 Throughout Trim Size

4-1/4" Baseboards and 2 3/4" Integrated Backband Casings
STD

Painting

46-7761 Stairs to Lower Level Colour

Stain handrail, stringers, treads, risers, nosing & posts. (Metal pickets)
STAIN TO COMPLIMENT GRYPHON HARDWOOD SHADE WILL VARY

40-7761 Stairs to Upper Level Colour

Stain handrail, stringers, treads, risers, nosing & posts. (Metal pickets)
STAIN TO COMPLIMENT GRYPHON HARDWOOD SHADE WILL VARY

240-1716 Throughout Trim - Paint Colour

Trim WHITE STD

51-1717 Throughout Walls - Paint Colour

Wall WARM GREY 22 STD

Plumbing

266-1737 Main Bathroom Plumbing Fixture (Colour)

Plumbing Fixtures WHITE STD

149-1737 Master Ensuite Plumbing Fixture (colour)

Plumbing Fixtures WHITE STD

34-1737 Powder Room Plumbing Fixture (Colour)

Plumbing Fixtures WHITE STD

371-1737 Powder Room Lower Level Plumbing Fixture (Colour)

Plumbing Fixtures WHITE STD

1. The Purchaser acknowledges these selections are subject to the terms and conditions of the applicable Agreement of Purchase and Sale.
2. The Purchaser acknowledges that the Vendor accepts no responsibility in the event the Vendor is unable to supply a selection. The Purchaser agrees to reselect from the currently available selections immediately upon request.
3. The Vendor reserves the right to substitute above materials and equipment with that of equal or better quality.
4. Purchaser acknowledges that items may not be exactly as shown. Variations from the Vendor's samples may occur in finished materials due to normal production processes. Vendor is not responsible for shade difference which may occur from different dye lots or wood grains. Variations from the Vendor's samples will occur with natural materials such as wood, marble, granite, hardwood and brick.
5. The Vendor reserves the right to select Grout & Thresholds that best suits the Tile selected.
6. Selections will not be processed unless signed by Heathwood Homes Head Office.
7. The colour selections made on the Colour Chart are final and cannot be changed once submitted.
8. The Purchaser has checked and acknowledges the accuracy of this Colour Chart.

Date

Purchaser

Date

Décor Consultant

Date

Purchaser

Date Approved

HEATHWOOD HOMES (WHITBY)
LIMITED - PHASE 4



05-Jul-21

Sales Selection Sheet
17 OF 40

LOT	051-3	20-2329 ELEV B THE ENGLEWOOD	
PURCHASERS:	KAREN L. FLETCHER ALAN RICHARD MORRIS	CONTACT NO:	647-204-9834 416-725-7869
VENDOR:	HEATHWOOD HOMES (WHITBY) LIMITED - PHASE 4		HST #

It is herein understood and agreed between the undersigned parties hereto that the following changes shall be made to the above mentioned Agreement of Purchase and Sale in accordance with the agreement and except for such changes noted below, all other terms and conditions in the Agreement of Purchase and Sale shall remain as stated herein: It is further understood that and agreed that all changes and additions shall be installed as per builder's specifications, location and available selections. The Purchaser hereby agrees to purchase the following extras:

Appliances

2171 Cyclone 30" Wall Mount Chimney Hood SS KITCHEN Qty: 1
SCB51930 PAGES 31-32

Cabinetry

1349 Optional Extras Bathroom Qty: 1
02G- Vanity hardware upgrade I display board. Price per vanity

1499 Optional Upgrade Kitchen Qty: 1
CLASSIC PLUS

1295 Optional Extras KITCHEN Qty: 1
12B- Pots and pans drawers (width min. 60cm/max. 90cm) (size subject to floor plan) Classic
SKETCH # 7 PAGE 22 FOR LOCATION

1504 Optional Upgrade Ldry Uppers Qty: 1
Optional Upgrade VIKING I/II/III

Carpet

694 Optional Extra Bedroom 2 Qty: 1
Shaw- Alluring Disposition, Perpetual Move.

695 Optional Extra Bedroom 3 Qty: 1
Shaw- Alluring Disposition, Perpetual Move.

693 Optional Extra Master Bedroom Qty: 1
Shaw- Alluring Disposition, Perpetual Move.

1. This Sales Selection Sheet when properly executed forms part of our Agreement of Purchase and Sale.
2. All extras and upgrades listed above are subject to Construction Progress and Architectural and Municipal requirements.
3. In the event the Vendor is unable to incorporate the work approved above in the construction of the house for any reason whatsoever, the Vendor will not be liable to the Purchaser in any way. The monies paid for any changes or optional extras not proceeded with shall be returned to the Purchaser, without interest. The cost of options or extras is non-refundable in all other circumstances. If for any reason whatsoever the Agreement of Purchase and Sale is not completed, the total cost of work approved above will be retained by the Vendor.
4. The Vendor reserves the right to substitute above materials and equipment with that of equal or better quality.
5. Purchaser acknowledges that items may not be exactly as shown. Variations from the Vendor's samples may occur in finished materials due to normal production processes. Vendor is not responsible for shade difference which may occur from different dye lots or wood grains. Variations from the Vendor's samples will occur with natural materials such as wood, marble, granite, hardwood and brick.
6. The Vendor reserves the right to select Grout & Thresholds that best suits the Tile selected.
7. Selections will not be processed unless signed by Heathwood Homes Head Office.
8. The selections made on this schedule are final and cannot be changed once submitted.
9. The Purchaser has checked and acknowledges the accuracy of this schedule.

July 5/21		July 5, 2021	
Date	Purchaser	APPROVED	Décor Consultant
July 05/21		-07-05-2021	
Date	Purchaser	Date Approved	HEATHWOOD HOMES (WHITBY) LIMITED - PHASE 4



05-Jul-21

Sales Selection Sheet 18 of 46

LOT	051-3	20-2329 ELEV B THE ENGLEWOOD
PURCHASERS:	KAREN L. FLETCHER ALAN RICHARD MORRIS	CONTACT NO: 647-204-9834 416-725-7869
VENDOR:	HEATHWOOD HOMES (WHITBY) LIMITED - PHASE 4	HST #

It is herein understood and agreed between the undersigned parties hereto that the following changes shall be made to the above mentioned Agreement of Purchase and Sale in accordance with the agreement and except for such changes noted below, all other terms and conditions in the Agreement of Purchase and Sale shall remain as stated herein: It is further understood that and agreed that all changes and additions shall be installed as per builder's specifications, location and available selections. The Purchaser hereby agrees to purchase the following extras:

Ceramics

1968	Optional Extras Upgrade additional backsplash behind chimney hoodfan Upgrade 7	Qty: 1
1850	Kitchen Optional Backsplash Upgrade 7 Tile	Qty: 1
1847	M. Ensuite Floor Upgrade 3 Tile	Qty: 1
1840	M. Ensuite Shower Floor Upgrade 2 Tile	Qty: 1

Granite

844	Optional Upgrade Countertop 3/4" GROUP 4 with double edge	Kitchen Qty: 1
-----	---	--------------------------

Hardwood

1103	Vintage 3-1/4" Red Oak Select-V	KITCHEN Qty: 1
------	---	--------------------------

Plumbing

162	Moen -CHATEAU 2 Handle Widespread Lavatory Chrome Faucet with Pop-Up Drain (Model#4945) in lieu of standard single lever	MASTER ENSUITE BATHROOM Qty: 2
-----	--	--

1. This Sales Selection Sheet when properly executed forms part of our Agreement of Purchase and Sale.
2. All extras and upgrades listed above are subject to Construction Progress and Architectural and Municipal requirements.
3. In the event the Vendor is unable to incorporate the work approved above in the construction of the house for any reason whatsoever, the Vendor will not be liable to the Purchaser in any way. The monies paid for any changes or optional extras not proceeded with shall be returned to the Purchaser, without interest. The cost of options or extras is non-refundable in all other circumstances. If for any reason whatsoever the Agreement of Purchase and Sale is not completed, the total cost of work approved above will be retained by the Vendor.
4. The Vendor reserves the right to substitute above materials and equipment with that of equal or better quality.
5. Purchaser acknowledges that items may not be exactly as shown. Variations from the Vendor's samples may occur in finished materials due to normal production processes. Vendor is not responsible for shade difference which may occur from different dye lots or wood grains. Variations from the Vendor's samples will occur with natural materials such as wood, marble, granite, hardwood and brick.
6. The Vendor reserves the right to select Grout & Thresholds that best suits the Tile selected.
7. Selections will not be processed unless signed by Heathwood Homes Head Office.
8. The selections made on this schedule are final and cannot be changed once submitted.
9. The Purchaser has checked and acknowledges the accuracy of this schedule.

July 05/21
 Date Purchaser
 July 5/21
 Date Purchaser

July 5, 2021
 Date **APPROVED** Décor Consultant
 -07- 05 2021

Date Approved **HEATHWOOD HOMES (WHITBY) LIMITED - PHASE 4**



05-Jul-21

Sales Selection Sheet
19 OF 46

LOT	051-3	20-2329 ELEV B THE ENGLEWOOD
PURCHASERS:	KAREN L. FLETCHER ALAN RICHARD MORRIS	CONTACT NO: 647-204-9834 416-725-7869
VENDOR:	HEATHWOOD HOMES (WHITBY) LIMITED - PHASE 4	HST #

It is herein understood and agreed between the undersigned parties hereto that the following changes shall be made to the above mentioned Agreement of Purchase and Sale in accordance with the agreement and except for such changes noted below, all other terms and conditions in the Agreement of Purchase and Sale shall remain as stated herein: It is further understood that and agreed that all changes and additions shall be installed as per builder's specifications, location and available selections. The Purchaser hereby agrees to purchase the following extras:

1. This Sales Selection Sheet when properly executed forms part of our Agreement of Purchase and Sale.
2. All extras and upgrades listed above are subject to Construction Progress and Architectural and Municipal requirements.
3. In the event the Vendor is unable to incorporate the work approved above in the construction of the house for any reason whatsoever, the Vendor will not be liable to the Purchaser in any way. The monies paid for any changes or optional extras not proceeded with shall be returned to the Purchaser, without interest. The cost of options or extras is non-refundable in all other circumstances. If for any reason whatsoever the Agreement of Purchase and Sale is not completed, the total cost of work approved above will be retained by the Vendor.
4. The Vendor reserves the right to substitute above materials and equipment with that of equal or better quality.
5. Purchaser acknowledges that items may not be exactly as shown. Variations from the Vendor's samples may occur in finished materials due to normal production processes. Vendor is not responsible for shade difference which may occur from different dye lots or wood grains. Variations from the Vendor's samples will occur with natural materials such as wood, marble, granite, hardwood and brick.
6. The Vendor reserves the right to select Grout & Thresholds that best suits the Tile selected.
7. Selections will not be processed unless signed by Heathwood Homes Head Office.
8. The selections made on this schedule are final and cannot be changed once submitted.
9. The Purchaser has checked and acknowledges the accuracy of this schedule.

July 05/21		July 5, 2021	
Date	Purchaser	Date	Décor Consultant
July 5/21		-07-05 2021	
Date	Purchaser	Date Approved	HEATHWOOD HOMES (WHITBY) LIMITED - PHASE 4

C-2 COUNTRY LANE
LOT 51-3
20-2329 ELEV. B
THE ENGLEWOOD

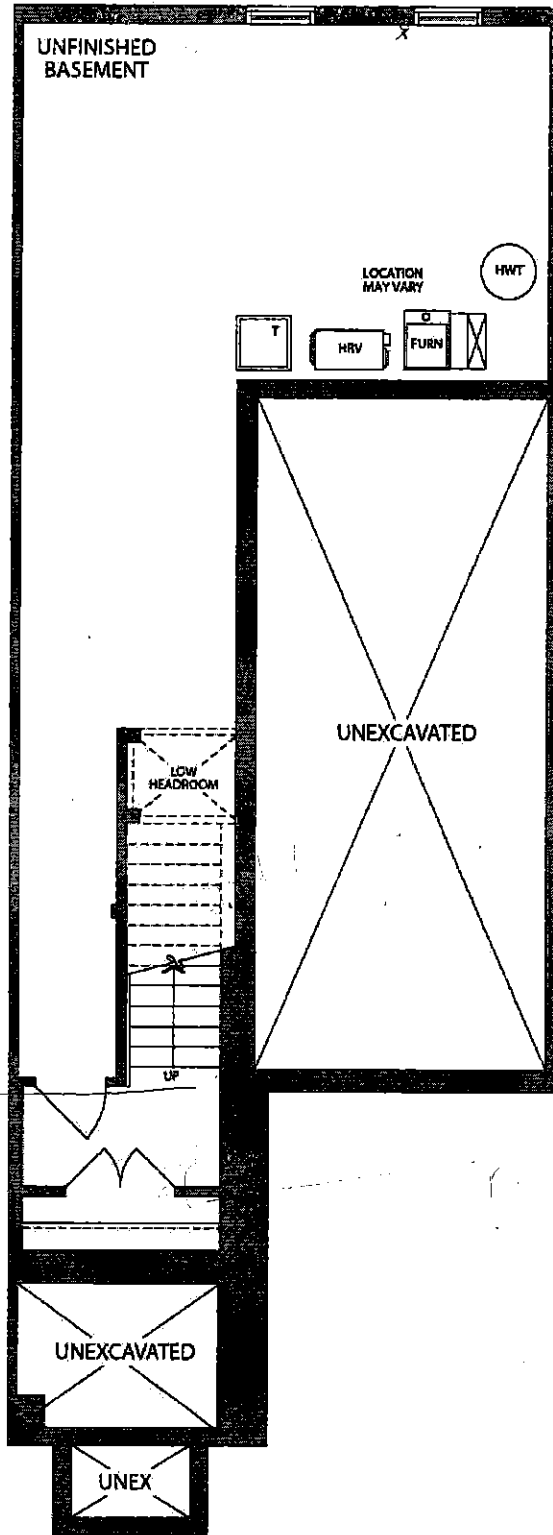
20 of 46

The Englewood

Sketch #5

20-2329 ELEV. B

ELEVATION B: 2,339 SQ FT



BASEMENT
ELEVATION A & B

C-2 COUNTRY LANE
LOT 51-3
20-2329 ELEV. B
THE ENGLEWOOD

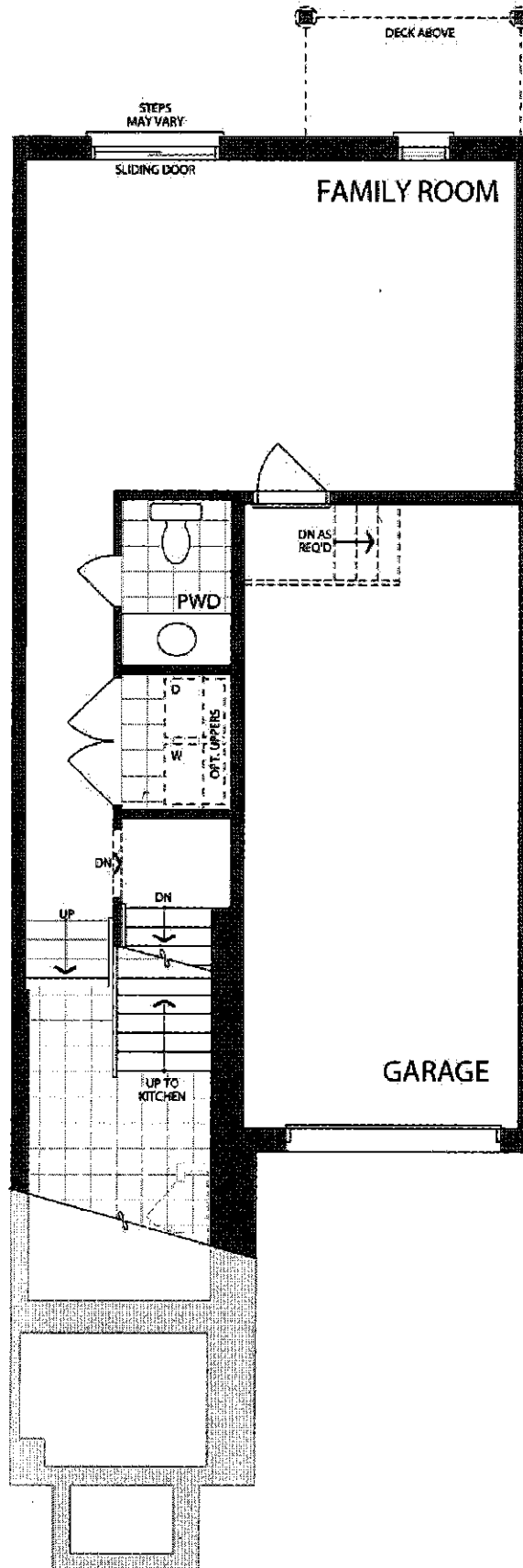
21 of 46

The Englewood

Sketch #6

20-2329 ELEV. B

ELEVATION B: 2,339 SQ FT



LOWER LEVEL
ELEVATION B

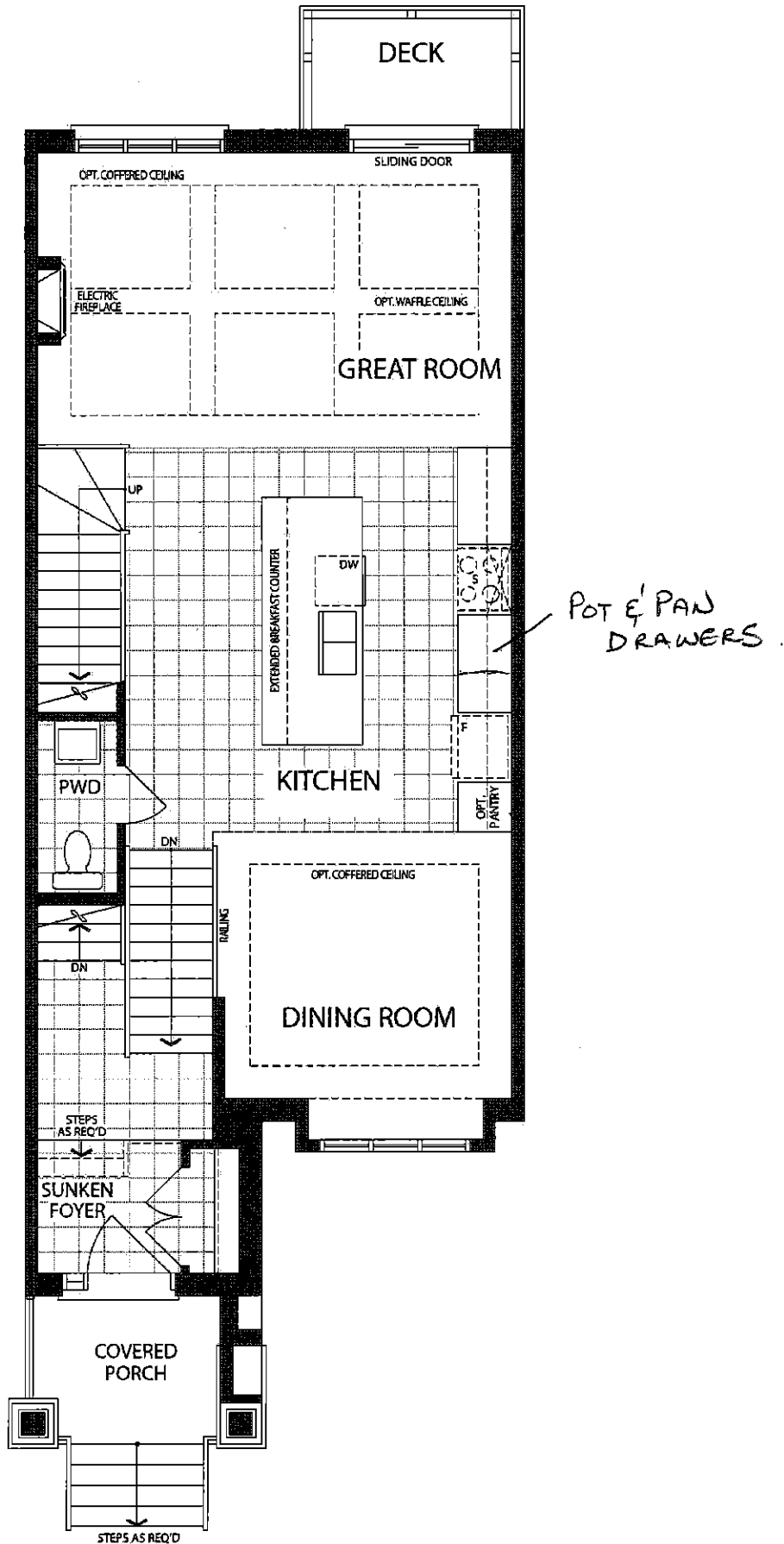
C-2 COUNTRY LANE
LOT 51-3
20-2329 ELEV. B
THE ENGLEWOOD

22 of 46

Sketch # *The Englewood*

20-2329 ELEV. B

ELEVATION B: 2,339 SQ FT



MAIN LEVEL
ELEVATION B

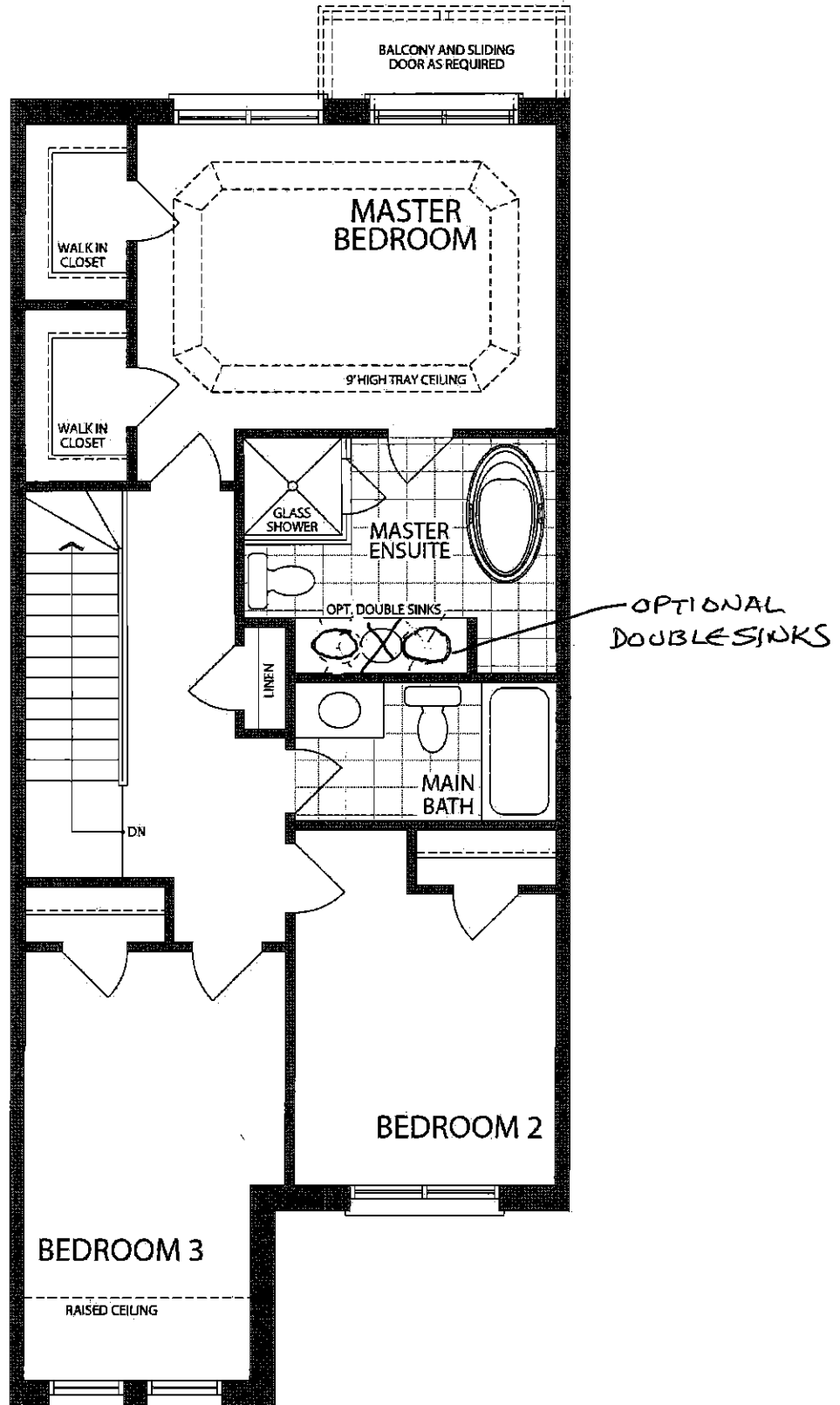
C-2 COUNTRY LANE
LOT 51-3
20-2329 ELEV. B
THE ENGLEWOOD

23 of 46

Sketch #8
The Englewood

20-2329 ELEV. B

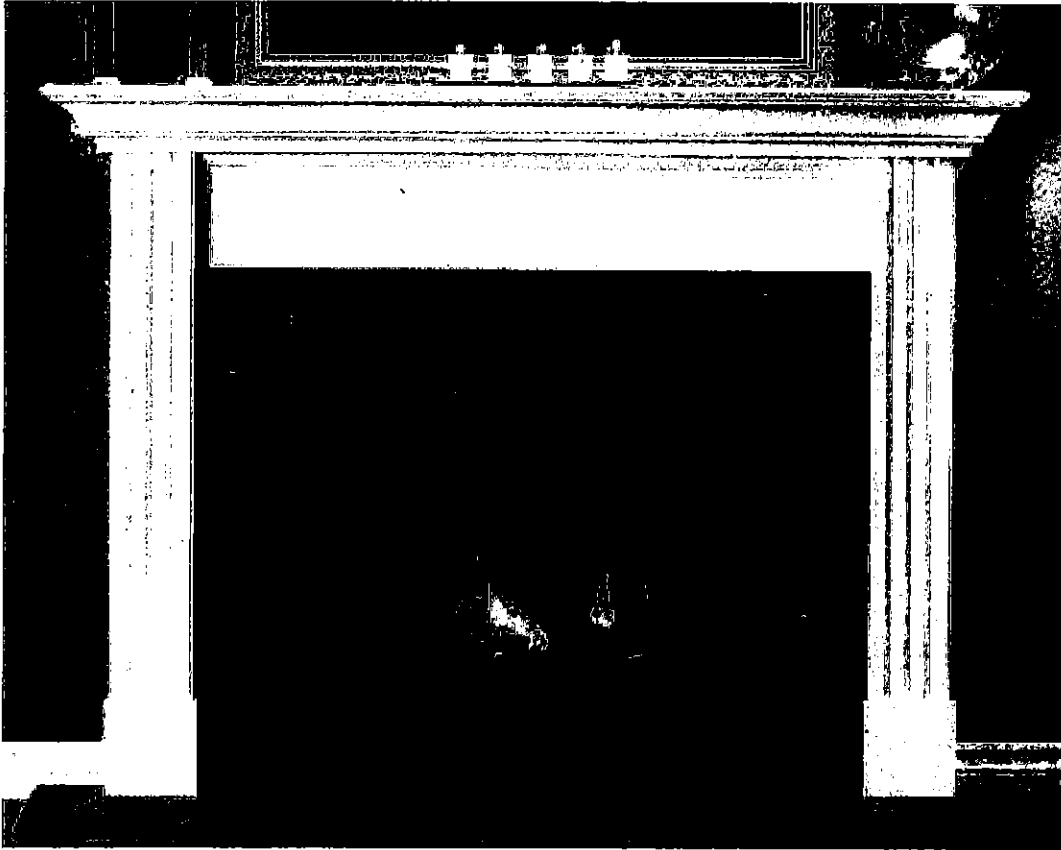
ELEVATION B: 2,339 SQ FT



UPPER LEVEL
ELEVATION B

C-2 COUNTRY LANE
LOT 51-3
20-2329 ELEV. B
THE ENGLEWOOD

24 OF 46



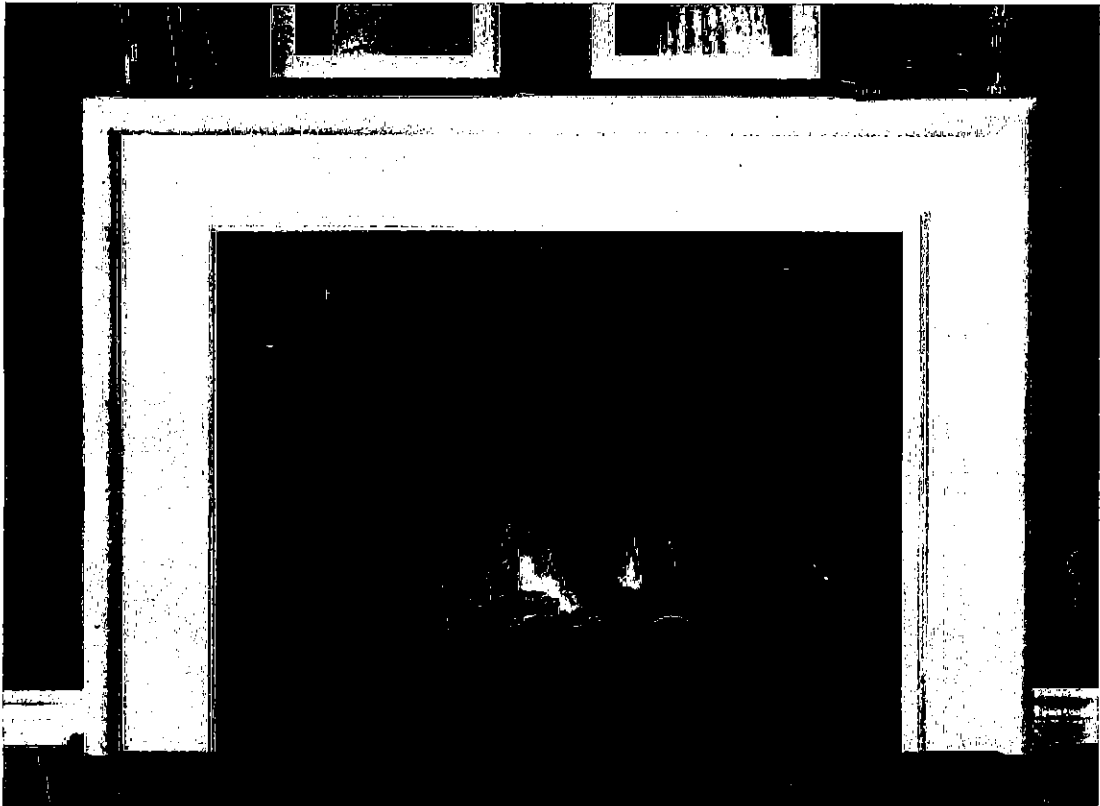
'CABINET'

STANDARD NF 15 Mantel

Clean apron finish with fluted legs
WHITE PAINT GRADE FINISH

(PICTURE SHOWN WITH UPGRADE SURROUND AND HEARTH -PRICED SEPARATELY)

PM
✓ KJ



STANDARD NF 17 Mantel

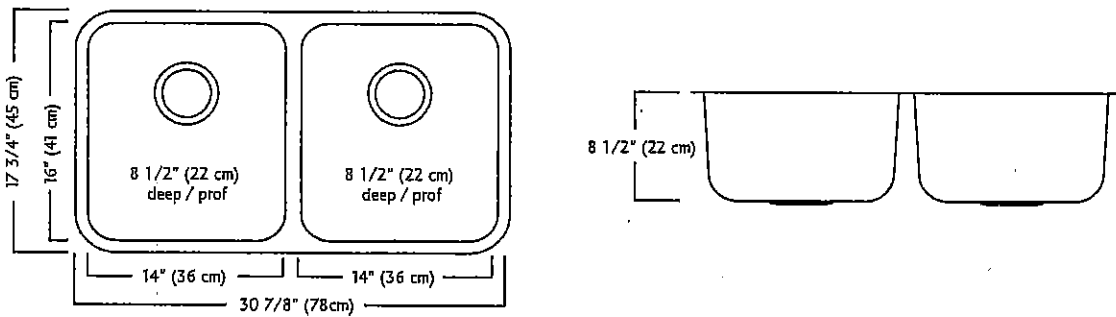
WHITE PAINT GRADE FINISH

(PICTURE SHOWN WITH UPGRADE SURROUND AND HEARTH -PRICED SEPARATELY)

X

KJ

25 of 46



ND1831UA/9 SPECIFICATION

Model ND1831UA/9 is a double (two equal size) bowl undermount sink manufactured by Franke Kindred Canada Limited from 18 gauge stainless steel. Product has silk finished rims and linear brush finished bowls. Sink is fully undercoated. Basket strainer waste fittings (3 1/2", 89 mm) are included. Sink is backed with a limited lifetime warranty.

- O.D. 17 3/4" x 30 7/8" x 8 1/2" (45 x 78 x 22 cm)
- Recommended for minimum 36" cabinet

Franke Kindred Canada Limited
 P.O. Box 190, 1000 Franke Kindred Road, Midland, Ontario, Canada, L4R 4K9 Phone: 866-687-7465 Fax: 800-361-8408

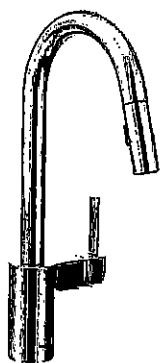
C2 COUNTRY LANE
LOT 51-3
20-2329 ELEV B
THE ENGLEWOOD

26 OF 46

STANDARD KITCHEN FAUCET

Align

Modern



Single Handle Pull-Down Kitchen
Faucet†

Model 7565†

C2 COUNTRY LANE
LOT 51-3
20-2329 ELEV B
THE ENGLEWOOD

27 of 46

*American
Standard*

**BOULEVARD®
PEDESTAL SINK**
VITREOUS CHINA

BOULEVARD® PEDESTAL SINK

- 0641.800 Faucet holes on 8" (203mm) centers (Illustrated).
- * 0641.400 Faucet holes on 4" (102mm) centers
- 0641.100 Center hole only
 - Classic styled rectangular pedestal lavatory
 - Vitreous china
 - Rear overflow
 - Supplied with mounting kit
 - Right Height® for greater comfort during use
 - Faucet ledge with large deck area (faucet not included)
 - **Design coordinates with Boulevard® Tollef**
 - Basin has flat bottom to also allow use as an **above counter sink** or a **drop-in sink** (with u-shaped cut out)

Nominal Dimensions:

24" x 19" x 35-1/2"
(610 x 483 x 902mm)

- 0641.008 Pedestal top-8" (203mm) centers
- 0641.004 Pedestal top-4" (102mm) centers
- 0641.001 Pedestal top-center hole only
- 0010.000 Pedestal only

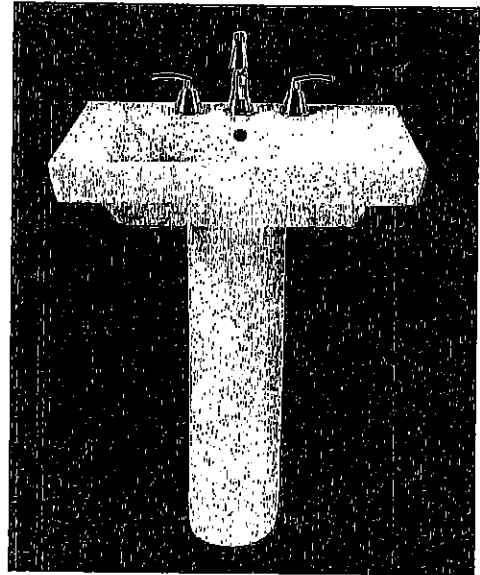
Bowl sizes:

17" (432mm) wide,
12-1/2" (318mm) front to back,
5" (127mm) deep

Compliance Certifications -

Meets or Exceeds the Following Specifications:

- ASME A112.19.2 - 2008/CSA B45.1-08



SEE REVERSE FOR ROUGHING-IN DIMENSIONS

To Be Specified:

- Color: White Linen
- Faucet Finish:
- Supplies:
- 1-1/4" Trap:
- Nipple:

* See faucet section for additional models available

C2 COUNTRY LANE
 LOT 51-3
 20-2329 ELEV B
 THE ENGLEWOOD

28 of 46

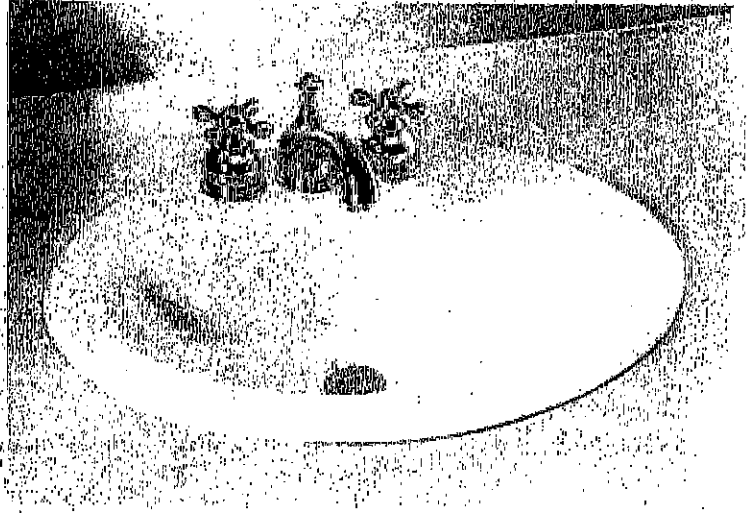
American Standard

BARRIER FREE

COLONY™
 COUNTERTOP SINK
 VITREOUS CHINA

COLONY COUNTERTOP SINK

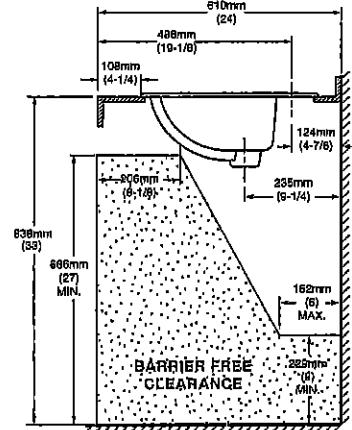
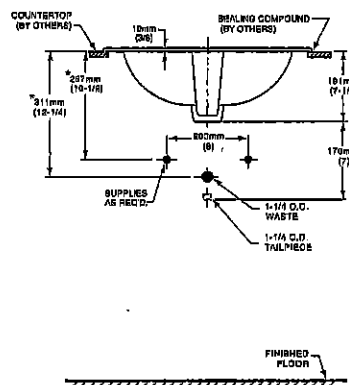
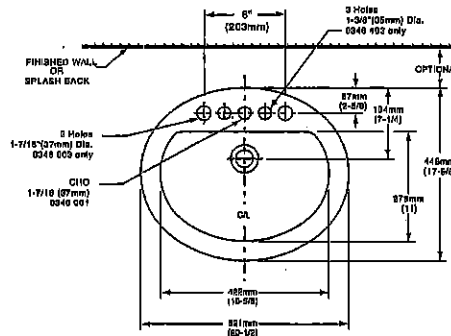
- Vitreous china
- Self-rimming
- Front overflow
- Supplied with template
- Faucet deck
 (Faucet shown not included)



- 0346 803 MASTER ENSUITE
 Faucet holes on 203mm (8") centres
- 0346 403 (Illustrated) - MAINS, LOWER LEVEL BATHROOMS
 Faucet holes on 102mm (4") centres
- 0346 001
 Centre hole only

Nominal Dimensions:
 521 x 448mm (20-1/2" x 17-5/8")

Bowl sizes:
 422mm (16-5/8") wide, 279mm (11") front to back, 143mm (5-5/8") deep



COMPLIANCE CERTIFICATIONS –
 Meets or exceeds the following Specifications:
 • ASME A112.19.2M for Vitreous China Fixtures.
 • CAN/CSA B45 Series.

To Be Specified

- Colour: White Bone Silver Gray Linen
- Faucet*:
- Faucet Finish:
- Supplies & Stops:
- Trap 1-1/4" (32 mm):

NOTES:

* DIMENSIONS SHOWN FOR LOCATION OF SUPPLIES AND "P" TRAP ARE SUGGESTED. FOR COUNTERTOP CUTOUT AND INSTALLATION INSTRUCTIONS USE TEMPLATE SUPPLIED WITH SINK. FAUCETS NOT INCLUDED AND MUST BE ORDERED SEPARATELY. IMPORTANT: Dimensions of fixtures are nominal and may vary within the range of tolerances established by ANSI Standard A112.19.2. These measurements are subject to change or cancellation. No responsibility is assumed for use of superseded or voided pages.

* See faucet section for additional models available

C2 COUNTRY LANE
 LOT 51-3
 20-2329 ELEV B
 THE ENGLEWOOD

29 of 46



Buy it for looks. Buy it for life.®

Specifications

MASTER ENSUITE BATHROOM
 X 2

DESCRIPTION

- Quick connect system
- Metal construction with various finishes identified by suffix
- 1/2" IPS shanks
- Designed to be installed on 8" to 16" centers
- Includes metal pop-up type waste assembly

OPERATION

- Lever style handles with hot and cold color indicators
- Hot side counterclockwise to open (clockwise to close)
- Cold side clockwise to open (counterclockwise to close)

FLOW

- Flow is limited to 1.5 gpm max (5.7L/min) at 60 psi, for products made before October 2008 flow is limited to 2.2 gpm max (8.3 L/min)

CARTRIDGE

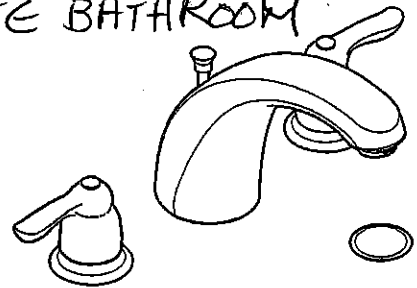
- 1224 cartridge design
- Nonmetallic and stainless steel material

STANDARDS

- Third party certified to WaterSense®, ASME A112.18.1/CSA B125.1 and all applicable requirements referenced therein
- Certified to NSF 61/9 & 372
- Complies with California Proposition 65 and with the Federal Safe Drinking Water Act
- ADA ♿ for lever handles

WARRANTY

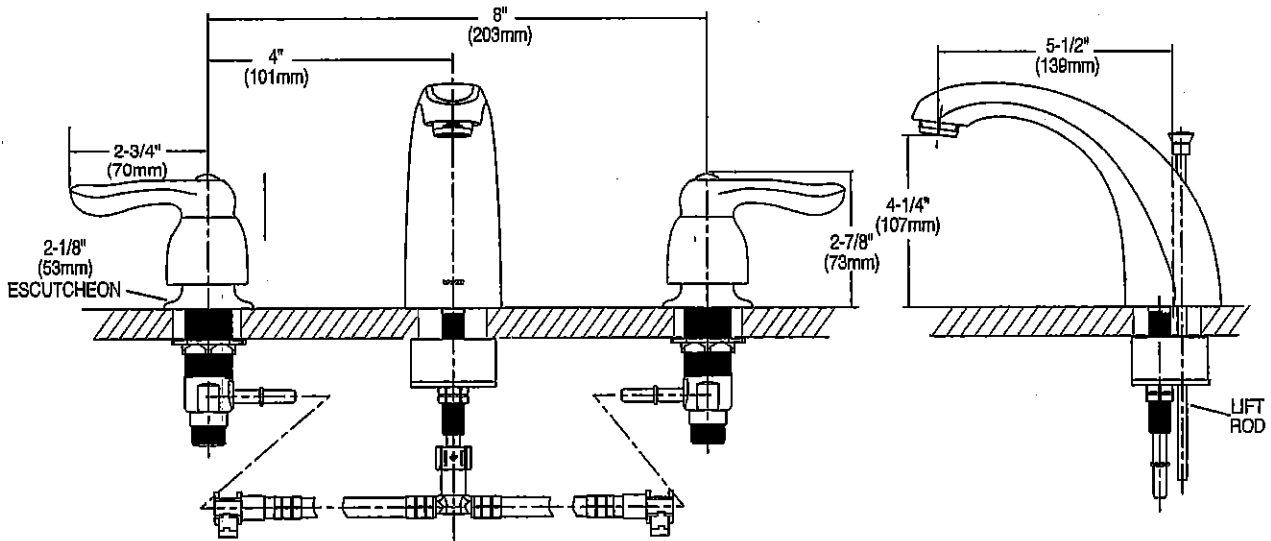
- Lifetime limited warranty against leaks, drips and finish defects to the original consumer purchaser
- 5 year warranty if used in commercial installations



CHATEAU® Two-Handle Widespread Lavatory Faucet

Models: 4945 series

- NOTE:** SPOUT DESIGNED TO BE INSTALLED THROUGH 1" MIN. DIA. HOLE. VALVES INSTALL THROUGH 1-1/8" MIN. DIA. HOLE.
- NOTE:** FOR DECK THICKNESS 1-1/2" to 3", USE SERVICE KIT #115001. VALVES INSTALL THROUGH 1-1/4" DIA. HOLE.



CRITICAL DIMENSIONS

(DO NOT SCALE)

Rev. 8/15

FOR MORE INFORMATION CALL: 1-800-BUY-MOEN

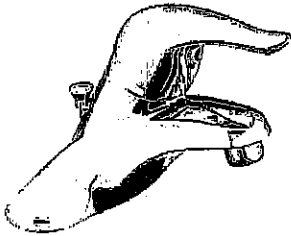
www.moen.com

C2 COUNTRY LANE
LOT 51-3
20-2329 ELEV B
THE ENGLEWOOD

30 OF 46

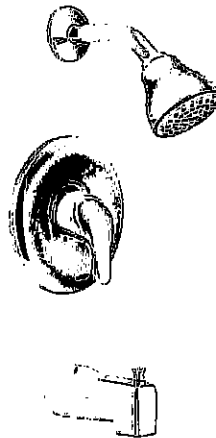
Chateau

Transitional



Lavatory Faucet with Pop-Up Drain
Model L4621†

VANITY SINKS AND PEDESTAL



Posi-Temp® Pressure Balancing Tub/Shower
Model 62320 / TL183†

OR

Posi-Temp Valve and Tub/Shower Trim
with Eco-Performance Easy Clean® XL

Model 62320 / TL183EP†

(TL183EP not available in BC)

SHOWER AND 5' TUB FAUCETS



2 Handle Roman Tub with 9" Spout
Model 4796 / T990†

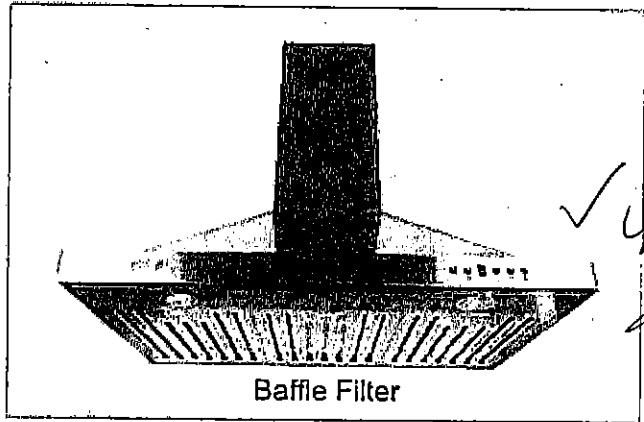
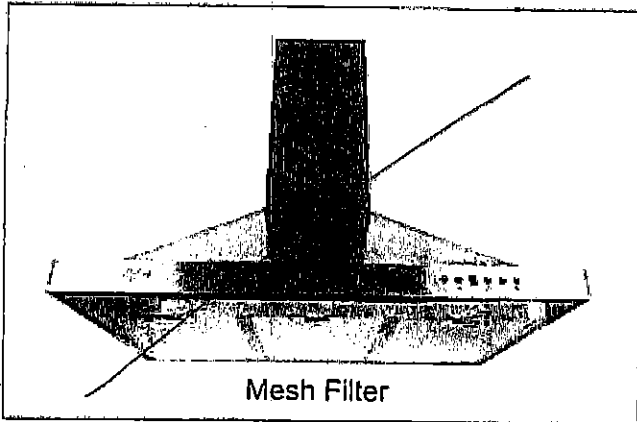
FREESTANDING TUB FAUCETS

C-2 COUNTRY LANE
 LOT 51-3
 20-2329 ELEV. B
 THE ENGLEWOOD

31 of 46

SC(B)519 | ALITO Collection

Cyclone[®]
 Breathe Better



Wall Mount

Strong and sturdy with attractive lines and an imposing frame, the SC(B)519 is fitted with a time-delay OFF feature up to nine minutes, a 550 CFM fan, two bright front mounted LED lights and a digital three-speed push button control panel.

Green Features



3 Speed Push Button Control Panel



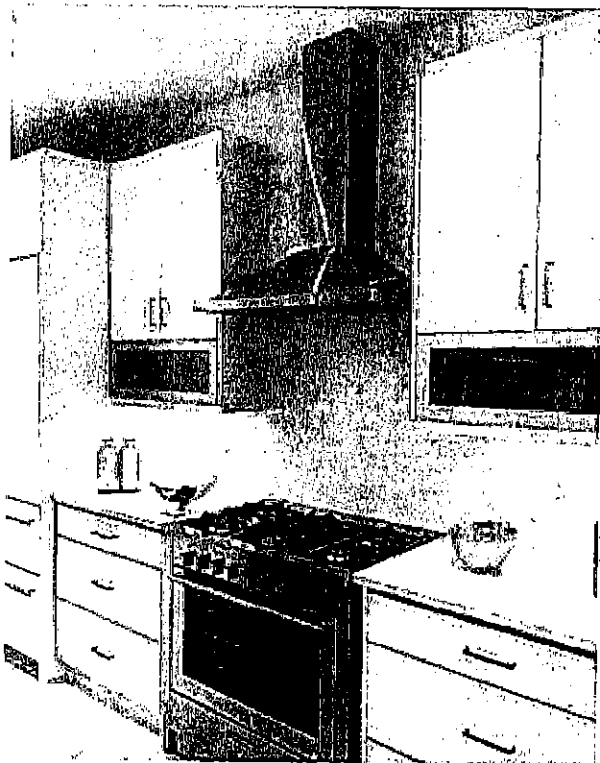
Long-Lasting LED Lights



Time-Delay OFF Feature



Grease Cup



Model	Colour	Ducting	Filters	Size	CFM
SC51924	Stainless Steel	6"	Mesh	24"	550
SC51930	Stainless Steel	6"	Mesh	30"	550
SC51936	Stainless Steel	6"	Mesh	36"	550
SCB51924	Stainless Steel	6"	Baffle	24"	550
SCB51930	Stainless Steel	6"	Baffle	30"	550
SCB51936	Stainless Steel	6"	Baffle	36"	550

Cyclone Range Hoods Inc.

1361 Huntingwood Drive, Unit 16, Toronto, ON, M1S 3J1, Canada.

Toll Free. 1-888-293-5662 Tel: (416) 293-0933 Fax: (416) 293-4793 Website: www.CycloneRangeHoods.com

W/D plan

C-2 COUNTRY LANE
 LOT 51-3
 20-2329 ELEV. B
 THE ENGLEWOOD

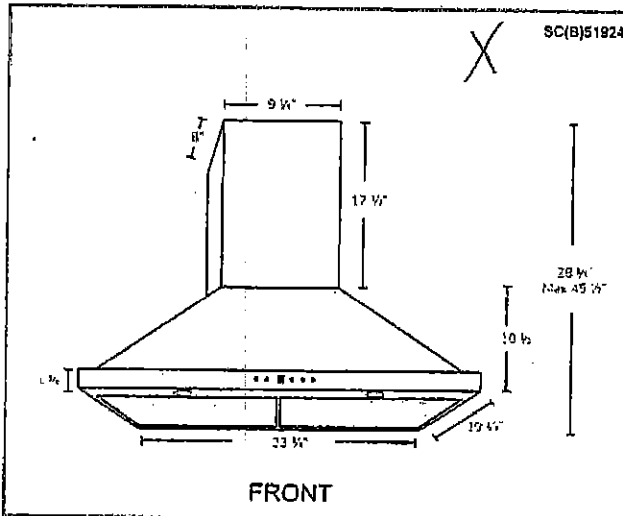
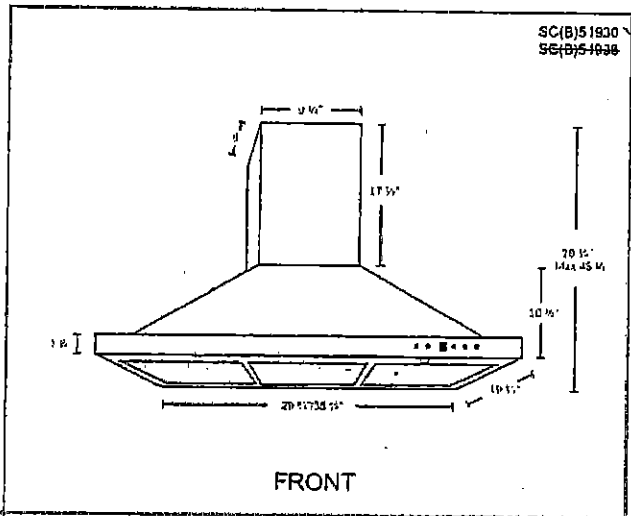
32 of 46

SC(B)519 | ALITO Collection

Cyclone[®]
 Breathe Better

Features

- Wall mount range hood
- 6" round duct adapter
- Non-stick aluminum fan blades
- 3 speed push button control
- 2 LED lights (2 x 1.4W, 4000K)
- Quick release aluminum mesh filters
- Standard chimney fits up to 9 ft. ceiling
- Up to 9 minutes time-delay OFF feature
- Plug-in connection



Options

- Filters:
 - SC519 - Quick Release Aluminum Mesh Filters
 - SCB519 - Quick Release Stainless Steel Baffle Filters
- Chimney Flues:
 - A1.CH10 - short (7'-8' ceilings)
 - A1.CH18 - standard (8'-9' ceilings)
 - A1.CH30 - extended (9'-11' ceilings)
- Widths: 24", 30", 36"

Specifications

- | | | |
|--------------------------------------|--------------------------------|---|
| • Air Flow Volume: 550 CFM | • Current: 2.5 Amps | • Finishes: Stainless Steel |
| • Electrical Connection: 120 V/60 Hz | • Fan Speed: 1599 RPM | • Ducting: 6" Round |
| • Power Consumption: 300 Watts | • Fan Type: Centrifugal Blower | • Noise Level: Min. 2 Sones
Max. 6 Sones |



Toronto • Vancouver • Boston
www.CycloneRangeHoods.com

KJ AM

C-2 COUNTRY LANE
 LOT 51-3
 20-2329 ELEV. B
 THE ENGLEWOOD

34
 33 of 46

Whirlpool® Top Mount Refrigerator

PRODUCT MODEL NUMBERS

WRT311FZD WRT541SZD
 WRT611SZD

PRODUCT DIMENSIONS

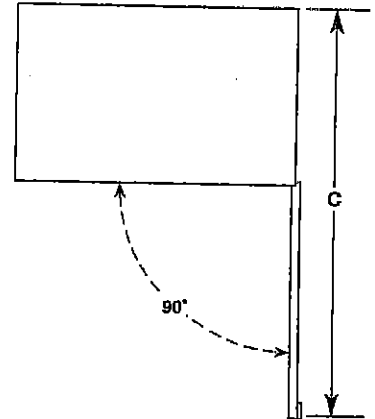
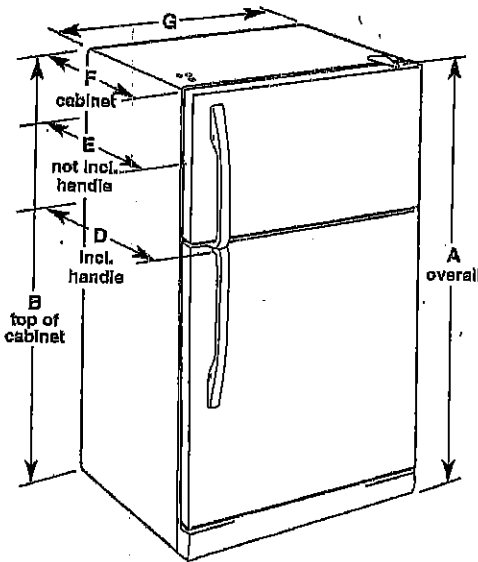
Electrical: A 115-volt, 60-Hz, AC-only, 15- or 20-amp fused, grounded electrical supply is required. It is recommended that a separate circuit serving only your refrigerator be provided. Use an outlet that cannot be turned off by a switch. Do not use an extension cord.

NOTE: Before performing any type of installation, cleaning, or removing a light bulb, turn the control (Thermostat, Refrigerator or Freezer Control depending on the model) to OFF and then disconnect the refrigerator from the electrical source. When you are finished, reconnect the refrigerator to the electrical source and reset the control (Thermostat, Refrigerator or Freezer Control depending on the model) to the desired setting. See "Using the Controls."

Water: A cold water supply with water pressure between 30 and 120 psi (207 and 827 kPa) is required to operate ice maker and water dispenser. If you have questions about your water pressure, call a licensed, qualified plumber.

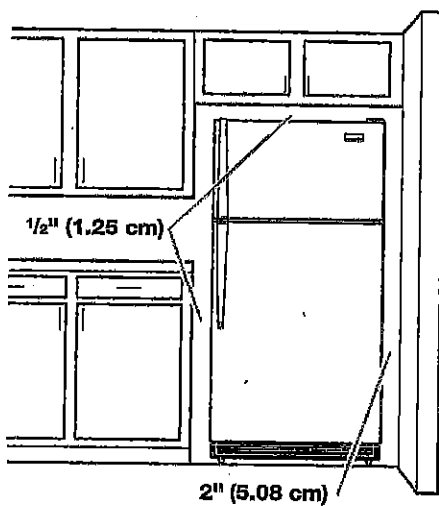
IMPORTANT: The pressure of the water coming out of a reverse osmosis system going to the water inlet valve of the refrigerator needs to be between 30 and 120 psi (207 and 827 kPa).

Reverse Osmosis Water Supply: If a reverse osmosis water filtration system is connected to your cold water supply, the water pressure to the reverse osmosis system needs to be a minimum of 40 to 60 psi (276 to 414 kPa).



Model Number	Model Size	Reversible Door	Height - Overall "A"	Height - Top of Cabinet "B"	Depth - Door Open 90° "C"	Depth - With Handles "D"	Depth - Without Handles "E"	Depth - Cabinet Only "F"	Width - Cabinet "G"
WRT311FZD	20.5 cu. ft.	Yes	66 1/4" (168.3 cm)	65 1/2" (166.4 cm)	62 1/4" (158.1 cm)	32 1/4" (83.5 cm)	30 3/8" (77.8 cm)	28 1/2" (72.4 cm)	32 3/4" (83.2 cm)
WRT511SZD WRT541SZD	21.3 cu. ft.	Yes	66 1/4" (168.3 cm)	65 1/2" (166.4 cm)	62 1/4" (158.1 cm)	34" (86.4 cm)	32 1/2" (82.3 cm)	28 1/2" (72.4 cm)	32 3/4" (83.2 cm)

LOCATION REQUIREMENTS



To ensure proper ventilation for your refrigerator, allow for a 1/2" (1.25 cm) space on each and between overhead cabinets and refrigerator top. Allow at least 1" (2.5 cm) between back of cabinet and the wall. If your refrigerator has an ice maker, make sure you leave some extra space at the back for the water line connections.

If you are installing your refrigerator next to a fixed wall, leave 2" (5 cm) minimum on the hinge side (depending on your model) to allow for the door to swing open.

NOTE: This refrigerator is intended for use in a location where the temperature ranges from a minimum of 55°F (13°C) to a maximum of 110°F (43°C). The preferred room temperature for optimum performance, which reduces electricity usage and provides superior cooling, is between 60°F (15°C) and 90°F (32°C). It is recommended that you do not install the refrigerator near a heat source, such as an oven or radiator.

Because Whirlpool Corporation policy includes a continuous commitment to improve our products, we reserve the right to change materials and specifications without notice.

Dimensions are for planning purposes only. For complete details, see Installation Instructions packed with product. Specifications subject to change without notice.

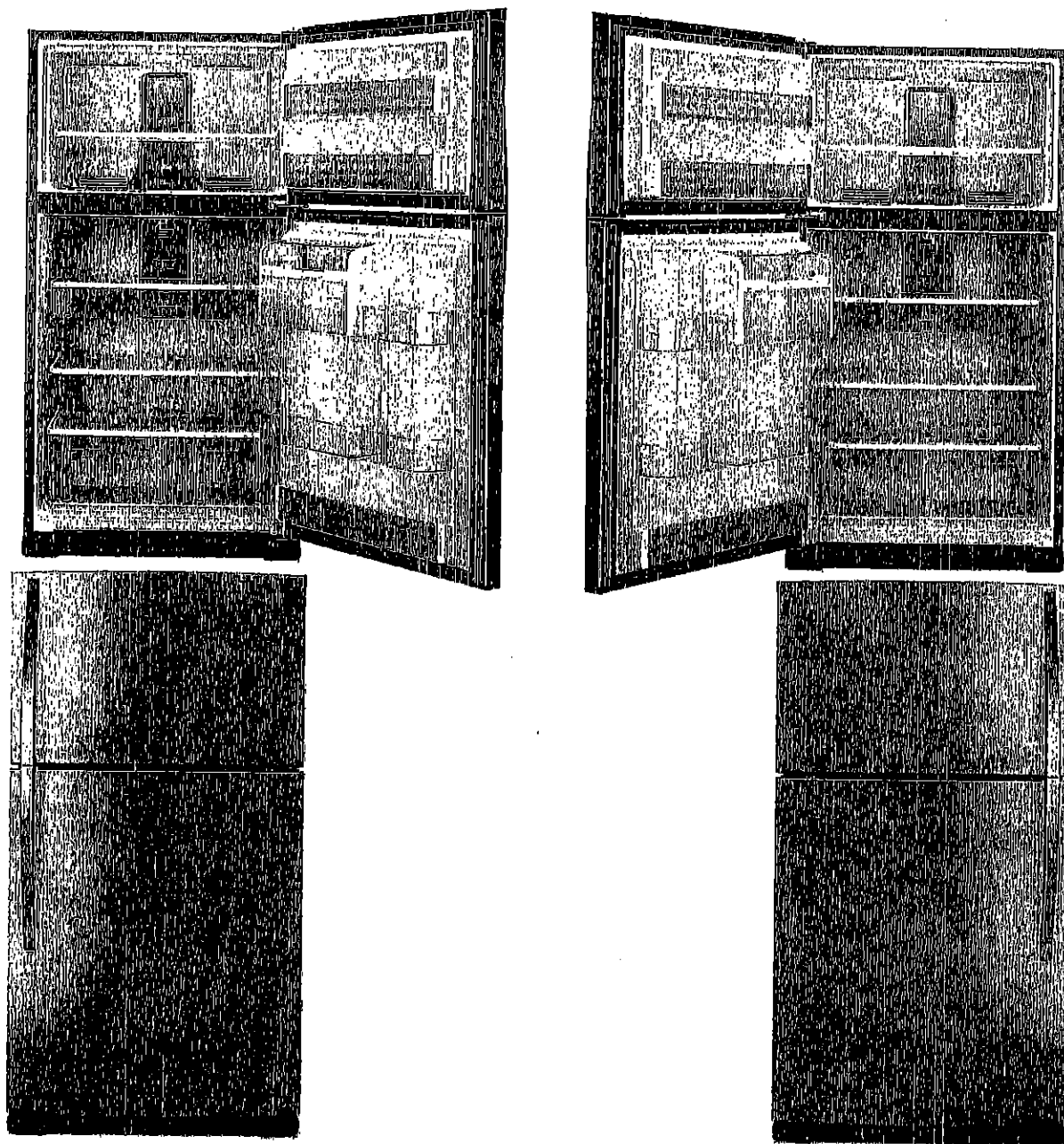
Ref. W10674106
 10/29/14

Handwritten initials: KD am

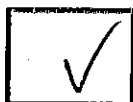
C-2 COUNTRY LANE
LOT 51-3
20-2329 ELEV. B
THE ENGLEWOOD

34 OF 46

Refrigerator Door Swing Verification



When facing the refrigerator



**RIGHT HAND
DOOR OPENING**

mf

INITIAL

- Hinges on right
- Handle on left

**LEFT HAND
DOOR OPENING**



- Hinges on left
- Handle on right

INITIAL

Please check and INITIAL your door swing selection.

KJ ar

C-2 COUNTRY LANE
LOT 51-3
20-2329 ELEV. B
THE ENGLEWOOD

35 OF 46

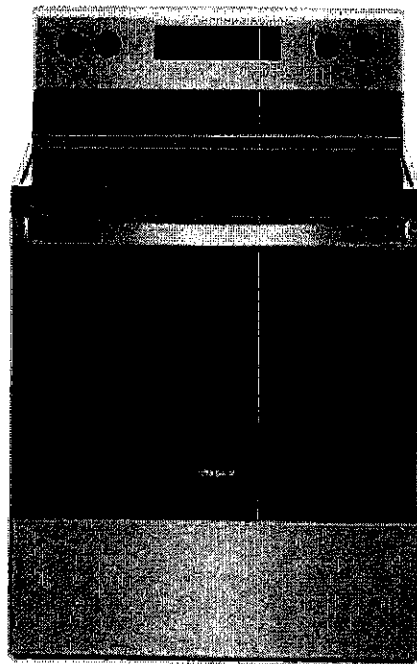
WHIRLPOOL 30" (76.0 CM) FREESTANDING ELECTRIC RANGES
Model YWFE515S0JS

5.3 cu. ft. Whirlpool® electric range with Frozen
Bake™ technology

YWFE515S0JS

Whirlpool

Home > Kitchen Appliances > Cooking Appliances > Ranges > Single Oven Ranges > YWFE515S0JS



2



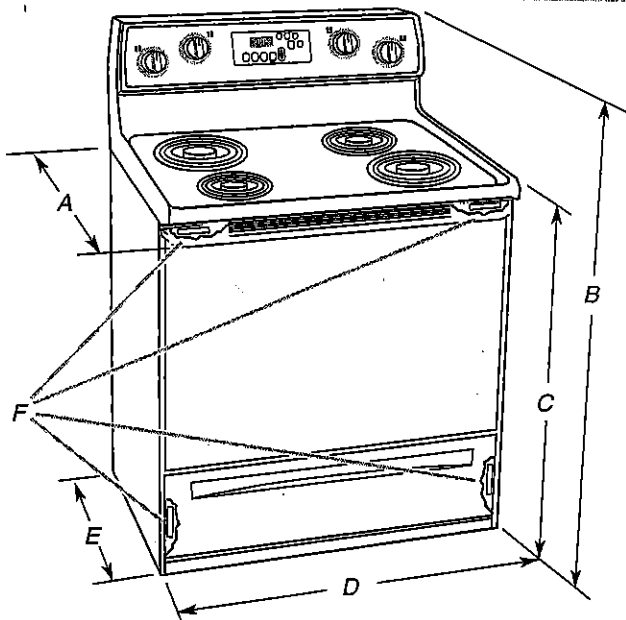
428 am

C-2 COUNTRY LANE
 LOT 51-3
 20-2329 ELEV. B
 THE ENGLEWOOD

36 of 46

WHIRLPOOL 30" (76.0 CM) FREESTANDING ELECTRIC RANGES
Model YWFE515S0JS

Product Dimensions



- A. 27³/₄" (70.5 cm) max. depth with handle
- B. 46⁷/₈" (119.1 cm) overall height (max.) with leveling legs screwed all the way in*
- C. 36" (91.4 cm) cooktop height (max.) with leveling legs screwed all the way in*
- D. 29⁷/₈" (75.9 cm) width
- E. 25⁵/₁₆" (64.3 cm) depth - back of range to front of cooktop**
- F. Model/serial/rating plate (located on the frame behind a top corner of the door or either side of the drawer)

IMPORTANT: Range must be level after installation. Follow the instructions in the "Level Range" section. Using the cooktop as a reference for leveling the range is not recommended.

*Range can be raised approximately 1" (2.5 cm) by adjusting the leveling legs.

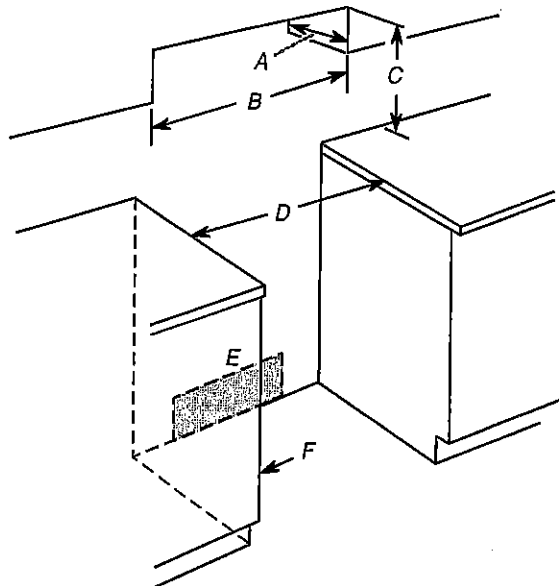
**Front of door and drawer may extend further forward depending on styling.

Cabinet Dimensions

Cabinet opening dimensions shown are for 25" (64.0 cm) countertop depth, 24" (61.0 cm) base cabinet depth and 36" (91.4 cm) countertop height.

IMPORTANT: If installing a range hood or microwave hood combination above the cooking surface, follow the range hood or microwave hood combination installation instructions for dimensional clearances above the cooktop surface.

A freestanding range may be installed next to combustible walls with zero clearance.



- A. 13" (33.0 cm) max. upper cabinet depth
- B. 30" (76.2 cm) min. opening width
- C. For minimum clearance to top of cooktop, see NOTE*
- D. 30" (76.2 cm) min. opening width
- E. Outlet - 8" (20.3 cm) to 22" (55.9 cm) from either cabinet, 7" (17.8 cm) max. from floor.
- F. Cabinet door or hinges should not extend into the cutout.

***NOTE:** 24" (61.0 cm) minimum when bottom of wood or metal cabinet is covered by not less than 1/4" (6.4 mm) flame retardant millboard covered with not less than No. 28 MSG sheet steel, 0.015" (0.4 mm) stainless steel, 0.024" (0.6 mm) aluminum or 0.020" (0.5 mm) copper.

30" (76.2 cm) minimum clearance between the top of the cooking platform and the bottom of an uncovered wood or metal cabinet.

Handwritten signature

JAN 28/20

37 of 46

**WHIRLPOOL 30" (76.0 CM) FREESTANDING ELECTRIC RANGES
 Model YWFE515S0JS**

Install Anti-Tip Bracket

⚠ WARNING



Tip Over Hazard

A child or adult can tip the range and be killed.

Install anti-tip bracket to floor or wall per installation instructions.

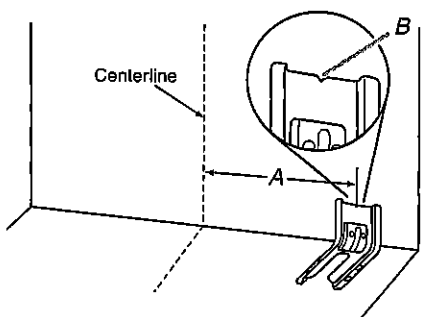
Slide range back so rear range foot is engaged in the slot of the anti-tip bracket.

Re-engage anti-tip bracket if range is moved.

Do not operate range without anti-tip bracket installed and engaged.

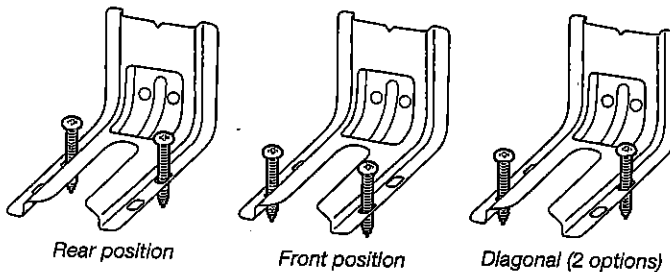
Failure to follow these instructions can result in death or serious burns to children and adults.

1. Remove the anti-tip bracket from where it is taped inside the storage drawer or warming drawer.
2. Determine which mounting method to use: floor or wall.
 If you have a stone or masonry floor, you can use the wall mounting method. If you are installing the range in a mobile home, you must secure the range to the floor.
3. Determine and mark centerline of the cutout space. The mounting can be installed on either the left-side or right-side of the cutout. Position mounting bracket against the wall in the cutout so that the V-notch of the bracket is $12\frac{9}{16}$ " (31.9 cm) from centerline as shown.

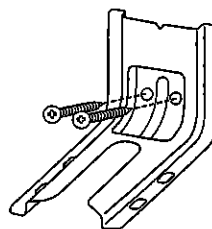


A. $12\frac{9}{16}$ " (31.9 cm)
 B. Bracket V-notch

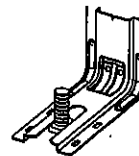
Floor Mounting



Wall Mounting



5. Using the Phillips screwdriver, mount anti-tip bracket to the wall or floor with the two #12 x $1\frac{5}{8}$ " (4.1 cm) screws provided.
6. Move range close enough to opening to allow for final electrical connections. Remove shipping base, cardboard or hardboard from under range.
7. Move range into its final location, making sure rear leveling leg slides into anti-tip bracket.



8. Move range forward onto shipping base, cardboard or hardboard to continue installing the range using the following installation instructions.

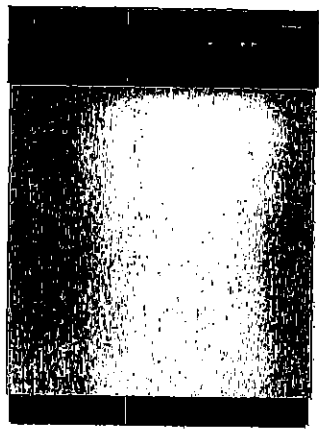
4. Drill two $\frac{1}{8}$ " (3 mm) holes that correspond to the bracket holes of the determined mounting method. See the following illustrations.

Handwritten signature

C-2 COUNTRY LANE
 LOT 51-3
 20-2329 ELEV B
 THE ENGLEWOOD





38 of 46

Whirlpool® Dishwasher with ENERGY STAR® qualification



WDF310PAAS
Black-on-Stainless

OTHER AVAILABLE COLORS

-  **Black**
Model: WDF310PAAB
-  **Black-on-Biscuit**
Model: WDF310PAAT
-  **White**
Model: WDF310PAAW
-  **Universal Silver**
Model: WDF310PAAD



DIMENSIONS		KEY FEATURES
Maximum Height	34 1/2 Inches	ENERGY STAR® Qualified No One Has Fewer Repairs 17 Years In A Row Resource - Efficient Wash System CEE Tier 1 qualified Tall Tub Design White Plastic Interior Quiet Partner(TM) Sound Package Auto Soil Sensor Electronic Controls 3 Automatic Cycles 1-Hour Wash Cycle Heavy Wash Cycle Normal Cycle 4 Options High Temperature Wash System Heated Dry Option 4 Hour Delay Wash Option 4-Tier SheerClean Direct Feed Wash System Control Lock Vinyl Racks In-Rack Silverware Basket
Minimum Height	33 1/2 Inches	
Height	34 1/2 Inches	
Depth	24 1/2 Inches	
Width	23 7/8 Inches	
<small>Dimensions shown are for planning purposes only. For complete information, see installation instructions packaged with product.</small>		
ELECTRICAL		
15 Amps Amps. 60 Hz. 120 V. 15,		
<small>Before purchasing this appliance, read important information about its estimated annual energy consumption or energy efficiency rating that is available from your dealer.</small>		

Handwritten signature

C-2 COUNTRY LANE
 LOT 51-3
 20-2329 ELEV B
 THE ENGLEWOOD

39 3 OF 46

Whirlpool® Undercounter Dishwasher

PRODUCT MODEL NUMBERS

WDF110PAB	WDE310PLA	WDF530PSY
WDF111PAB	WDF320PAD	WDF540PAD
WDF120PAF	WDF510PAY	WDF730PAY
WDF121PAF	WDF520PAD	WDT710PAY
WDF310PAA	WDF530PAY	WDT720PAD
WDF310PCA	WDF530PLY	WDT770PAY

Electrical Requirements: 120-volt, 60-Hz, AC only, 15- or 20-amp. fused electrical supply. Copper wire only. A time delay fuse or circuit breaker and separate circuit is recommended.

If direct wiring dishwasher: Use flexible, armored, or nonmetallic, sheathed copper wire with grounding wire that meets the wiring requirements for your home and local codes and ordinances.



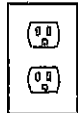
Use a UL listed or CSA approved conduit connector.

If connecting dishwasher with a power supply cord:

Use Power Supply Cord Kit (Part No. 4317824) marked for use with dishwashers. Follow the kit instructions for installing the power supply cord.



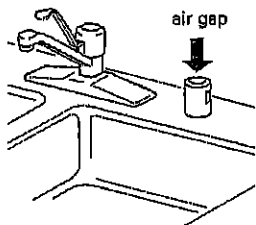
Power supply cord must plug into a grounded 3 prong, outlet, located in the cabinet next to the dishwasher opening. Outlet must meet all local codes and ordinances.



Water Supply Requirements: A hot water line with 20 to 120 psi (138 to 862 kPa) water pressure. Water temperature must be 120°F (49°C) water at dishwasher. Use 3/8" O.D. copper tubing with compression fitting or flexible braided water supply line (1/2" minimum plastic tubing is not recommended). Use a 90° elbow with 1/4" N.P.T. external pipe threads on one end. Do not solder within 6" (15.2 cm) from water inlet valve.

Drain Requirements: A new drain hose is supplied with your dishwasher. If this is not long enough, use a new drain hose with a maximum length of 12' (3.7 m) (Part No. 3385566) that meets all current AHAM/IAPMO test standards, is resistant to heat and detergent, and fits the 1" (2.5 cm) drain connector of the dishwasher.

Make sure to connect the drain hose to waste tee or disposer inlet above drain trap in house plumbing and 20" (50.8 cm) minimum above the floor. It is recommended



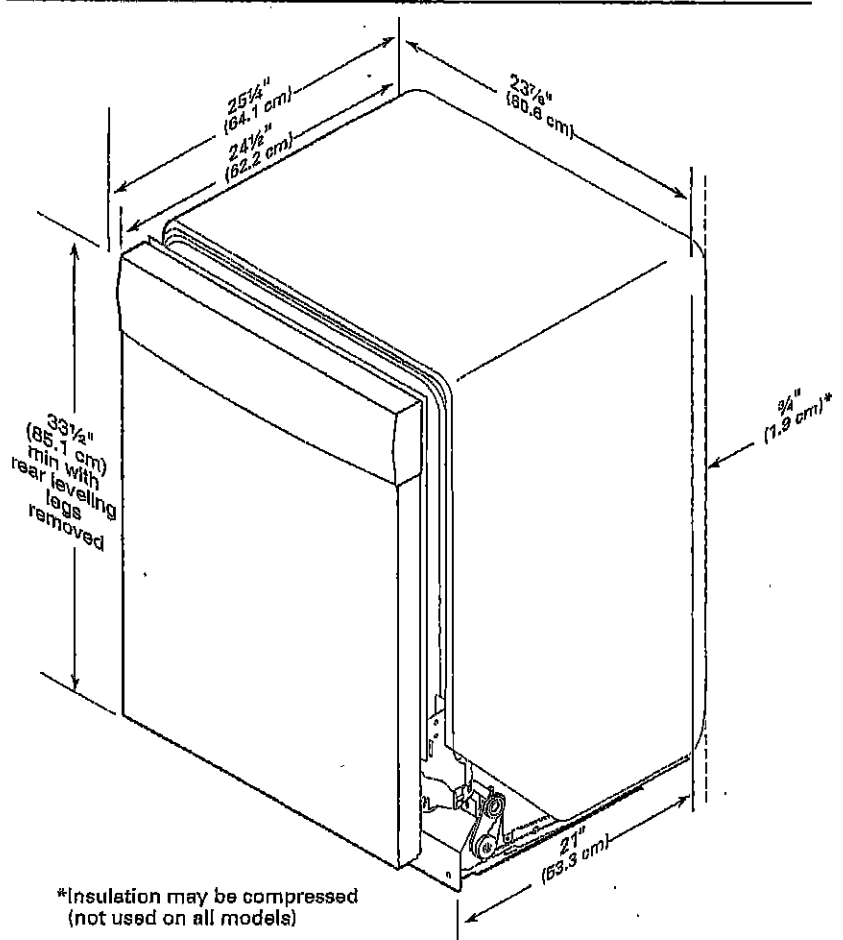
that the drain hose either be looped up and securely fastened to the underside of the counter or be connected to an air gap.

Make sure to use an air gap if the drain hose is connected to house plumbing lower than 20" (50.8 cm) above subfloor or floor.

Use 1/2" (1.3 cm) minimum I.D. drain line fittings.

If required, the air gap should be installed in accordance with the air gap installation instructions. When connecting the air gap, a rubber hose (not provided) will be needed to connect to the waste tee or disposer inlet.

PRODUCT DIMENSIONS



*Insulation may be compressed (not used on all models)

Handwritten signature or initials.

C-2 COUNTRY LANE
LOT 51-3
20-2329 ELEV B
THE ENGLEWOOD

40 of 46

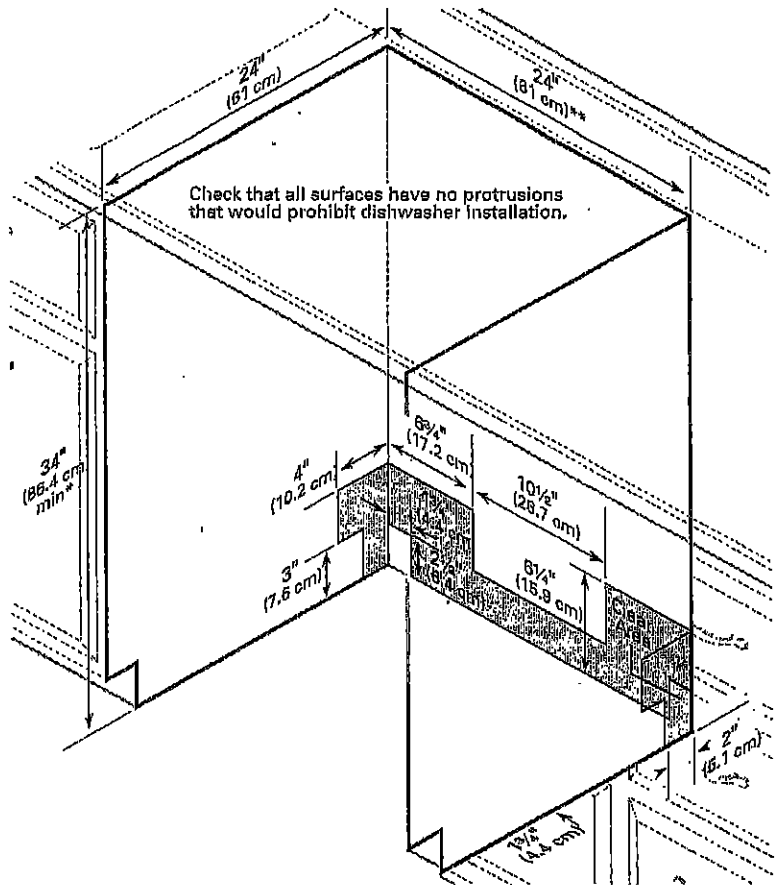
CABINET CUTOUT DIMENSIONS

WDF320PAD

NOTE: Shaded areas of cabinet walls show where utility connections may be installed.

*Measure from the lowest point on the underside of the countertop. May be reduced to 33½" (85.1 cm) by removing the rear leveling legs from dishwasher.

**Minimum, measured from narrowest point of opening.



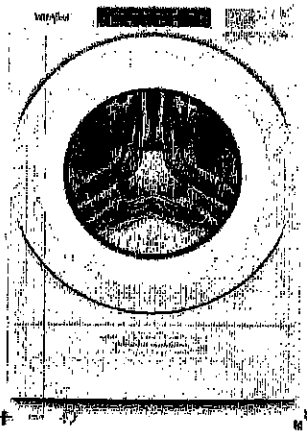
Handwritten signature

C-2 COUNTRY LANE
LOT 51-3
20-2329 ELEV. B
THE ENGLEWOOD

41 OF 46

WHIRLPOOL WASHER Model #: WFW5620HW

Whirlpool Brand Canada English | Washer and Dryer | Washers | Front Load Washers | WFW5620HW



5.2 cu. ft. I.E.C. Closet-Depth Front Load Washer with Load & Go™ Dispenser



5.2 cu. ft. I.E.C. Closet-Depth Front Load Washer with Load & Go™ Dispenser

Model #: WFW5620HW

Dimensions

Depth	90.17 cm, 31-9/16 in
Depth With Door Open 90 Degree	143.51 cm, 56-1/2 in
Minimum Height	98.11 cm, 38-5/8 in
Width	68.58 cm, 27.0 in

Appearance

LCD Touch Screen	No
Window	Yes

Details

Drum Material	Stainless Steel
---------------	-----------------

Cycles and Options

Number of Wash Cycles	37
-----------------------	----

Electrical

Hz	60
Power Cord Included	Yes

Handwritten signature or initials.

C-2 COUNTRY LANE
 LOT 51-3
 20-2329 ELEV. B
 THE ENGLEWOOD

42 of 46

WHIRLPOOL WASHER Model #: WFW5620HW

LOCATION REQUIREMENTS

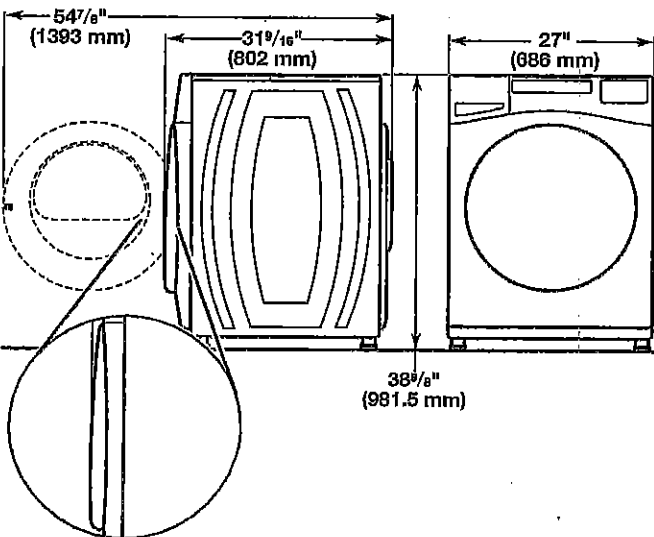
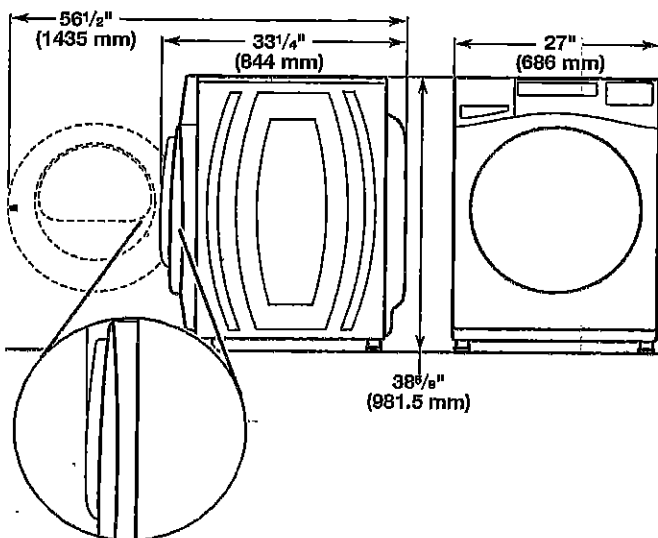
Proper installation is your responsibility.

You will need:

- A water heater set to 120°F (49°C).
- A grounded electrical outlet located within 6 ft (1.8 m) of power cord on back of washer.
- Hot and cold water faucets located within 4 ft (1.2 m) of hot and cold water fill valves on washer, and water pressure of 20–100 psi (137.9–689.6 kPa).
- A level floor with maximum slope of 1" (25 mm) under entire washer. Installing on carpet or surfaces with foam backing is not recommended.
- Floor must support washer's total weight (with water and load) of 315 lbs (143 kgs).

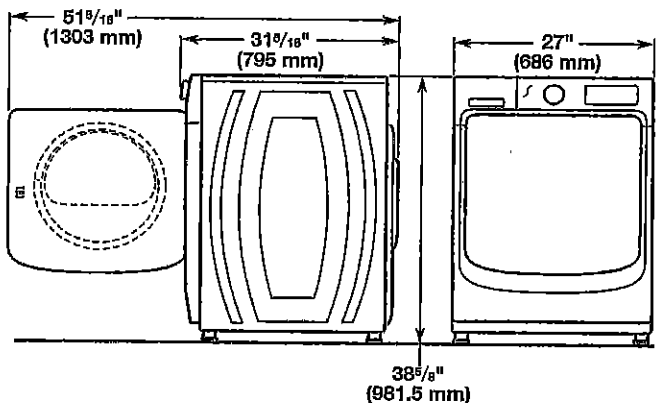
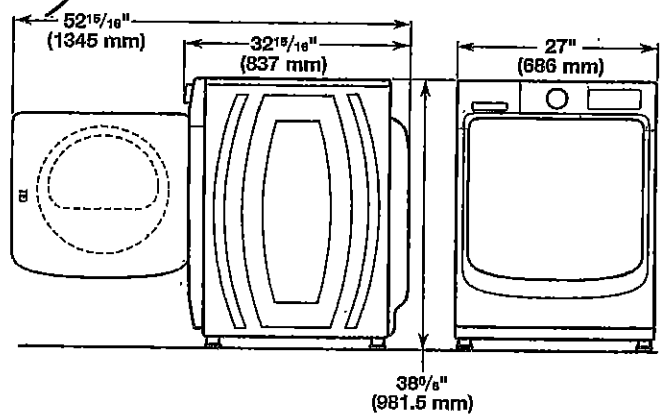
IMPORTANT: Do not install, store, or operate washer where it will be exposed to weather or in temperatures below 32°F (0°C). Water remaining in washer after use may cause damage in low temperatures. See "Washer Care" in your Use and Care Guide for winterizing information.

Whirlpool Models* ✓



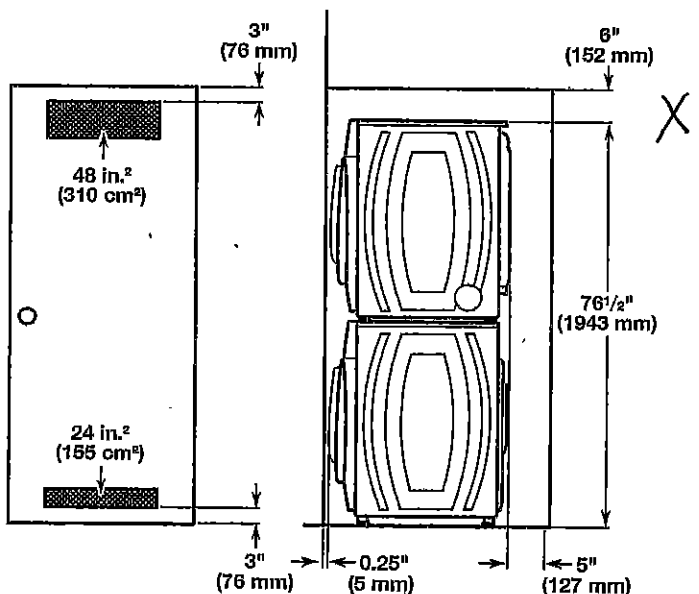
*For additional details (or information) specific to your model, refer to the 'Dimensions' listed for your model at www.whirlpool.com.

Maytag Models



All dimensions show minimum spacing allowed. For each arrangement, consider allowing more space for ease of installation and servicing, and spacing for companion appliances and clearances for walls, doors, and floor moldings. Space must be large enough to allow door to fully open. Add spacing of 1" (25 mm) on all sides of washer to reduce noise transfer. If a closet door or louvered door is installed, top and bottom air openings in door are required.

Recessed area or closet installation (stacked washer and dryer):



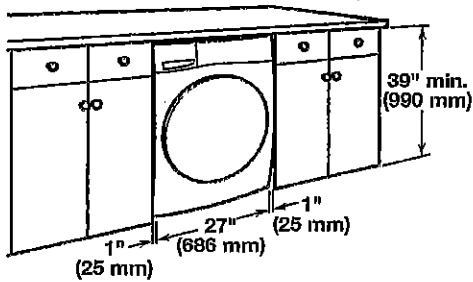
Handwritten signature or initials.

C-2 COUNTRY LANE
 LOT 51-3
 20-2329 ELEV. B
 THE ENGLEWOOD

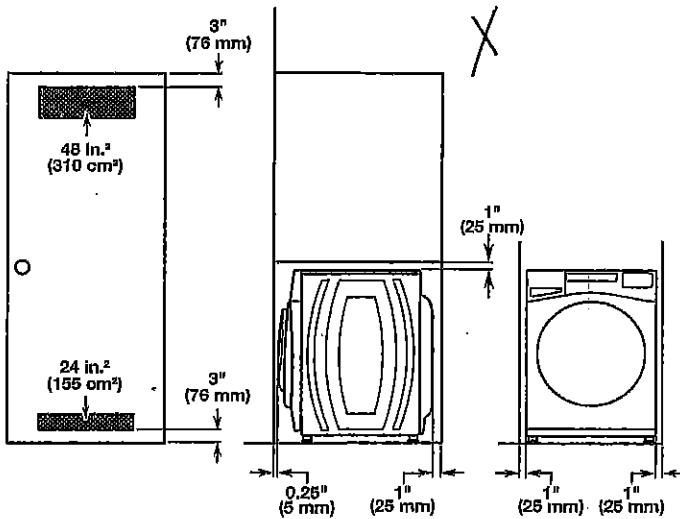
43 of 46

WHIRLPOOL WASHER Model #: WFW5620HW

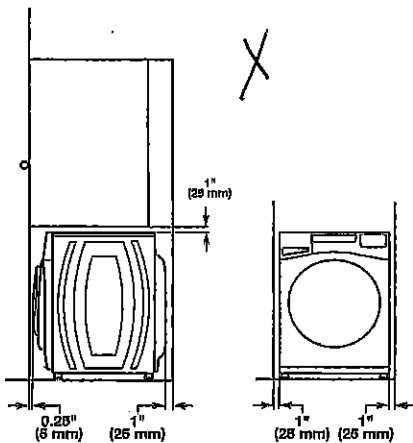
Custom under-counter installation: X



Recessed area or closet installation: X



Custom cabinet installation: X

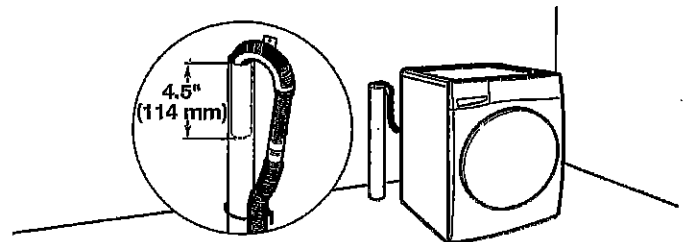


DRAIN SYSTEM

The drain system can be installed using a floor drain, wall standpipe, floor standpipe, or laundry tub. Select the method you need.

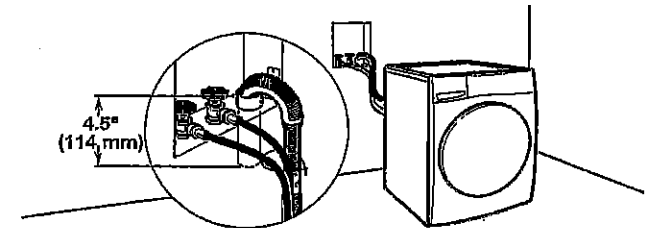
IMPORTANT: To avoid siphoning, only 4.5" (114 mm) of drain hose should be inside standpipe. Always secure drain hose with cable tie.

Floor standpipe drain system



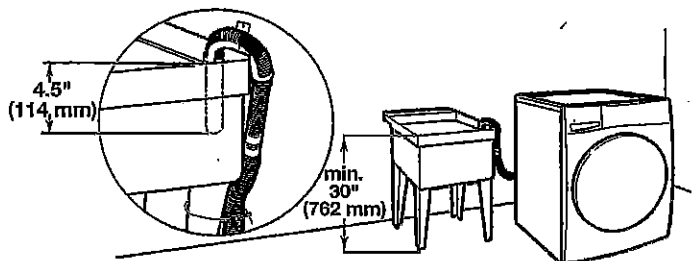
Minimum diameter for a standpipe drain: 2" (51 mm). Minimum carry-away capacity: 17 gal. (64 L) per minute. A 1/4" (6 mm) diameter to 1" (25 mm) diameter Standpipe Adapter Kit is available (Part Number 3363920). Top of standpipe must be at least 30" (762 mm) high; install no higher than 96" (2.44 m) from bottom of washer. If you have an overhead sewer and need to pump higher than 96" (2.44 m), a sump pump and associated hardware are needed. See "Alternate parts."

Wall standpipe drain system



See requirements for floor standpipe drain system.

Laundry tub drain system



Minimum capacity: 20 gal. (76 L). Top of laundry tub must be at least 30" (762 mm) above floor; install no higher than 96" (2.44 m) from bottom of washer.

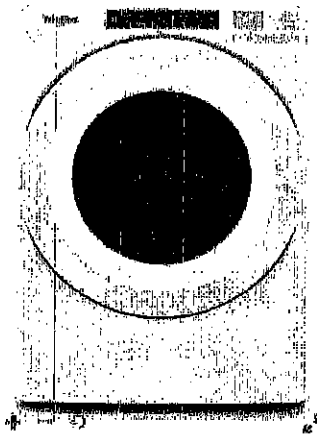
Handwritten signature

C-2 COUNTRY LANE
 LOT 51-3
 20-2329 ELEV. B
 THE ENGLEWOOD

44 of 46

WHIRLPOOL DRYER Model #: YWED5620HW

Whirlpool Brand Canada English | Washer and Dryers | Dryers | Electric Dryers | YWED5620HW



7.4 cu. ft. Front Load Electric Dryer with Intuitive Touch Controls



Whirlpool 7.4 cu. ft. Front Load Electric Dryer with Intuitive Touch Controls

Model #: YWED5620HW

Dimensions

Depth	78.74 cm, 31.0 in
Depth With Door Open 90 Degree	138.43 cm, 54-1/2 in
Height	98.42 cm, 38-9/4 in
Width	68.58 cm, 27.0 in

Configuration and Overview

Fuel Type	Electric
-----------	----------

Cycles and Options

Cycle Time Remaining	Yes
List Filter Indicator	No
Number of Dryer Cycles	36
Number of Dryness Levels	3

Ventilation System

Long Vent	No
Maximum Vent Length	64
Venting Direction	Left, Right, Bottom, Rear

Electrical

Hz	60
Power Cord Included	Yes

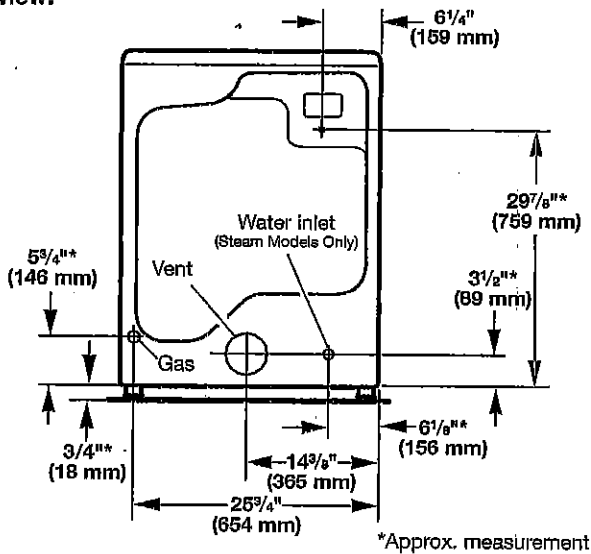
Handwritten signature/initials

C-2 COUNTRY LANE
 LOT 51-3
 20-2329 ELEV. B
 THE ENGLEWOOD

45 of 46

WHIRLPOOL DRYER Model #: YWED5620HW

Back view:



NOTE: Most installations require a minimum of 5" (127 mm) clearance behind dryer for exhaust vent with elbow. See "Venting Requirements."

Installation Clearances

For each arrangement, consider allowing more space for ease of installation and servicing, spacing for companion appliances, and clearances for walls, doors, and floor moldings. Space must be large enough to allow door to fully open. Add spacing on all sides of dryer to reduce noise transfer. If a closet door or louvered door is installed, top and bottom air openings in door are required.

Check code requirements. Some codes limit, or do not permit, installation of the dryer in garages, closets, mobile homes, or sleeping quarters. Contact your local building inspector.

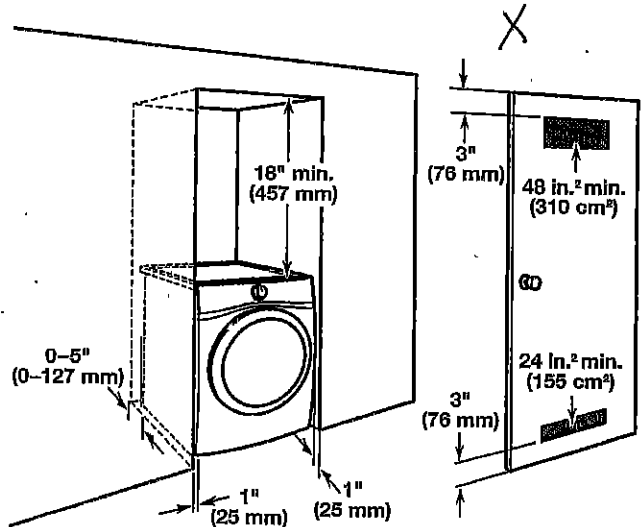
NOTE: No other fuel-burning appliance can be installed in the same closet as a dryer.

Installation spacing for recessed area or closet installation

All dimensions show recommended and minimum spacing allowed.

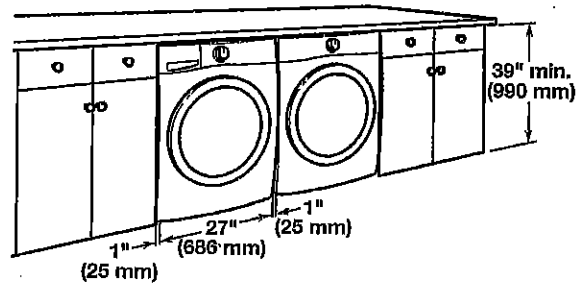
- Additional spacing should be considered for ease of installation and servicing.
- Additional clearances might be required for wall, door, floor moldings, dryer venting, and gas line.
- Additional spacing should be considered on all sides of the dryer to reduce noise transfer.
- For closet installation with a door, minimum ventilation openings in the top and bottom of the door are required. Louvered doors with equivalent ventilation openings are acceptable.
- Companion appliance spacing should also be considered.

Recommended installation clearances (dryer only):



0" (0 mm) rear spacing is allowed for straight back venting only. For steam models only, inlet hose must not be kinked.

Custom under-counter installation:



Mobile home - Additional installation requirements:

This dryer is suitable for mobile home installations. The installation must conform to the Manufactured Home Construction and Safety Standard, Title 24 CFR, Part 3280 (formerly the Federal Standard for Mobile home construction and Safety, Title 24, HUD Part 280) or Standard CAN/CSA-Z240 MH.

Mobile home installations require:

- Metal exhaust system hardware, available for purchase from your dealer. For further information, see "Assistance or Service" in your Use and Care Guide.
- Special provisions must be made in mobile homes to introduce outside air into dryer. Openings (such as a nearby window) should be at least twice as large as dryer exhaust opening.

For mobile home installation of gas dryers:

- Mobile Home Installation Hold-down Kit Part Number 346764 is available to order. For further information, see "Assistance or Service" in your Use and Care Guide.

YSA am

C-2 COUNTRY LANE
 LOT 51-3
 20-2329 ELEV. B
 THE ENGLEWOOD

46 of 46

WHIRLPOOL DRYER Model #: YWED5620HW

Additional parts may be required, depending on your installation. Check local codes. Check existing electrical supply and venting. Read "Electrical Requirements" and "Venting Requirements" before purchasing parts.

If using a power supply cord:

Use a UL Listed power supply cord kit marked for use with clothes dryers. The kit should contain:

- A UL Listed 30 amp power supply cord, rated 120/240 volt minimum. The cord should be type SRD or SRDT and be at least 4 ft. (1.22 m) long. The wires that connect to the dryer must end in ring terminals or spade terminals with upturned ends.
- A UL Listed strain relief.


Optional Equipment (not supplied with dryer):

Refer to your Use and Care Guide for information about accessories available for your dryer.

LOCATION REQUIREMENTS

Check code requirements. Some codes limit, or do not permit, installing dryer in garages, closets, mobile homes, or sleeping quarters. Contact your local building inspector.

⚠ WARNING



Explosion Hazard

Keep flammable materials and vapors, such as gasoline, away from dryer.

Place dryer at least 18 inches (460 mm) above the floor for a garage installation.

Failure to do so can result in death, explosion, or fire.

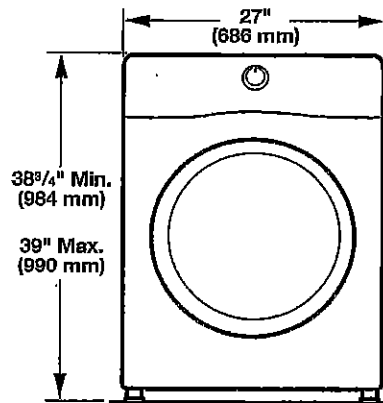
You will need:

- A location allowing for proper exhaust installation. See "Venting Requirements."
- A separate 15 or 20 amp circuit for a gas dryer or 30 amp circuit for an electric dryer.
- If using power supply cord, a grounded electrical outlet located within 2 ft. (610 mm) of either side of dryer. See "Electrical Requirements."
- Floor must support dryer weight of 200 lbs. (90.7 kg). Also consider weight of companion appliance.
- Cold water faucets located within 4 ft. (1.2 m) of the water fill valves, and water pressure of 20-120 psi (138-827 kPa). You may use your washer's water supply by purchasing the necessary parts noted in "Parts needed."
- Level floor with maximum slope of 1" (25 mm) under entire dryer. If slope is greater than 1" (25 mm), install Extended Dryer Feet Kit, Part Number 279810. If not level, clothes may not tumble properly and automatic sensor cycles may not operate correctly.
- For garage installation, place dryer at least 18" (460 mm) above floor. If using a pedestal, you will need 18" (460 mm) to bottom of dryer.
- The dryer must not be installed or stored in an area where it will be exposed to water and/or weather.

IMPORTANT: Do not operate, install, or store dryer where it will be exposed to water, weather, or at temperatures below 40°F (4°C). Lower temperatures may cause dryer not to shut off at end of automatic sensor cycles, resulting in longer drying times.

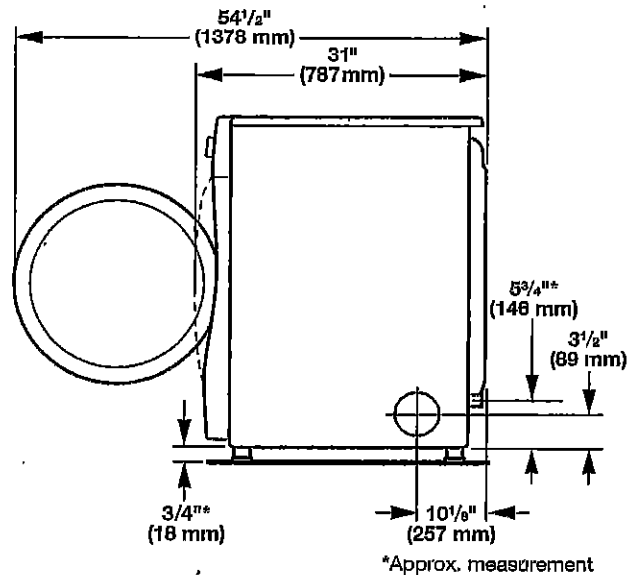
DRYER DIMENSIONS

Front view:

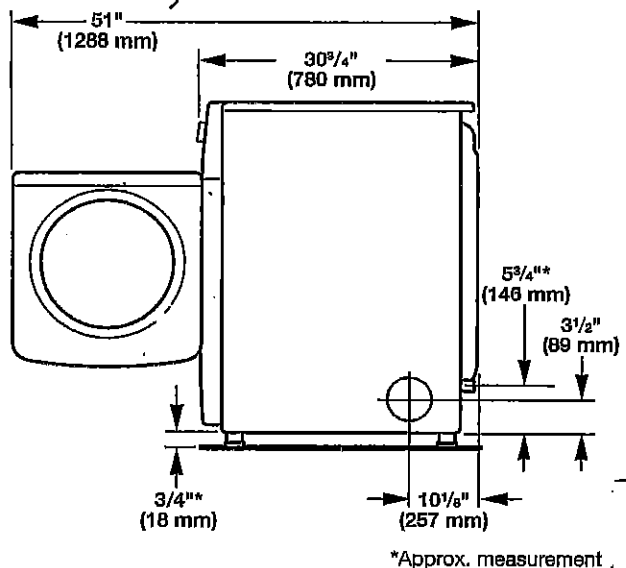


Side view:

Whirlpool Models ✓



Maytag Models ✗



Handwritten signature