



Interior Finishing Selection Sheet

20-Jul-21

LOT 00529

20-2337-ALELEV B THE SPRUCEWOOD

PURCHASERS: MOHAMED RUSHDI RAUF

CONTACT NO: 647-302-2144

VENDOR: HEATHWOOD HOMES (WHITBY) LIMITED - PHASE 4

UPG

Appliances

6-8894 Kitchen HoodFan

CYCLONE 30" CANOPY CHIMNEY HOODFAN (Standard for Singles Only) STAINLESS STEEL SCB51430 STD PAGE 26

Cabinetry

150-9166 Kitchen/Servery Cabinet Colour/Style

CHARLESTON ORCHID Viking III STD 3DL

152-2086 Kitchen/Servery Cabinet Hardware

HARDWARE 9677 STD

25-9166 Main Bathroom Cabinet Colour/Style

CHARLESTON ORCHID Viking III STD 3DL

29-7672 Main Bathroom Cabinet Hardware

HARDWARE 135 STD

28-8796 Main Bathroom Countertop

Countertop PALOMA POLAR ETCHINGS FINISH 6698-46 Formica

20-9166 Master Ensuite Cabinet Colour/Style

CHARLESTON ORCHID Viking III STD 3DL

22-7672 Master Ensuite Cabinet Hardware

HARDWARE 135 STD

21-8796 Master Ensuite Countertop

Countertop PALOMA POLAR ETCHINGS FINISH 6698-46 Formica

Carpet

37-9247 Bedroom 2 Flooring

Dynasty Tex 40 oz Poly SANDY BEIGE DY 16611 STD

38-9247 Bedroom 3 Flooring

Dynasty Tex 40 oz Poly SANDY BEIGE DY 16611 STD

111-9247 Bedroom 4 Flooring

Dynasty Tex 40 oz Poly SANDY BEIGE DY 16611 STD

36-9247 Master Bedroom Flooring

Dynasty Tex 40 oz Poly SANDY BEIGE DY 16611 STD

52-1079 Throughout Underpad

Underpad 500 Series STD

Ceramics

46-8913 Foyer Flooring

Biel Bianco (White) UN.BL.BIA.1224 UPG_2 12 X 24 SEE SKETCH # 5 PAGE 15 FOR 12 X 24 TILE DIRECTION

17-2225 Foyer Grout

Grout (27) Silver STD

4-5730 Kitchen Backsplash

Colour and Dimension Matte Arctic White

QT.CD.AR.W.0306MT UPG_1 3 x 6 INSTALL IN HERRINGBONE PATTERN

5-7704 Kitchen Backsplash Grout

Grout (19) Pearl Gray STD

- The Purchaser acknowledges these selections are subject to the terms and conditions of the applicable Agreement of Purchase and Sale.
- The Purchaser acknowledges that the Vendor accepts no responsibility in the event the Vendor is unable to supply a selection. The Purchaser agrees to reselect from the currently available selections immediately upon request.
- The Vendor reserves the right to substitute above materials and equipment with that of equal or better quality.
- Purchaser acknowledges that items may not be exactly as shown. Variations from the Vendor's samples may occur in finished materials due to normal production processes. Vendor is not responsible for shade difference which may occur from different dye lots or wood grains. Variations from the Vendor's samples will occur with natural materials such as wood, marble, granite, hardwood and brick.
- The Vendor reserves the right to select Grout & Thresholds that best suits the Tile selected.
- Selections will not be processed unless signed by Heathwood Homes Head Office.
- The colour selections made on the Colour Chart are final and cannot be changed once submitted.
- The Purchaser has checked and acknowledged the accuracy of this Colour Chart.

no/6.7/2021

[Signature]

7/20/21

TINA LEFUK

Date

Purchaser

Date APPROVED

Décor Consultant

Date

Purchaser

Date Approved

HEATHWOOD HOMES (WHITBY)

LIMITED - PHASE 4



20-Jul-21

Interior Finishing Selection Sheet

LOT 00529

20-2337-ALELEV B THE SPRUCEWOOD

PURCHASERS: MOHAMED RUSHDI RAUF

CONTACT NO: 647-302-2144

VENDOR: HEATHWOOD HOMES (WHITBY) LIMITED - PHASE 4

Ceramics

UPG

- 66-9257 Laundry Room Flooring CARRARA White / Grey GE.CR.WHIT.1313.MT STD 13 x 13
- 67-2225 Laundry Room Grout Grout (27) Silver STD
- 30-9257 Main Bathroom Flooring CARRARA White / Grey GE.CR.WHIT.1313.MT STD 13 x 13
- 31-2225 Main Bathroom Grout Grout (27) Silver STD
- 112-9020 Main Bathroom Tub Wall Tile Weave White QT.WV.WHT.0810 STD 8 x 10 INSTALL STAKED HORIZONTALLY
- 113-2226 Main Bathroom Tub Wall Tile Grout Grout (00) White STD
- 23-8913 Master Ensuite Floor Tile Biel Bianco (White) UN.BL.BIA.1224 UPG_2 12 x 24 SEE SKETCH # 7 PAGE 17 FOR 12 X 24 TILE DIRECTION
- 24-2225 Master Ensuite Floor Tile Grout Grout (27) Silver STD
- 73-8661 Master Ensuite Shower Floor Tile Ontario Series Mosaic Snow White Matte OD.ON.SWT.0202.MT.N STD 2 x 2
- 74-2226 Master Ensuite Shower Floor Tile Grout Grout (00) White STD
- 147-8923 Master Ensuite Shower Jamb(s) and Sill(s) Shower Jamb / Sill Thassos White STD
- 104-9020 Master Ensuite Shower Wall Tile Weave White QT.WV.WHT.0810 STD 8 x 10 INSTALL STAKED HORIZONTALLY
- 105-2226 Master Ensuite Shower Wall Tile Grout Grout (00) White STD
- 190-8913 Mud Room Flooring Biel Bianco (White) UN.BL.BIA.1224 UPG_2 12 x 24 SEE SKETCH # 5 PAGE 15 FOR 12 X 24 TILE DIRECTION
- 191-2225 Mud Room Grout Grout (27) Silver STD
- 32-8913 Powder Room Flooring Biel Bianco (White) UN.BL.BIA.1224 UPG_2 12 x 24 SEE SKETCH # 5 PAGE 15 FOR 12 X 24 TILE DIRECTION
- 33-2225 Powder Room Grout Grout (27) Silver STD
- 53-2232 Throughout Thresholds Metal Thresholds STD

Electrical

- 90-5796 Throughout Switches and Plug Decora White Switches and Plugs STD

1. The Purchaser acknowledges these selections are subject to the terms and conditions of the applicable Agreement of Purchase and Sale.
2. The Purchaser acknowledges that the Vendor accepts no responsibility in the event the Vendor is unable to supply a selection. The Purchaser agrees to reselect from the currently available selections immediately upon request.
3. The Vendor reserves the right to substitute above materials and equipment with that of equal or better quality.
4. Purchaser acknowledges that items may not be exactly as shown. Variations from the Vendor's samples may occur in finished materials due to normal production processes. Vendor is not responsible for shade difference which may occur from different dye lots or wood grains. Variations from the Vendor's samples will occur with natural materials such as wood, marble, granite, hardwood and brick.
5. The Vendor reserves the right to select Grout & Thresholds that best suits the Tile selected.
6. Selections will not be processed unless signed by Heathwood Homes Head Office.
7. The colour selections made on the Colour Chart are final and cannot be changed once submitted.
8. The Purchaser has checked and acknowledges the accuracy of this Colour Chart.

20/07/2021

Purchaser *[Signature]*

Date

Date **APPROVED**

TINA LEFUR

Décor Consultant *[Signature]*

Date Purchaser

Date Approved **HEATHWOOD HOMES (WHITBY) LIMITED - PHASE 4**



Interior Finishing Selection Sheet

20-Jul-21

LOT 00529

20-2337-AL ELEV B THE SPRUCEWOOD

PURCHASERS: MOHAMED RUSHDI RAUF

CONTACT NO: 647-302-2144

VENDOR: HEATHWOOD HOMES (WHITBY) LIMITED - PHASE 4

UPG

Fireplace

- 136-9114 Great Room Fireplace Mantle
- 138-8874 Great Room Fireplace Surround
- 135-5529 Great Room Fireplace Type

- Paint Grade Mantel- Cabinet (Per Plan) WHITE NF 15 STD
- 3 pc- 4" Marble Surround Grigio Carnico STD
- 36" Direct Vent Gas Fireplace

Granite

- 151-8613 Kitchen/Servery Countertop

- Quartz-Caesarstone WHITE ATTICA # 5143 Group 6 UPG 3/4" with Mitered Edge

Hardwood

- 99-8499 Dining Room Flooring
- 11-8499 Great Room Flooring
- 156-8499 Kitchen/Servery/Breakfast Flooring

- Vintage Red Oak Solid Sculpted Character UVF Oil PEWTER Red Oak UVF 3/4" x 5"
- Vintage Red Oak Solid Sculpted Character UVF Oil PEWTER Red Oak UVF 3/4" x 5"
- Vintage Red Oak Solid Sculpted Character UVF Oil PEWTER Red Oak UVF 3/4" x 5"
- Vintage Red Oak Solid Sculpted Character UVF Oil PEWTER Red Oak UVF 3/4" x 5"

- 98-8499 Main Hall Flooring

- 78-8499 Stair Landing to Lower Level Flooring
- 77-8499 Stair Landing to Upper Level Flooring

- Vintage Red Oak Solid Sculpted Character UVF Oil PEWTER Red Oak UVF 3/4" x 5"
- Vintage Red Oak Solid Sculpted Character UVF Oil PEWTER Red Oak UVF 3/4" x 5"

- 35-8499 Upper Hall Flooring

- Vintage Red Oak Solid Sculpted Character UVF Oil PEWTER Red Oak UVF 3/4" x 5"

Interior Railings

- 49-8148 Stairs to Lower Level Handrail/Pickets/Posts Type
- 43-8148 Stairs to Upper Level Handrail/Pickets/Posts Type

- Single Collar Alt. Plain w/ Shoes with 3 1/2" Square/Cap Post(s) BLACK METAL STD
- Single Collar Alt. Plain w/ Shoes with 3 1/2" Square/Cap Post(s) BLACK METAL STD

Interior Stairs

- 116-1713 Basement Stairs Type
- 45-1712 Stairs to Lower Level Type
- 39-1712 Stairs to Upper Level Type

- Paint Grade Stairs STD
- Oak Stairs UPG_1
- Oak Stairs UPG_1

Interior Trim

1. The Purchaser acknowledges these selections are subject to the terms and conditions of the applicable Agreement of Purchase and Sale.
2. The Purchaser acknowledges that the Vendor accepts no responsibility in the event the Vendor is unable to supply a selection. The Purchaser agrees to reselect from the currently available selections immediately upon request.
3. The Vendor reserves the right to substitute above materials and equipment with that of equal or better quality.
4. Purchaser acknowledges that items may not be exactly as shown. Variations from the Vendor's samples may occur in finished materials due to normal production processes. Vendor is not responsible for shade difference which may occur from different dye lots or wood grains. Variations from the Vendor's samples will occur with natural materials such as wood, marble, granite, hardwood and brick.
5. The Vendor reserves the right to select Grout & Thresholds that best suits the Tile selected.
6. Selections will not be processed unless signed by Heathwood Homes Head Office.
7. The colour selections made on the Colour Chart are final and cannot be changed once submitted.
8. The Purchaser has checked and acknowledges the accuracy of this Colour Chart.

20/07/2021
 Date
 Purchaser

[Signature]
 APPROVED
 Date
 20/07/2021
 Décor Consultant
[Signature]

TINA LEFUR
 Décor Consultant
[Signature]

Date Purchaser

Date Approved HEATHWOOD HOMES (WHITBY) LIMITED - PHASE 4



Interior Finishing Selection Sheet

20-Jul-21

LOT 00529

20-2337-ALEEV B THE SPRUCEWOOD

PURCHASERS: MOHAMED RUSHDI RAUF

CONTACT NO: 647-302-2144

VENDOR: HEATHWOOD HOMES (WHITBY) LIMITED - PHASE 4

UPG

Interior Trim

91-8704 Throughout Trim Size

5 1/4" Baseboards and 3" Integrated Backband Casings STD-Singles

Painting

46-7761 Stairs to Lower Level Colour

Stain handrail, stringers, treads, risers, nosing & posts. (Metal pickets) STAIRS TO BE STAINED TO COMPLIMENT PEWTER HARDWOOD. STAIRS WILL VARY FROM FLOORS

40-7761 Stairs to Upper Level Colour

Stain handrail, stringers, treads, risers, nosing & posts. (Metal pickets) STAIRS TO BE STAINED TO COMPLIMENT PEWTER HARDWOOD. STAIRS WILL VARY FROM FLOORS

240-1716 Throughout Trim - Paint Colour

Trim WHITE STD

51-1717 Throughout Walls - Paint Colour

Wall WARM GREY 22 STD

Plumbing

266-1737 Main Bathroom Plumbing Fixture (Colour)

Plumbing Fixtures WHITE STD

149-1737 Master Ensuite Plumbing Fixture (colour)

Plumbing Fixtures WHITE STD

34-1737 Powder Room Plumbing Fixture (Colour)

Plumbing Fixtures WHITE STD

1. The Purchaser acknowledges these selections are subject to the terms and conditions of the applicable Agreement of Purchase and Sale.
2. The Purchaser acknowledges that the Vendor accepts no responsibility in the event the Vendor is unable to supply a selection. The Purchaser agrees to reselect from the currently available selections immediately upon request.
3. The Vendor reserves the right to substitute above materials and equipment with that of equal or better quality.
4. Purchaser acknowledges that items may not be exactly as shown. Variations from the Vendor's samples may occur in finished materials due to normal production processes. Vendor is not responsible for shade difference which may occur from different dye lots or wood grains. Variations from the Vendor's samples will occur with natural materials such as wood, marble, granite, hardwood and brick. The Vendor reserves the right to select Grout & Thresholds that best suits the Tile selected.
5. The Vendor reserves the right to select Grout & Thresholds that best suits the Tile selected.
6. Selections will not be processed unless signed by Heathwood Homes Head Office.
7. The colour selections made on the Colour Chart are final and cannot be changed once submitted.
8. The Purchaser has checked and acknowledges the accuracy of this Colour Chart.

20/07/2021

Date

Purchaser

7/20/21

Date

Décor Consultant

Date

Purchaser

HEATHWOOD HOMES (WHITBY) LIMITED - PHASE 4



Sales Selection Sheet

20-Jul-21

LOT 00529

20-2337-A-ELEV B THE SPRUCEWOOD

PURCHASERS: MOHAMED RUSHDI RAUF

CONTACT NO: 647-302-2144

VENDOR: HEATHWOOD HOMES (WHITBY) LIMITED - PHASE 4

HST #

It is herein understood and agreed between the undersigned parties hereto that the following changes shall be made to the above mentioned Agreement of Purchase and Sale in accordance with the agreement and except for such changes noted below, all other terms and conditions in the Agreement of Purchase and Sale shall remain as stated herein: It is further understood that and agreed that all changes and additions shall be installed as per builder's specifications, location and available selections. The Purchaser hereby agrees to purchase the following extras:

AMOUNT:

Cabinetry

1296 **Optional Extras** Qty: 1
 19B- 45cm wide pull-out door base cabinet waste/recycle centre with soft-close ([2] 35L bins) (available only with 45cm wide cabinet) Viking
 SEE SKETCH # 6 PAGE 16 FOR LOCATION

1377 **Optional Extras** Qty: 1
 Combo: 12B+10B- Pots and pans drawers (width min. 60cm/max. 90cm) (size subject to floor plan) with upgraded drawers from Metabox to Tandembox Viking (on a Classic Series Kitchen)
 SEE SKETCH # 6 PAGE 16 FOR LOCATION

1364 **Optional Extras** Qty: 3
 12J- Additional Light Valance trim (only) per piece

1319 **Optional Extras** Qty: 2
 04D- Increase vanity to kitchen height greater than 3' (90cm high, maintains vanity depth) Viking
 SKETCH # 8 PAGE 18

Ceramics

1869 Upgrade 2 Tile Qty: 1
 SEE SKETCH # 5 PAGE 15 FOR 12 X 24 TILE DIRECTION

1876 **Kit. Basplash** Qty: 1
 Install in Specified Pattern
 INSTALL IN HERRINGBONE PATTERN

- This Sales Selection Sheet when properly executed forms part of our Agreement of Purchase and Sale.
- All extras and upgrades listed above are subject to Construction Progress and Architectural and Municipal requirements.
- In the event the Vendor is unable to incorporate the work approved above in the construction of the house for any reason whatsoever, the Vendor will not be liable to the Purchaser in any way. The monies paid for any changes or optional extras not proceeded with shall be returned to the Purchaser, without interest. The cost of options or extras is non-refundable in all other circumstances. If for any reason whatsoever the Agreement of Purchase and Sale is not completed, the total cost of work approved above will be retained by the Vendor.
- The Vendor reserves the right to substitute above materials and equipment with that of equal or better quality.
- The Purchaser acknowledges that items may not be exactly as shown. Variations from the Vendor's samples may occur in finished materials due to normal production processes. Vendor is not responsible for shade difference which may occur from different dye lots or wood grains. Variations from the Vendor's samples will occur with natural materials such as wood, marble, granite, hardwood and brick.
- The Vendor reserves the right to select Grout & Thresholds that best suits the Tile selected.
- Selections will not be processed unless signed by Heathwood Homes Head Office.
- The selections made on this schedule are final, and cannot be changed once submitted.
- The Purchaser has checked and acknowledges the accuracy of this schedule.

26/07/2021 Tina Lefur
 Date Purchaser
 27/07/2021 M. Rosen
 Date Purchaser
 Date APPROVED: Décor Consultant

---Date-Approved---HEATHWOOD HOMES (WHITBY) LIMITED - PHASE 4



20-Jul-21

Sales Selection Sheet
2 of 2

LOT 00529

20-2337-AL ELEV B THE SPRUCEWOOD

PURCHASERS: MOHAMED RUSHDI RAUF

CONTACT NO: 647-302-2144

VENDOR:

HEATHWOOD HOMES (WHITBY) LIMITED - PHASE 4

HST #

It is herein understood and agreed between the undersigned parties hereto that the following changes shall be made to the above mentioned Agreement of Purchase and Sale in accordance with the agreement and except for such changes noted below, all other terms and conditions in the Agreement of Purchase and Sale shall remain as stated herein: It is further understood that and agreed that all changes and additions shall be installed as per builder's specifications, location and available selections. The Purchaser hereby agrees to purchase the following extras:

							AMOUNT
1876	Upgrade Grout					Kit. Basplash	Qty: 1
1874	Upgrade 2 Tile SEE SKETCH # 7 DIRECTION	PAGE 17				Master Bath Floor FOR 12 X 24 TILE	Qty: 1
1871	Upgrade 2 Tile SEE SKETCH # 5 DIRECTION	PAGE 15				Mud Room Floor FOR 12 X 24 TILE	Qty: 1
1870	Upgrade 2 Tile SEE SKETCH # 5 DIRECTION	PAGE 15				Powder Floor FOR 12 X 24 TILE	Qty: 1
81	Fireplace						Qty: 1
Purchasers have been advised: heat from the FP can damage TV above a FP and items placed on mantle. Purchasers acknowledge: Heathwood Homes and its contractors will not be liable for any damage on items placed/installed above a FP after closing							
	Granite						
853	Optional Upgrade Countertop 3/4" GROUP 6 with double edge					Kitchen/Servery	Qty: 1
	Hardwood						

- This Sales Selection Sheet when properly executed forms part of our Agreement of Purchase and Sale.
- All extras and upgrades listed above are subject to Construction Progress and Architectural and Municipal requirements.
- In the event the Vendor is unable to incorporate the work approved above in the construction of the house for any reason whatsoever, the Vendor will not be liable to the Purchaser in any way. The monies paid for any changes or optional extras not proceeded with shall be returned to the Purchaser, without interest. The cost of options or extras is non-refundable in all other circumstances. If for any reason whatsoever the Agreement of Purchase and Sale is not completed, the total cost of work approved above will be retained by the Vendor.
- The Vendor reserves the right to substitute above materials and equipment with that of equal or better quality.
- Purchaser acknowledges that items may not be exactly as shown. Variations from the Vendor's samples may occur in finished materials due to normal production processes. Vendor is not responsible for shade difference which may occur from different dye lots or wood grains. Variations from the Vendor's samples will occur with natural materials such as wood, marble, granite, hardwood and brick.
- The Vendor reserves the right to select Grout & Thresholds that best suits the Tile selected.
- Selections will not be processed unless signed by Heathwood Homes Head Office.
- The selections made on this schedule are final and cannot be changed once submitted.
- The Purchaser has checked and acknowledges the accuracy of this schedule.

20/07/2021 Purchaser

Date **APPROVED** Décor Consultant

TINA LEFUR

MPR

Date Approved: HEATHWOOD HOMES (WHITBY) LIMITED - PHASE 4



20-Jul-21

Sales Selection Sheet

3 of

LOT 00529

20-2337-ALELEV B. THE SPRUCEWOOD

PURCHASERS: MOHAMED RUSHDI RAUF

CONTACT NO: 647-302-2144

VENDOR: HEATHWOOD HOMES (WHITBY) LIMITED - PHASE 4

HST #

It is herein understood and agreed between the undersigned parties hereto that the following changes shall be made to the above mentioned Agreement of Purchase and Sale in accordance with the agreement and except for such changes noted below, all other terms and conditions in the Agreement of Purchase and Sale shall remain as stated herein: It is further understood that and agreed that all changes and additions shall be installed as per builder's specifications, location and available selections. The Purchaser hereby agrees to purchase the following extras:

AMOUNT:

1125	Vintage	KIT / BREAK	Qty: 1
	5" RED OAK SCULPTED NSS UV-Oil or Pearl		

Plumbing

312	Kitchen Sink Upgrade	KITCHEN	Qty: 1
	Blanco Kitchen Sink PRECIS U 2 (29-3/4" x 18") Undermount 2 Bowl Equal Size Bowl		
	8" Deep COLOUR: ANTHRACITE Model#400580	PAGE 20	

- This Sales Selection Sheet when properly executed forms part of our Agreement of Purchase and Sale.
- All extras and upgrades listed above are subject to Construction Progress and Architectural and Municipal requirements.
- In the event the Vendor is unable to incorporate the work approved above in the construction of the house for any reason whatsoever, the Vendor will not be liable to the Purchaser in any way. The monies paid for any changes or optional extras not proceeded with shall be returned to the Purchaser, without interest. The cost of options or extras is non-refundable in all other circumstances. If for any reason whatsoever the Agreement of Purchase and Sale is not completed, the total cost of work approved above will be retained by the Vendor.
- The Vendor reserves the right to substitute above materials and equipment with that of equal or better quality.
- The Purchaser acknowledges that items may not be exactly as shown. Variations from the Vendor's samples may occur in finished materials due to normal production processes. Vendor is not responsible for shade difference which may occur from different dye lots or wood grains. Variations from the Vendor's samples will occur with natural materials such as wood, marble, granite, hardwood and brick.
- The Vendor reserves the right to select Grout & Thresholds that best suits the Tile selected.
- Selections will not be processed unless signed by Heathwood Homes Head Office.
- The selections made on this schedule are final and cannot be changed once submitted.
- The Purchaser has checked and acknowledges the accuracy of this schedule.

20/07/2021 *[Signature]* Purchaser

7/20/2021 *[Signature]* Tina Lefur

Date **APPROVED** Décor Consultant

[Signature] *[Signature]*

Date Purchaser

Date Approved HEATHWOOD HOMES (WHITBY) LIMITED - PHASE 4

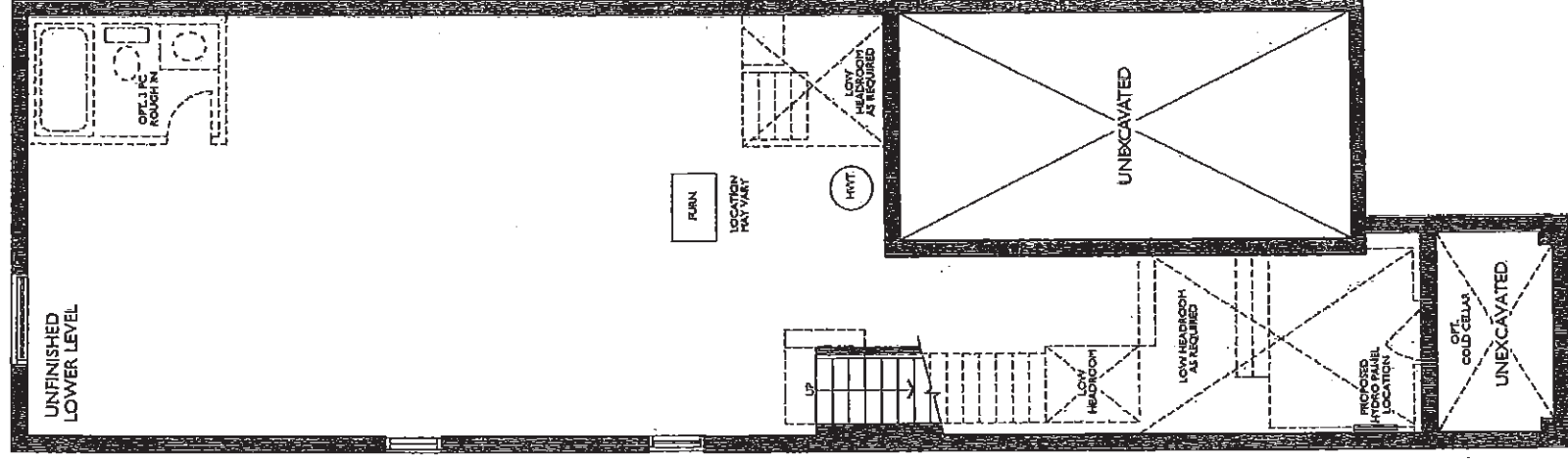
C2 COUNTRY LANE
LOT 529
20-2337 AL ELEV B
THE SPRUCEWOOD

14 of 42
The Sprucewood

20-2337 ALT ELEV. B

ELEVATION B: 3,053 SQUARE FEET
{ Includes 690 square feet of finished Lower Level }

Sketch # 4



UNFINISHED LOWER LEVEL
ELEV. A & B

PR

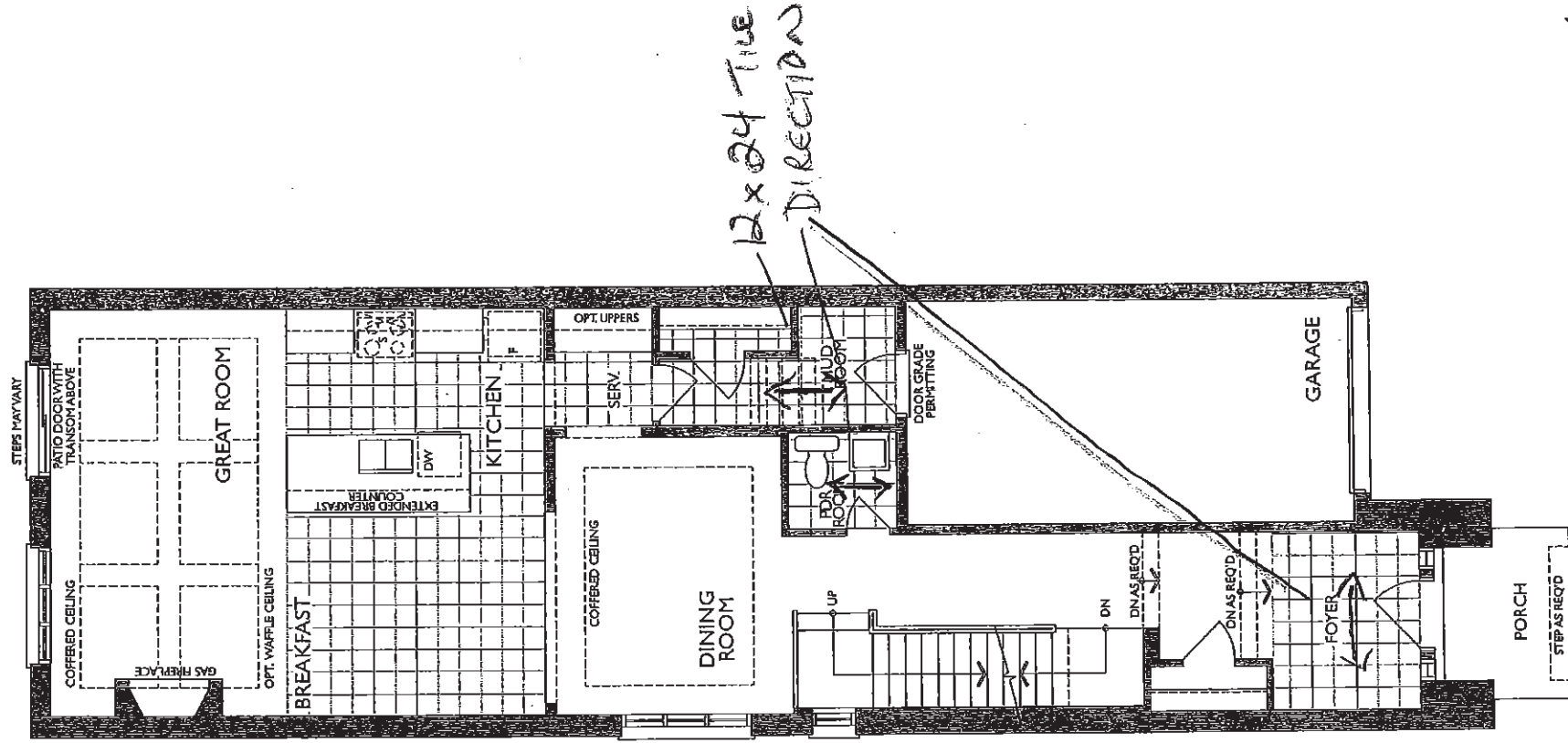
C2 COUNTRY LANE
LOT 529
20-2337AL ELEV B
THE SPRUCEWOOD

15 of 42
The Sprucewood

20-2337 ALT ELEV. B

ELEVATION B: 3,053 SQUARE FEET
{ Includes 690 square feet of finished Lower Level }

Sketch #5



GROUND FLOOR
ELEV. B

Handwritten signature



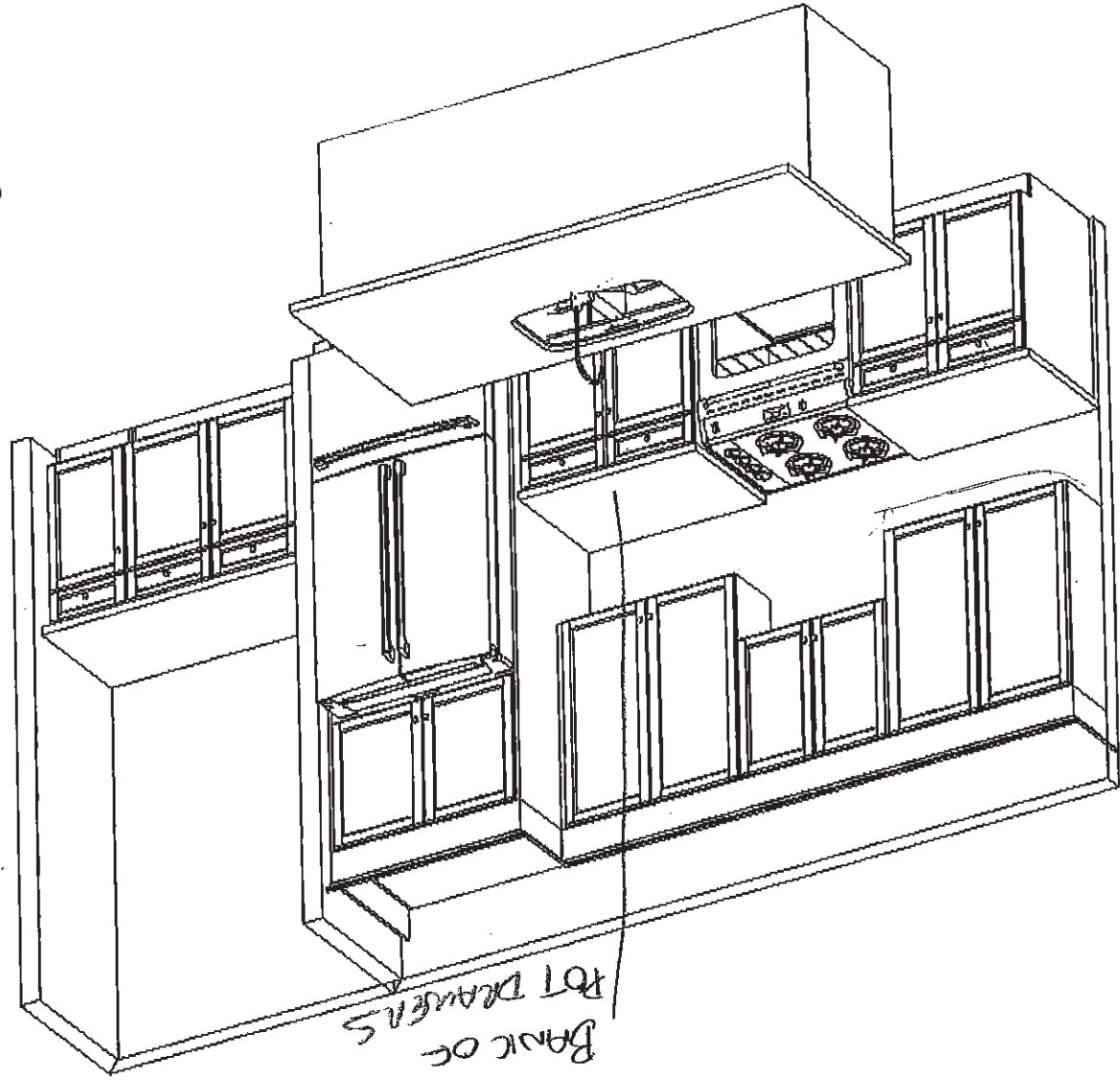
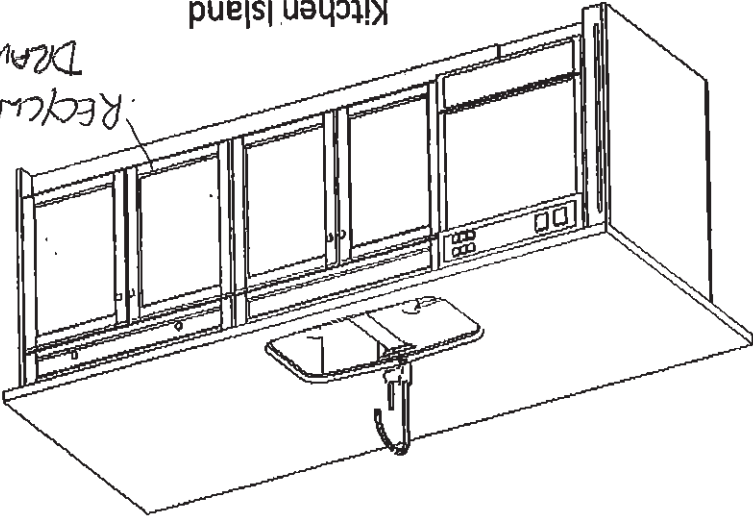
C2 COUNTRY LANE
LOT 529
20-2337AL ELEV B
THE SPRUCEWOOD

Heathw
Country
The C
20-2337 /
Standard I

- Tandem
- Drawers
- Blumotto
- Crown M
- Top Dray
- Deep Fit
- W/Deep
- Tall upper

CRS
K
J

Sketch #6



22

Drawn By: Sepideh
Date: May 23, 2019
Revision:
Scale: Not To Scale
Approved By Builder:
Date:

16512

C2 COUNTRY LANE
LOT 529
20-2337AL ELEV B
THE SPRUCEWOOD

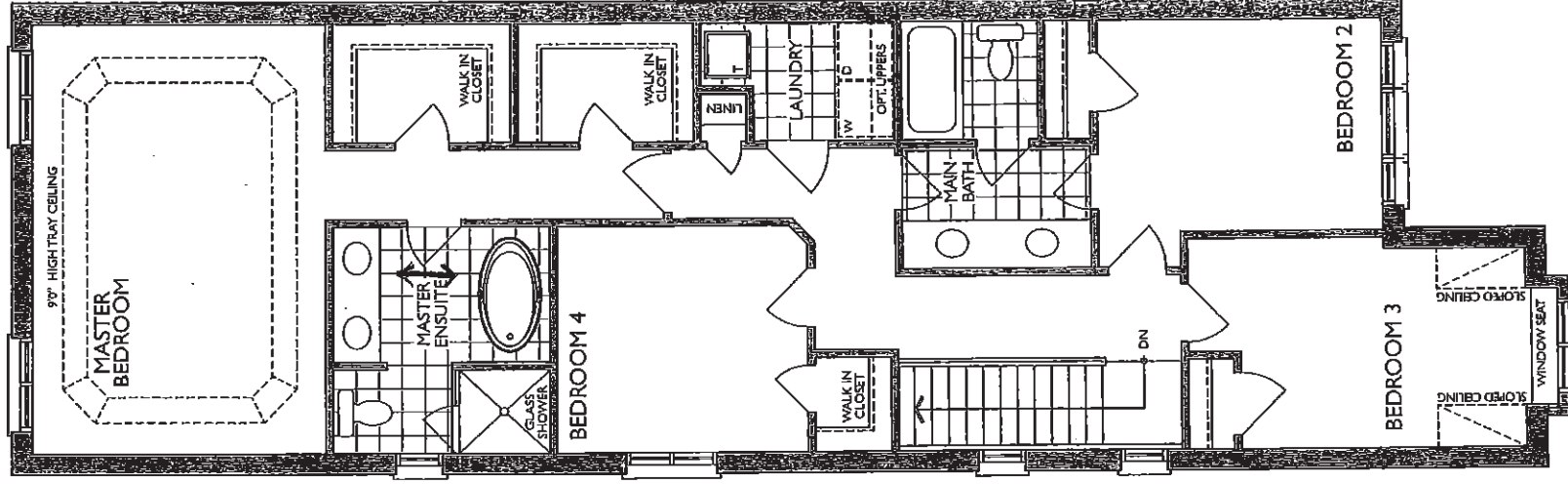
17 of 42
The Sprucewood

20-2337 ALT ELEV. B

ELEVATION B: 3,053 SQUARE FEET
{ Includes 690 square feet of finished Lower Level }

Sketch # 7

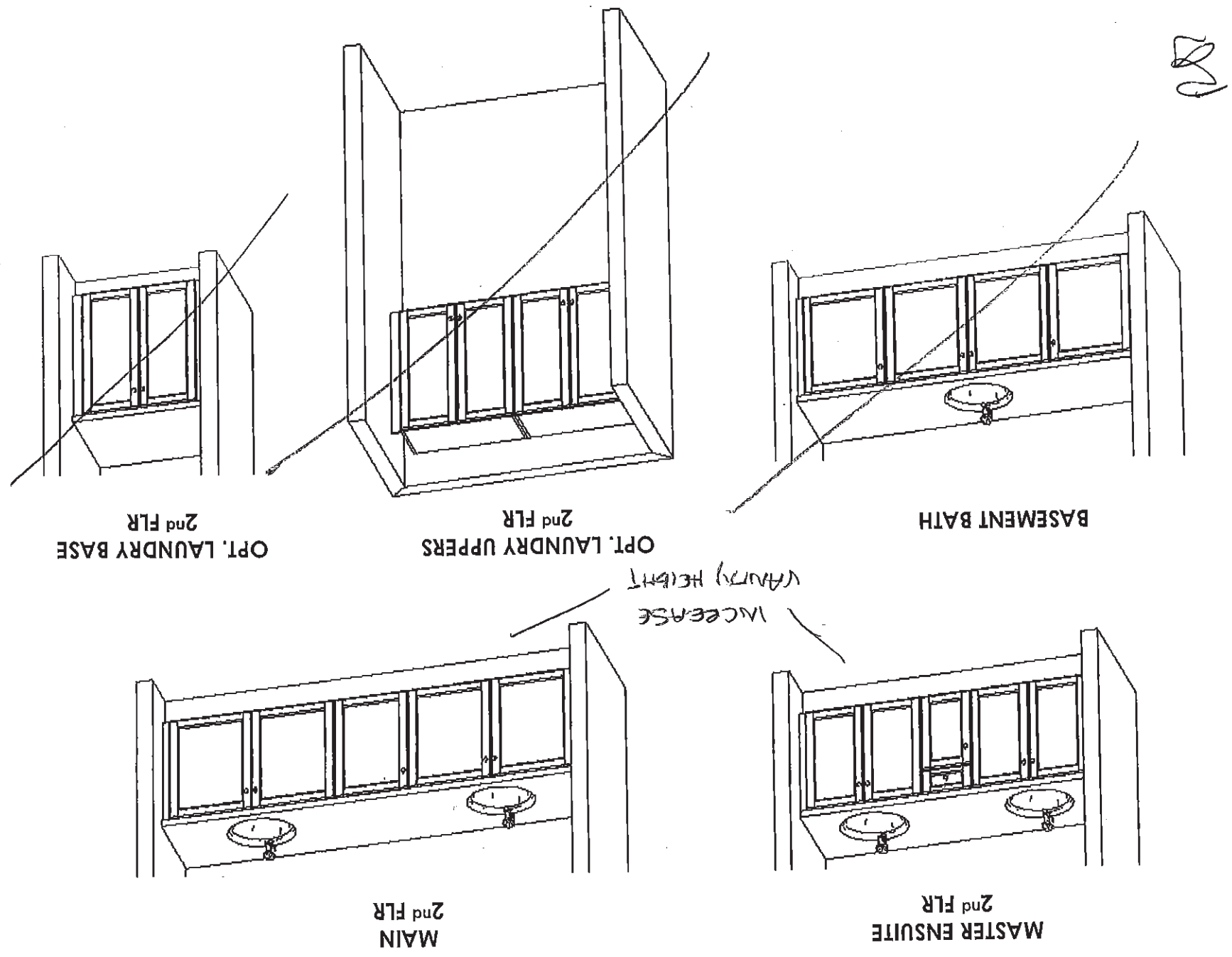
12 x 24
TILE DIRECTION



SECOND FLOOR
ELEV. B

RL

Vanities & Laundry - The Classic Series



Sketch #8

18042

Drawn By: Sepideh B.
Date: May 23, 2019
Revision:
Scale: Not To Scale

Approved By Builder:

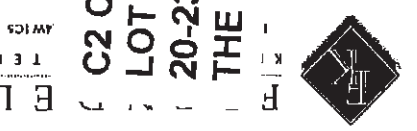
Date:

Health Count

20-2337 The Standard

- Blum A
- Blum C
- Top dr
- Ensuite

C2 COUNTRY LANE
LOT 529
20-2337AL ELEV B
THE SPRUCEWOOD



This sketch is for DESIGN PURPOSES ONLY - It is not meant to be an exact condition

C2 COUNTRY LANE
LOT 529
20-2337AL ELEV B
THE SPRUCEWOOD

19 of 42



'CABINET'

NEAS NF15 Mantel

RK

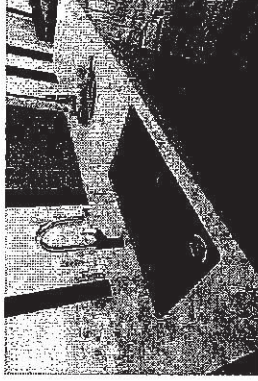
**C2 COUNTRY LANE
LOT 529
20-2337 AL ELEV B
THE SPRUCEWOOD**

20 of 42

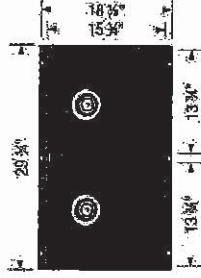
Product Specification Sheet

PRECIS U 2

SILGRANIT®



PRODUCT DIMENSIONS



PRECIS U 2	Colour Finish	Model No.
	White	401705
	Truffle	401179
	Metallic Gray	401681
	Concrete Gray	402265
	Cinder	401415
	Café	400581
	Biscuit	401818
	Anthracite	400580

FEATURES / SPECIFICATIONS

- Made In Canada
- Double bowl configuration allows for easy multi-tasking in busy kitchens
- Available in a range of non-fading colours
- SILGRANIT is a high-quality granite composite, made of up to 80% natural granite
- Heat, scratch and impact resistant
- PRECIS kitchen sinks have a non-porous surface making them stain resistant and anti-bacterial
- Easy to clean without the use of harsh chemicals

DESIGN AND PLANNING TIPS

Cabinet Size: 33" (840 mm)

Bowl depth: 8" (205 mm) / 8" (205 mm)

Depending on cabinet construction, a different cabinet size may be required. Consult the cabinet manufacturer.

WARRANTY

Limited Lifetime warranty

Code/Standards Compliance

BLANCO sinks and faucets are third-party tested and certified to CSA, cUPC, ANSI/ASME and NSF standards and listed by applicable certification bodies. For more information on individual product listings, contact our office or listing organization.

BLANCO CANADA
100 Corporation Drive
Brampton, ON L6S 6B5
Tel: 905 494 2400
Fax: 905 494 2425
www.blancocanada.com

Toll Free: 1 877 425 2626
Toll Free: 1 877 825 2626

© 2016 BLANCO CANADA

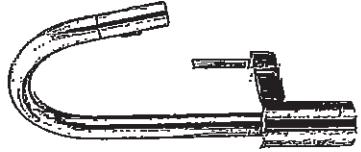
C2 COUNTRY LANE
LOT 529
20-2337AL ELEV B
THE SPRUCEWOOD

21 of 42

STANDARD KITCHEN FAUCET

Align

Modern



Single Handle Pull-Down Kitchen
Faucet*

Model 7565T

PK

C2 COUNTRY LANE
LOT 529
20-2337AL ELEV B
THE SPRUCEWOOD

22 of 42

*American
Standard*

**BOULEVARD®
PEDESTAL SINK**
VITREOUS CHINA

BOULEVARD® PEDESTAL SINK

- 0641.800 Faucet holes on 8" (203mm) centers (Illustrated)
- * 0641.400 Faucet holes on 4" (102mm) centers
- 0641.100 Center hole only
 - Classic styled rectangular pedestal lavatory
 - Vitreous china
 - Rear overflow
 - Supplied with mounting kit
 - Right Height® for greater comfort during use
 - Faucet ledge with large deck area (faucet not included)
 - Design coordinates with Boulevard® Toilet
 - Basin has flat bottom to also allow use as an above counter sink or a drop-in sink (with u-shaped cut out)

Nominal Dimensions:

24" x 19" x 35-1/2"
(610 x 483 x 902mm)

- 0641.008 Pedestal top-8" (203mm) centers
- 0641.004 Pedestal top-4" (102mm) centers
- 0641.001 Pedestal top-center hole only
- 0010.000 Pedestal only

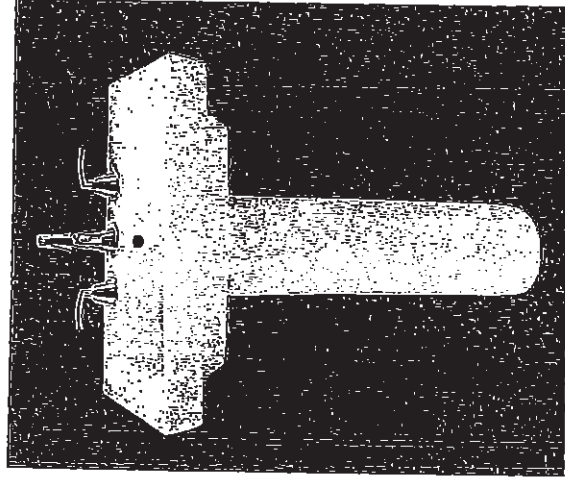
Bowl sizes:

17" (432mm) wide,
12-1/2" (318mm) front to back,
5" (127mm) deep

Compliance Certifications -

Meets or Exceeds the Following Specifications:

- ASME A112.19.2 - 2008/CSA B45.1-08



SEE REVERSE FOR ROUGHING-IN DIMENSIONS

<p>To Be Specified:</p> <p><input type="checkbox"/> Color: <input type="checkbox"/> White <input type="checkbox"/> Linen</p> <p><input type="checkbox"/> Faucet Finish:</p> <p><input type="checkbox"/> Supplies:</p> <p><input type="checkbox"/> 1-1/4" Trap:</p> <p><input type="checkbox"/> Nipple:</p>

* See faucet section for additional models available

22

OK

C2 COUNTRY LANE
 LOT 529
 20-2337AL ELEV B
 THE SPRUCEWOOD

CULINARY COUNTERTOP SINK

- Vitreous china
 - Self-rimming
 - Front overflow
 - Supplied with template
 - Faucet deck
- (Faucet shown not included)

- 0346 803
Faucet holes on 203mm (8") centres
- 0346 403 (Illustrated)
Faucet holes on 102mm (4") centres
- 0346 001
Centre hole only

Nominal Dimensions:
 521 x 448mm (20-1/2" x 17-5/8")

Bowl sizes:
 422mm (16-5/8") wide, 279mm (11") front to
 back, 143mm (5-5/8") deep

COMPLIANCE CERTIFICATIONS –
 Meets or exceeds the following Specifications:
 • ASME A112.19.2M for Vitreous China Fixtures.
 • CAN/CSA B45 Series.

To Be Specified

- Colour: White Bone Silver Gray
- Linen
- Faucet*:
- Faucet Finish:
- Supplies & Stops:
- Trap 1-1/4" (32 mm):

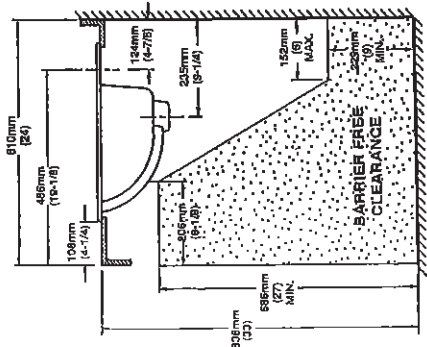
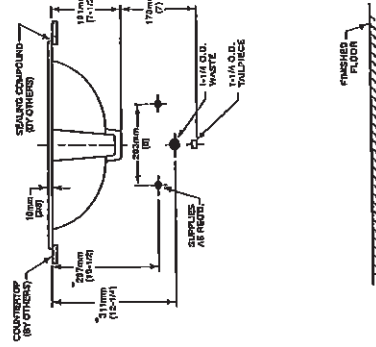
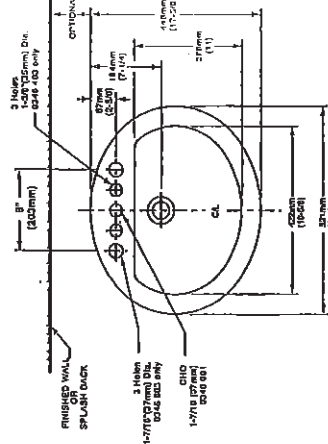
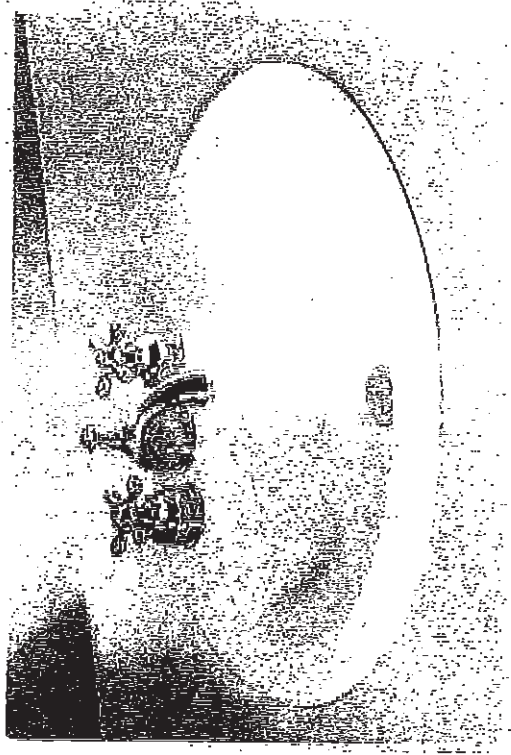
* See faucet section for additional models available

BAS-198

© 2000 American Standard Inc.

01/07

23 of **COLONY™**
 COUNTERTOP SINK
 VITREOUS CHINA



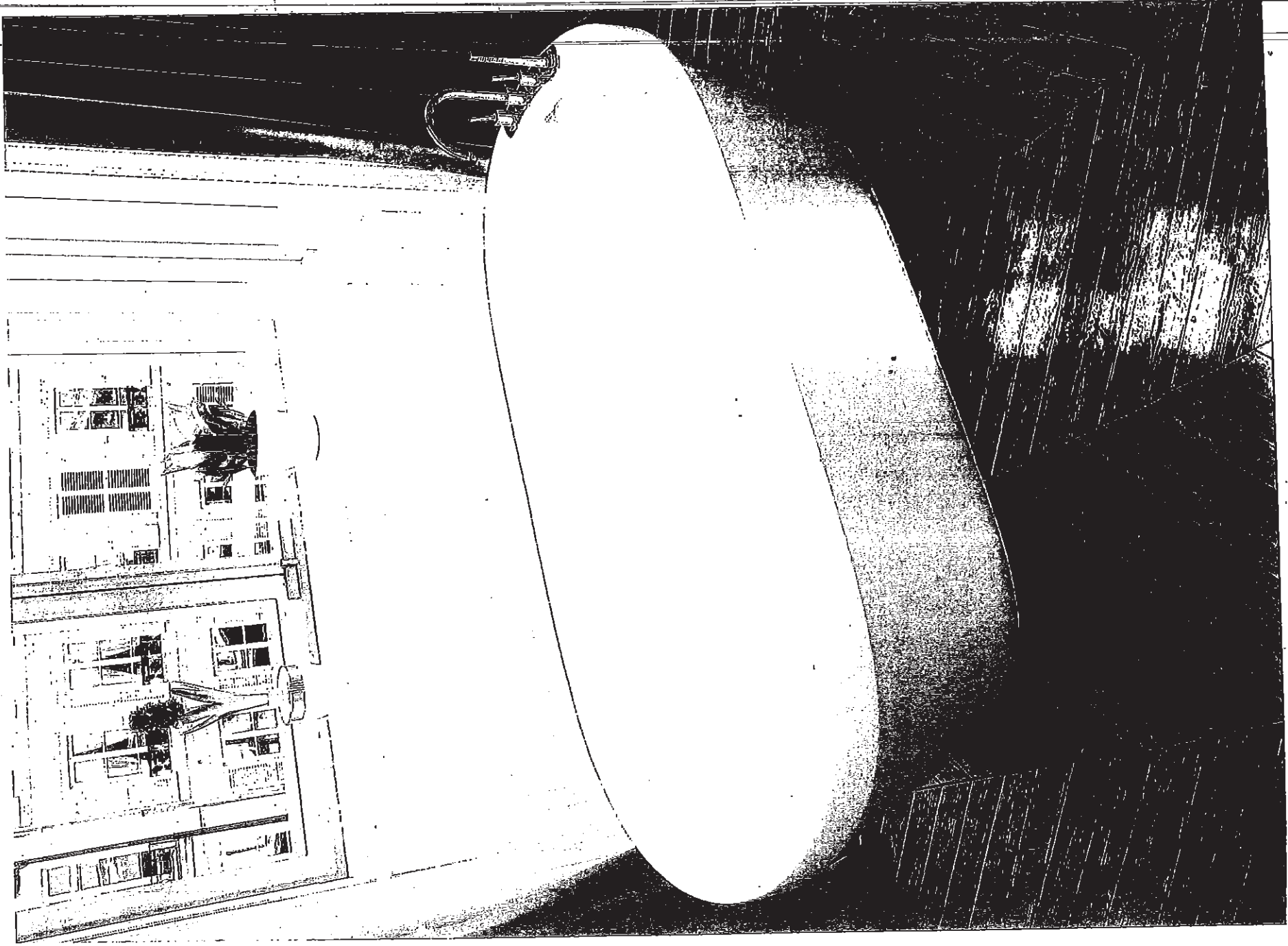
NOTES:
 * DIMENSIONS SHOWN FOR LOCATION OF SUPPLIES AND "P" TRAP ARE SUGGESTED.
 FOR COUNTERTOP CUTOUT AND INSTALLATION INSTRUCTIONS USE TEMPLATE
 SUPPLIED WITH SINK.
 FAUCETS NOT INCLUDED AND MUST BE ORDERED SEPARATELY.
 IMPORTANT: Dimensions of fixtures are nominal and may vary within the range of tolerances
 established by ANSI Standard A112.19.2.
 These measurements are subject to change or cancellation. No responsibility is assumed for use
 of superseded or voided pages.



PK

C2 COUNTRY LANE
LOT 529
20-2337AL ELEV B
THE SPRUCEWOOD

24 of 42



Danni CF2007

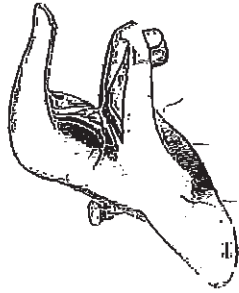
PK

C2 COUNTRY LANE
LOT 529
20-2337AL ELEV B
THE SPRUCEWOOD

25 of 42

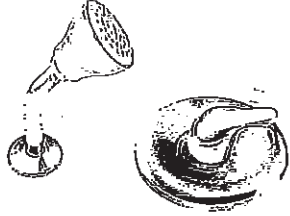
Chateau

Transitional



Lavatory Faucet with Pop-Up Drain
Model L4621T

VANITY SINKS AND PEDESTAL

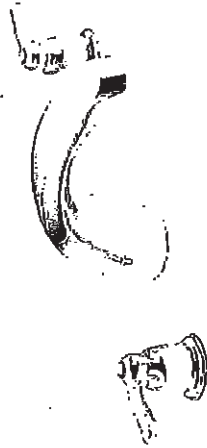


Posi-Temp® Pressure Balancing Tub/Shower
Model 62320 / TL183T

OR

Posi-Temp Valve and Tub/Shower Trim
with Eco-Performance Easy Clean® XL

Model 62320 / TL183EP+
(TL183EP not available in BC)



2 Handle Roman Tub with 9" Spout
Model 4796 / T990T

FREESTANDING TUB FAUCETS

SHOWER AND 5' TUB FAUCETS

24

C2 COUNTRY LANE
 LOT 529
 20-2337AL ELEV B
 THE SPRUCEWOOD

260172

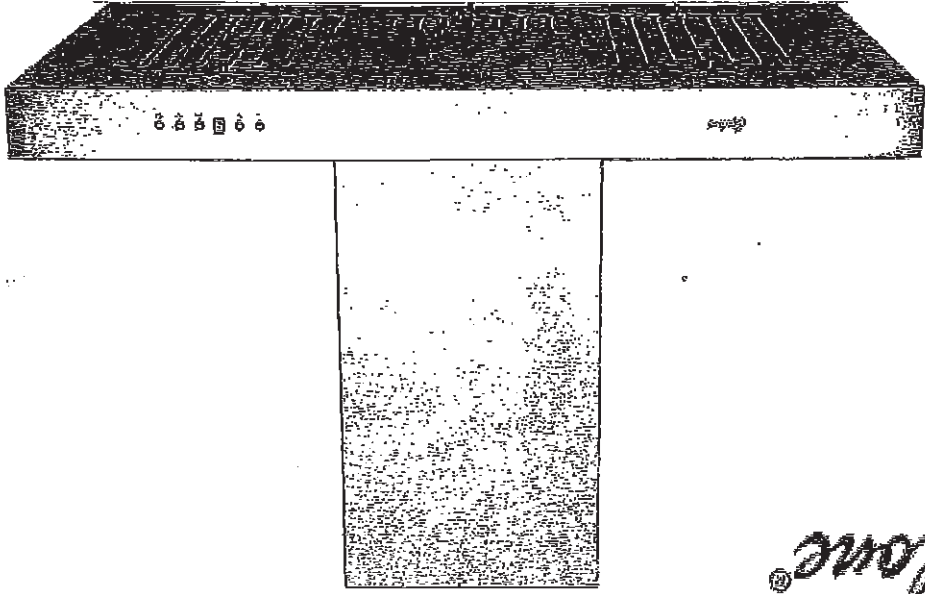
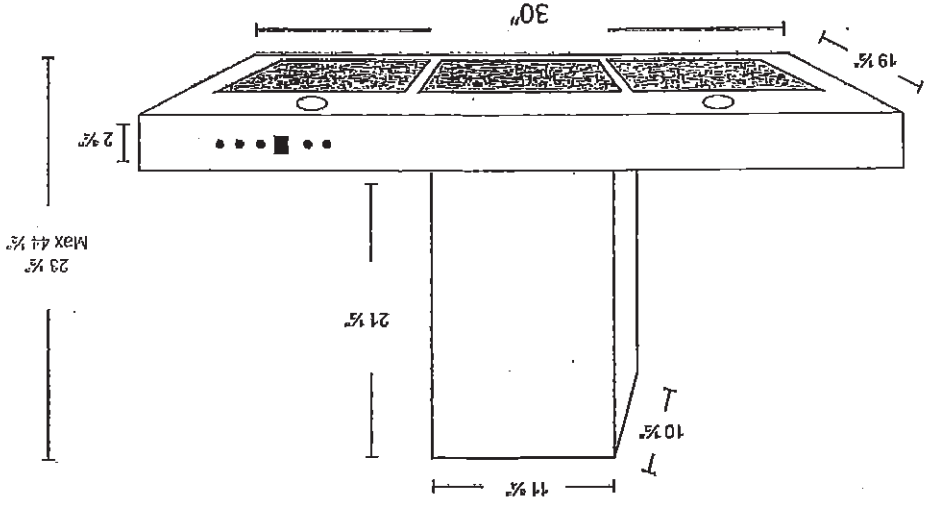
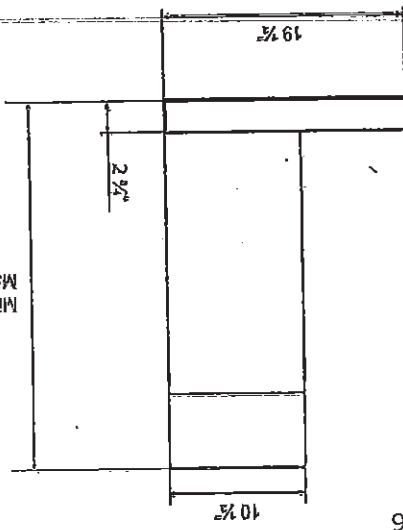
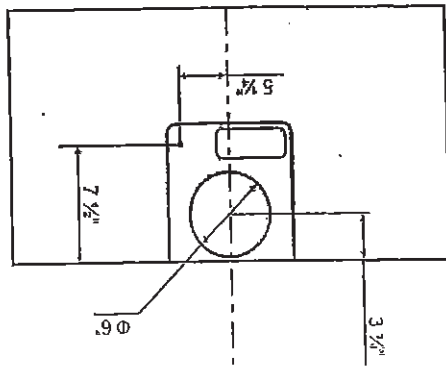
Cyclone®

SCB51430 Canopy Hood
 Aito Collection

Makes a statement of strength and power as the stainless steel frame gleams under your kitchen lights. It features baffle filters, tow bright LED lights in each corner, a three speed control panel, and a quiet, powerful motor. The bold design and strong stainless steel frame encasing the fan will make this machine the focus of your kitchen. Fitted with time-delay "OFF" options up to nine minutes.

Specifications

- Air Flow Volume: 550 CFM
- Colours: Stainless Steel
- Dimensions: **W:30"** H:44.5" D:19.5"
- Electrical Connection: 120V/60Hz
- Electrical Consumption: 200 watts
- Fan Speed: 1254 RPM
- Sones: Min. at 2 and Max at 6
- Venting: 6" Round (Top Only)



260

C2 COUNTRY LANE
 LOT 529
 20-2337AL ELEV B
 THE SPRUCEWOOD

27 of 42



Bottom Mount Refrigerator

PRODUCT MODEL NUMBERS

WRF532SMB
 WRF536SMB

WRF535SMB
 WRF540CWB

Electrical: A 115-volt, 60-Hz, AC-only, 15- or 20-amp fused, grounded electrical supply is required. It is recommended that a separate circuit serving only your refrigerator be provided. Use an outlet that cannot be turned off by a switch. Do not use an extension cord.

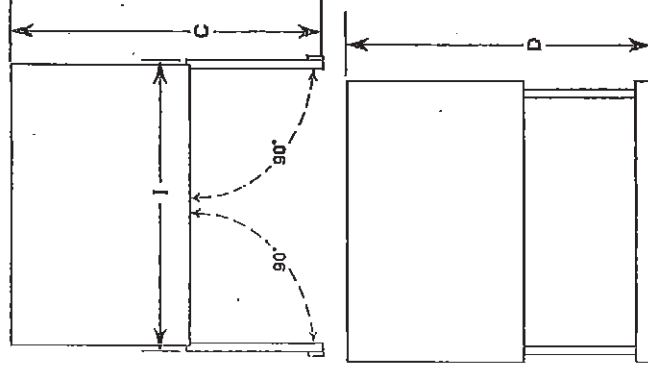
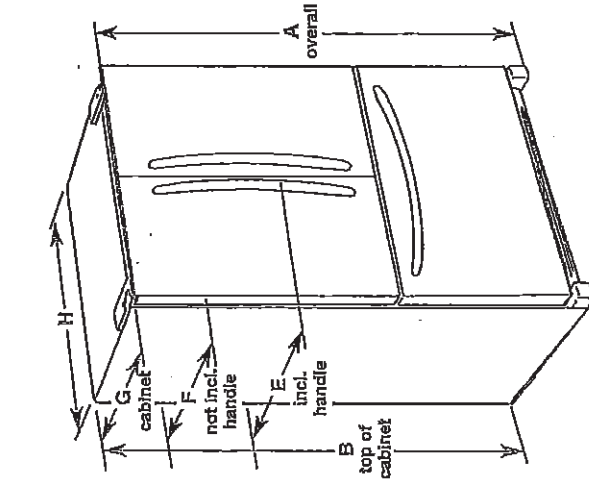
NOTE: Before performing any type of installation, cleaning, or removing a light bulb, turn the control (Thermostat, Refrigerator or Freezer Control depending on the model) to OFF and then disconnect the refrigerator from the electrical source. When you are finished, reconnect the refrigerator to the electrical source and reset the control (Thermostat, Refrigerator or Freezer Control depending on the model) to the desired setting. See "Using the Controls."

Water: A cold water supply with water pressure between 30 and 120 psi (207 and 827 kPa) is required to operate the ice maker and water dispenser. If you have questions about your water pressure, call a licensed, qualified plumber.

IMPORTANT: The pressure of the water coming out of a reverse osmosis system going to the water inlet valve of the refrigerator needs to be between 35 and 120 psi (241 and 827 kPa).

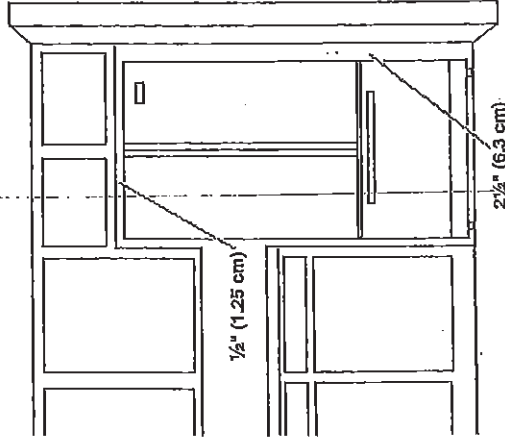
Reverse Osmosis Water Supply: If a reverse osmosis water filtration system is connected to your cold water supply, the water pressure to the reverse osmosis system needs to be a minimum of 40 to 60 psi (276 to 414 kPa).

PRODUCT DIMENSIONS



Model Number/Size	Height - Overall "A"	Height - Top of Cabinet "B"	Depth - Doors Open 90° "C"	Depth - Drawer Open "D"	Depth - With Handles "E"	Depth - Without Handles "F"	Depth - Cabinet Only "G"	Width - Cabinet "H"	Width - Door Open 90° "I"
WRF535SMB 25.2 cu. ft.	70 1/2" (178.1 cm)	68 3/4" (174.8 cm)	48 1/2" (122.1 cm)	53 1/2" (135 cm)	35 1/4" (90 cm)	32 3/4" (83.7 cm)	29 1/2" (74 cm)	35 3/4" (90.5 cm)	49 3/4" (110.2 cm)
WRF535SMB 25.2 cu. ft.	70 1/2" (178.1 cm)	68 3/4" (174.8 cm)	48 1/2" (122.1 cm)	53 1/2" (135 cm)	35 3/4" (90 cm)	32 3/4" (83.7 cm)	29 1/2" (74 cm)	35 3/4" (90.5 cm)	49 3/4" (110.2 cm)
WRF532SMB 22.1 cu. ft.	70 3/8" (178.1 cm)	68 3/4" (174.8 cm)	47 1/2" (119.5 cm)	52 1/2" (132.4 cm)	34 1/4" (87.5 cm)	31 1/4" (79.1 cm)	28 1/2" (71.4 cm)	32 1/2" (82.9 cm)	42 3/4" (107.6 cm)
WRF540CWB 20 cu. ft.	70 3/4" (178.1 cm)	68 3/4" (174.8 cm)	48" (121.9 cm)	44 1/2" (113.0 cm)	29 3/4" (74.6 cm)	28" (71.1 cm)	24 1/4" (61.3 cm)	35 3/4" (90.5 cm)	39 3/4" (100.0 cm)

LOCATION REQUIREMENTS



To ensure proper ventilation for your refrigerator, allow for a 1/2" (1.25 cm) space on each side and at the top. Allow for 1" (2.54 cm) of space behind the refrigerator. If your refrigerator has an ice maker, make sure you leave some extra space at the back for the water line connections.

If you are installing your refrigerator next to a fixed wall, leave 2 1/2" (6.3 cm) minimum on the hinge side (some models require more) to allow for the door to swing open.

NOTE: This refrigerator is intended for use in a location where the temperature ranges from a minimum of 55°F (13°C) to a maximum of 110°F (43°C). The preferred room temperature range for optimum performance, which reduces electricity usage and provides superior cooling, is between 60°F (15°C) and 90°F (32°C). It is recommended that you do not install the refrigerator near a heat source, such as an oven or radiator.

Because Whirlpool Corporation policy includes a continuous commitment to improve our products, we reserve the right to change materials and specifications without notice.

Ref. W705975948
 10/17/14

DK

C2 COUNTRY LANE
LOT 529
20-2337AL ELEV B
THE SPRUCEWOOD

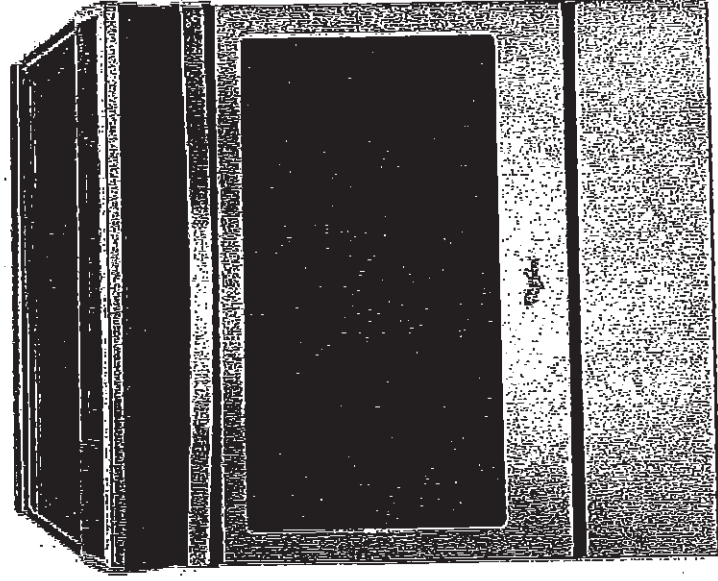
28 of 42

4.8 cu. ft. guided Electric Front Control Range
with the easy-wipe ceramic glass cooktop

YWEE510S0FS

Whirlpool

Home > Kitchen Appliances > Cooking Appliances > Ranges > Single-In Ranges > YWEE510S0FS



7
12

OK

C2 COUNTRY LANE
 LOT 529
 20-2337AL ELEV B
 THE SPRUCEWOOD

29 of 42

Cabinet Dimensions

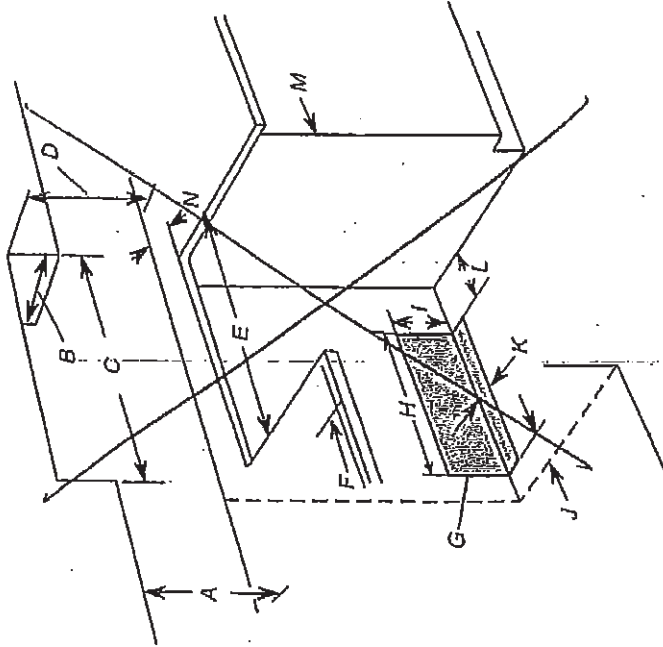
Cabinet opening dimensions shown are for 25" (64.0 cm) countertop depth, 24" (61.0 cm) base cabinet depth and 36" (91.4 cm) countertop height.

IMPORTANT: If installing a range hood or microwave hood combination above the range, follow the range hood or microwave hood combination installation instructions for dimensional clearances above the cooktop surface.

Range may be installed next to combustible walls with zero clearance.

NOTE: When installed in a slide-in cutout, the front of oven door may protrude beyond the base cabinet.

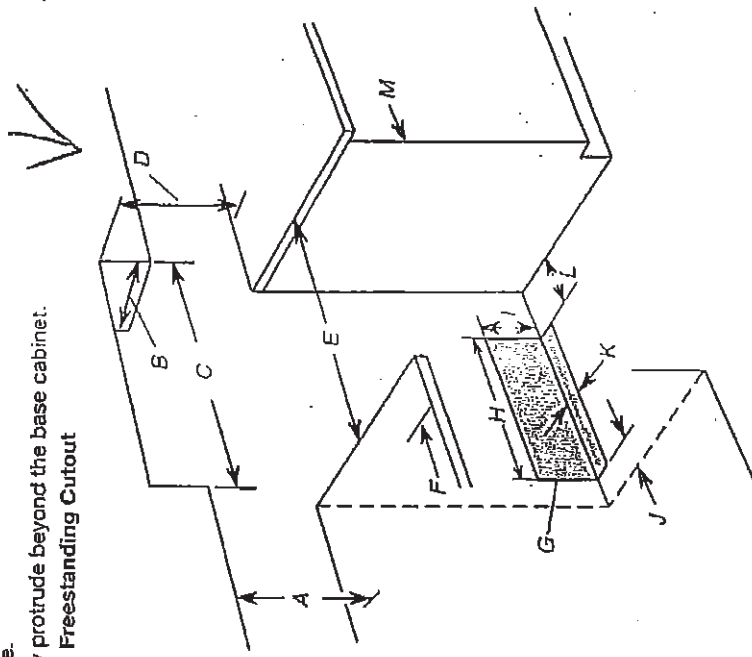
Slide-In Cutout



- A. 18" (45.7 cm) upper side cabinet to countertop
- B. 13" (33 cm) max. upper cabinet depth
- C. 30" (76.2 cm) min. opening width
- D. For minimum clearance to top of cooktop, see NOTE*
- E. 30" (76.2 cm) min. opening width
- F. 3" (7.6 cm) min. clearance from both sides of range to side wall or other combustible material
- G. The shaded area is recommended for installation of rigid gas pipe and grounded outlet.
- H. 13 1/8" (33.3 cm)
- I. 7 1/8" (19.5 cm)
- J. 4 1/8" (12.2 cm)
- K. 3 1/8" (9.4 cm) plus measurement of N
- L. 12" (30.5 cm)
- M. Cabinet door or hinges should not extend into the cutout.
- N. Remaining counter depth should not exceed 2 1/2" (6.7 cm).

*NOTE: 24" (61.0 cm) minimum when bottom of wood or metal cabinet is shielded by not less than 1/4" (0.64 cm) flame retardant millboard covered with not less than No. 28 MSG sheet steel, 0.015" (0.4 mm) stainless steel, 0.024" (0.6 mm) aluminum or 0.020" (0.5 mm) copper.

30" (76.2 cm) minimum clearance between the top of the cooking platform and the bottom of an uncovered wood or metal cabinet.



- A. 18" (45.7 cm) upper side cabinet to countertop
- B. 13" (33 cm) max. upper cabinet depth
- C. 30" (76.2 cm) min. opening width
- D. For minimum clearance to top of cooktop, see NOTE*
- E. 30" (76.2 cm) min. opening width
- F. 3" (7.6 cm) min. clearance from both sides of range to side wall or other combustible material
- G. The shaded area is recommended for installation of rigid gas pipe and grounded outlet.
- H. 13 1/8" (33.3 cm)
- I. 7 1/8" (19.5 cm)
- J. 4 1/8" (12.2 cm)
- K. 3 1/8" (9.4 cm)
- L. 12" (30.5 cm)
- M. Cabinet door or hinges should not extend into the cutout.

RL

C2 COUNTRY LANE
LOT 529
20-2337AL ELEV B
THE SPRUCEWOOD

30 of 42

WHIRLPOOL YWEE510S0FS

4.8 cu. ft. guided Electric Front Control Range with the easy-wipe ceramic glass cooktop

INSTALLATION REQUIREMENTS

Tools and Parts

Gather the required tools and parts before starting installation. Read and follow the instructions provided with any tools listed here.

Tools Needed

- Tape measure
- Phillips screwdriver
- Level
- Hand or electric drill
- Wrench or pliers
- Marker or pencil
- 1/8" (3.2 mm) drill bit (for wood floors)
- Flashlight

Parts Supplied

Check that all parts are included.

- #10 x 1 1/2" (4.1 cm) screws (for mounting anti-tip bracket) (2)
- Anti-tip bracket (inside oven cavity)
Anti-tip bracket must be securely mounted to the back wall or floor. Thickness of flooring may require longer screws to anchor bracket to subfloor. Longer screws are available from your local hardware store.

Location Requirements

IMPORTANT: Observe all governing codes and ordinances.

- It is the installer's responsibility to comply with installation clearances specified on the model/serial/rating plate. The model/serial/rating plate is located behind the oven door on the top right-hand side of the oven frame.
 - The range should be located for convenient use in the kitchen.
 - Recessed installations must provide complete enclosure of the sides and rear of the range.
 - To eliminate the risk of burns or fire by reaching over the heated surface units, cabinet storage space located above the surface units should be avoided. If cabinet storage is to be provided, the risk can be reduced by installing a range hood or microwave hood combination that projects horizontally a minimum of 5" (12.7 cm) beyond the bottom of the cabinets.
 - All openings in the wall or floor where range is to be installed must be sealed.
 - Cabinet opening dimensions that are shown must be used. Given dimensions are minimum clearances.
 - The anti-tip bracket must be installed. To install the anti-tip bracket shipped with the range, see "Install Anti-Tip Bracket" section.
 - Grounded electrical supply is required. See the appropriate "Electrical Requirements" section.
 - Contact a qualified floor covering installer to check that the floor covering can withstand at least 200°F (93°C).
 - Use an insulated pad or 1/4" (0.64 cm) plywood under range if installing range over carpeting.
- IMPORTANT:** To avoid damage to your cabinets, check with your builder or cabinet supplier to make sure that the materials used will not discolor, delaminate, or sustain other damage. This oven has been designed in accordance with the requirements of UL and CSA International and complies with the maximum allowable wood cabinet temperatures of 194°F (90°C).

AS

C2 COUNTRY LANE
 LOT 529
 20-2337AL ELEV B
 THE SPRUCEWOOD

31 of 42

WHIRLPOOL YWEE510S0FS

4.8 cu. ft. guided Electric Front Control Range with the Mobile Home - Additional Installation Requirements

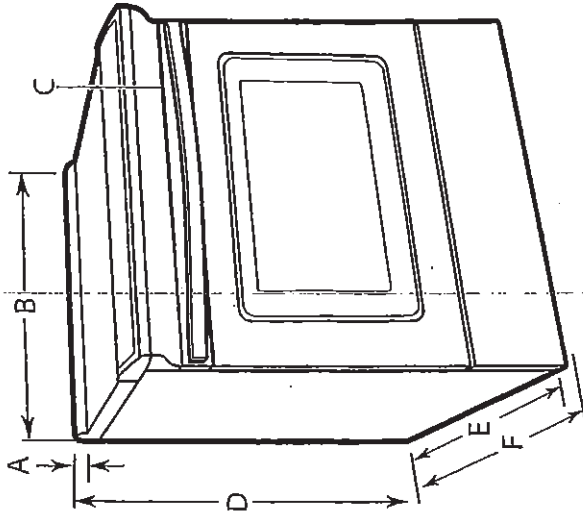
The installation of this range must conform to the Manufactured Home Construction and Safety Standard, Title 24 CFR, Part 3280 (formerly the Federal Standard for Mobile Home Construction and Safety, Title 24, HUD Part 280). When such standard is not applicable, use the Standard for Manufactured Home Installations, ANSI A235.1/NFPA 501A or with local codes. In Canada, the installation of this range must conform with the current standards CAN/CSA-A240-latest edition, or with local codes.

Mobile Home Installations Require:

- When this range is installed in a mobile home, it must be secured to the floor during transit. Any method of securing the range is adequate as long as it conforms to the standards listed above.

Product Dimensions

This manual covers several models. Your model may appear different from the models depicted. Dimensions given are maximum dimensions across all models.



- A. 19^{5/8}" (30.0 cm) height from cooktop to top of vent
- B. 29^{7/8}" (75.9 cm)
- C. Model/serial/rating plate (located behind the oven door on the top right-hand side of the oven frame)
- D. 36" (91.4 cm) height to top of cooktop edge with leveling legs screwed all the way in*
- E. 28^{5/8}" (72.1 cm) max. depth from front of console to back of range
- F. 29^{7/8}" (73.7 cm) max. depth from handle to back of range

IMPORTANT: Range must be level after installation. Follow the instructions in the "Level Range" section. Using the cooktop as a reference for leveling the range is not recommended.

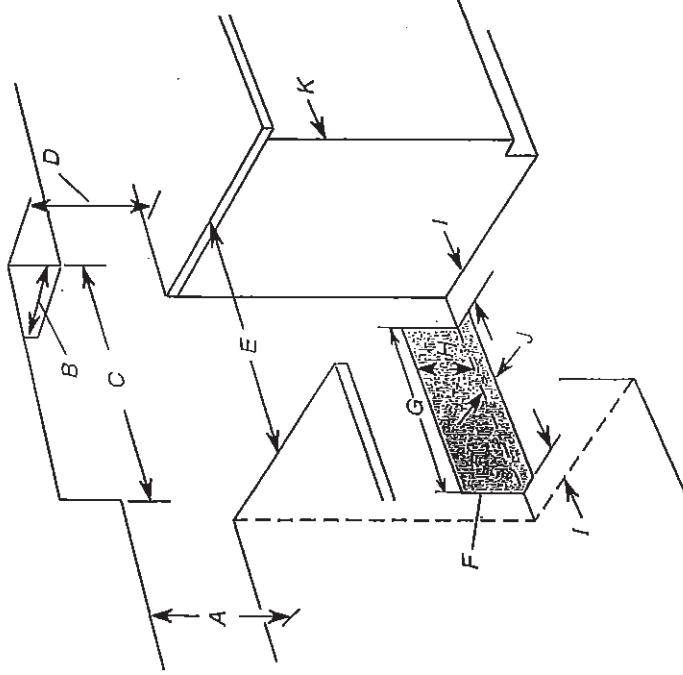
* Range can be raised approximately 1" (2.5 cm) by adjusting the leveling legs.

Cabinet Dimensions

Cabinet opening dimensions shown are for 25" (64.0 cm) countertop depth, 24" (61.0 cm) base cabinet depth, and 36" (91.4 cm) countertop height.

IMPORTANT: If installing a range hood or microwave hood combination above the range, follow the range hood or microwave hood combination installation instructions for dimensional clearances above the cooktop surface.

Range may be installed next to combustible walls with zero clearance.



- A. 18" (45.7 cm) upper side cabinet to countertop
- B. 13" (33 cm) max. upper cabinet depth
- C. 30" (76.2 cm) min. opening width
- D. For minimum clearance to top of cooktop, see NOTE.*
- E. 30" (76.2 cm) min. opening width
- F. The shaded area is recommended for installation of grounded outlet.
- G. 13^{1/8}" (33.3 cm)
- H. 7^{1/16}" (19.5 cm)
- I. 4^{1/16}" (12.2 cm)
- J. 3^{1/16}" (9.4 cm)
- K. Cabinet door or hinges should not extend into the cutout.

*NOTE: 24" (61.0 cm) minimum when bottom of wood or metal cabinet is shielded by not less than 1/4" (0.64 cm) flame retardant millboard covered with not less than No. 28 MSG sheet steel, 0.015" (0.4 mm) stainless steel, 0.024" (0.6 mm) aluminum or 0.020" (0.5 mm) copper.

30" (76.2 cm) minimum clearance between the top of the cooking platform and the bottom of an uncovered wood or metal cabinet.

28


C2 COUNTRY LANE
LOT 529
20-2337AL ELEV B
THE SPRUCEWOOD

32 of 42

WHIRLPOOL YWEE510S0FS

4.8 cu. ft. guided Electric Front Control Range with the easy-wipe ceramic glass cooktop

Electrical Requirements - Canada Only

 ⚠ WARNING
Electrical Shock Hazard Electrically ground range. Failure to do so can result in death, fire, or electrical shock.

if codes permit and a separate ground wire is used, it is recommended that a qualified electrical installer determine that the ground path is adequate and wire gauge are in accordance with local codes.

Be sure that the electrical connection and wire size are adequate and in conformance with CSA Standard C22.1, Canadian Electrical Code, Part 1 - latest edition, and all local codes and ordinances.

A copy of the above code standards can be obtained from:

Canadian Standards Association
178 Rexdale Blvd.
Toronto, ON M9W 1R3 CANADA

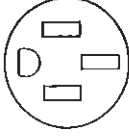
- Check with a qualified electrical installer if you are not sure the range is properly grounded.

Range Rating*	120/208 Volts	120/208 Volts	Amps	Specified Rating of Power Supply Cord Kit and Circuit Protection
8.8 - 16.5 KW	7.8 - 12.5 KW	12.6 - 18.5 KW	40 or 50**	
16.6 - 22.5 KW				

*The NEC calculated load is less than the total connected load listed on the model/serial/rating plate.

**If connecting to a 50-amp circuit, use a 50-amp rated cord with a kit. For 50-amp rated cord kits, use kits that specify use with a nominal 1½" (3.5 cm) diameter connection opening.

- A circuit breaker is recommended.
- This range is equipped with a CSA International Certified Power Cord intended to be plugged into a standard 14-50R wall receptacle. Be sure the wall receptacle is within reach of range's final location.



- Do not use an extension cord.
- The tech sheet and wiring diagram are located on the back of the range in a plastic bag.

PR

C2 COUNTRY LANE
LOT 529
20-2337AL ELEV B
THE SPRUCEWOOD

33 of 42

WHIRLPOOL YWEE510S0FS

4.8 cu. ft. guided Electric Front Control Range with the easy-wipe ceramic glass cooktop

INSTALLATION INSTRUCTIONS

Unpack Range

▲ WARNING

Excessive Weight Hazard

Use two or more people to move and install range.
Failure to do so can result in back or other injury.

1. Remove shipping materials, tape, and film from the range. Keep cardboard bottom under range. Do not dispose of anything until the installation is complete.
2. Remove oven racks and parts package from oven and shipping materials.
3. To remove cardboard bottom, first take 4 cardboard corners from the carton. Stack 1 cardboard corner on top of another. Repeat with the other 2 corners. Place them lengthwise on the floor behind the range to support the range when it is laid on its back.
4. Using 2 or more people, firmly grasp the range and gently lay it on its back on the cardboard corners.
5. Remove cardboard bottom.

The leveling legs can be adjusted while the range is on its back. See the "Adjust Leveling Legs" section.

NOTE: To place range back up into a standing position, put a sheet of cardboard or hardboard on the floor in front of range to protect the flooring. Using 2 or more people, stand range back up onto the cardboard or hardboard.

Install Anti-Tip Bracket

▲ WARNING

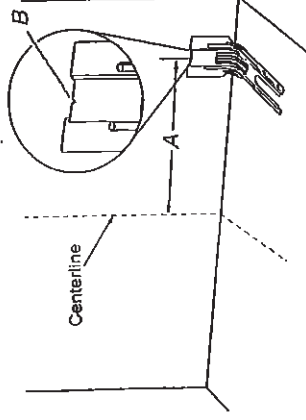


Tip Over Hazard

A child or adult can tip the range and be killed.
Install anti-tip bracket to floor or wall per installation instructions.
Slide range back so rear range foot is engaged in the slot of the anti-tip bracket.
Re-engage anti-tip bracket if range is moved.
Do not operate range without anti-tip bracket installed and engaged.
Failure to follow these instructions can result in death or serious burns to children and adults.

1. Remove the anti-tip bracket from the inside of the oven.
2. Determine which mounting method to use: floor or wall.
If you have a stone or masonry floor, you can use the wall mounting method. If you are installing the range in a mobile home, you must secure the range to the floor.
This anti-tip bracket and screws can be used with wood or metal studs.

3. Determine and mark centerline of the cutout space. The mounting bracket can be installed on either the left-hand or right-hand side of the cutout. Position mounting bracket against the wall in the cutout so that the V-notch of the bracket is 12½" (31.8 cm) from centerline as shown.



A. 12½" (31.8 cm)
B. Bracket V-notch

PR

C2 COUNTRY LANE
 LOT 529
 20-2337AL ELEV B
 THE SPRUCEWOOD

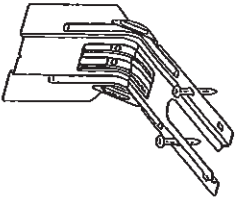
34 of 42

WHIRLPOOL YWEE510S0FS

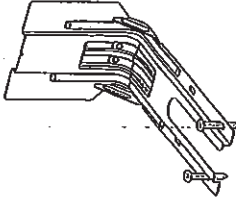
4.8 cu. ft. guided Electric Front Control Range with the easy-wipe ceramic glass cooktop

- Drill two 1/8" (3 mm) holes that correspond to the bracket holes of the determined mounting method. See the following illustrations.

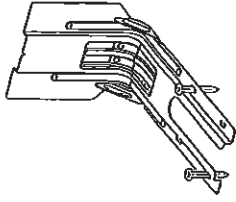
Floor Mounting



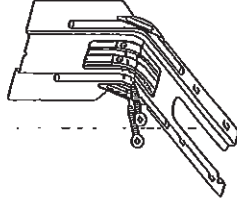
Rear position



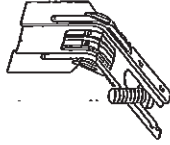
Front position



Diagonal (2 options)



- Using the two #10 x 1 1/2" (4.1 cm) Phillips-head screws provided, mount anti-tip bracket to the wall or floor.
- Move range close enough to opening to allow for final electrical connections. Remove shipping base, cardboard, or hardboard from under range.
- Move range into its final location, making sure rear leveling leg slides into anti-tip bracket.



- Move range forward onto shipping base, cardboard, or hardboard to continue installing the range, using the following installation instructions.

Adjust Leveling Legs

- If range height adjustment is necessary, use a wrench or pliers to loosen the 4 leveling legs. This may be done with the range on its back or with the range supported on 2 legs after the range has been placed back to a standing position.

! WARNING



Tip Over Hazard

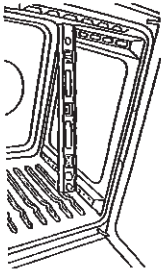
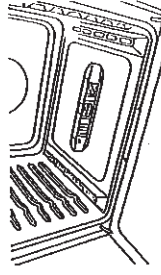
- A child or adult can tip the range and be killed.
- Install anti-tip bracket to floor or wall per installation instructions.
- Slide range back so rear range foot is engaged in the slot of the anti-tip bracket.
- Re-engage anti-tip bracket if range is moved.
- Do not operate range without anti-tip bracket installed and engaged.
- Failure to follow these instructions can result in death or serious burns to children and adults.

- Measure the distance from the top of the counter to the floor.
- Measure the distance from the top of the cooktop to the bottom of the leveling legs. This distance should be the same. If it is not, adjust the leveling legs to the correct height. The leveling legs can be loosened to add up to a maximum of 1" (2.5 cm). A minimum of 3/16" (5 mm) is needed to engage the anti-tip bracket.
- NOTE:** If height adjustment is made when range is standing, tilt the range back to adjust the front legs, and then tilt forward to adjust the rear legs.
- When the range is at the correct height, check that there is adequate clearance under the range for the anti-tip bracket. Before sliding range into its final location, check that the anti-tip bracket will slide under the range and onto the rear leveling leg prior to anti-tip bracket installation.

NOTE: If a Trim Kit will be used, the top of the cooktop should be higher than the counter. See the Installation Instructions included with the Trim Kit for the correct height.

Level Range

- Place level on the oven bottom, as indicated in one of the 2 figures below, depending on the size of the level. Check with the level side to side and front to back.



- If range is not level, use a wrench or pliers to adjust leveling legs up or down until the range is level.

RR

C2 COUNTRY LANE
 LOT 529
 20-2337AL ELEV B
 THE SPRUCEWOOD



Undercounter Dishwasher

PRODUCT MODEL NUMBERS

WDFE110PAB	WDFE310PLA	WDFE30PSSX
WDFE111PAB	WDFE320PAD	WDFE40PAD
WDFE120PAF	WDFE110PAY	WDFE730PAY
WDFE121PAF	WDFE20PAD	WDT1710PAY
WDFE310PAA	WDFE30PAY	WDT1720PAD
WDFE310PCA	WDFE30PLY	WDT1770PAY

Electrical Requirements: 120-volt, 60-Hz, AC only, 15- or 20-amp, fused electrical supply. Copper wire only. A time delay fuse or circuit breaker and separate circuit is recommended.

If direct wiring dishwasher: Use flexible, armored, or nonmetallic, sheathed copper wire with grounding wire that meets the wiring requirements for your home and local codes and ordinances. Use a UL listed or CSA approved conduit connector.

If connecting dishwasher with a power supply cord: Use Power Supply Cord Kit (Part No. 4317824) marked for use with dishwashers. Follow the kit instructions for installing the power supply cord.

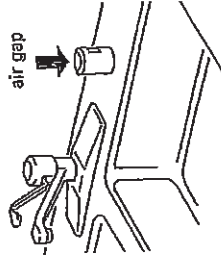
Power supply cord must plug into a grounded 3 prong, outlet, located in the cabinet next to the dishwasher opening. Outlet must meet all local codes and ordinances.

Water Supply Requirements: A hot water line with 20 to 120 psi (138 to 862 kPa) water pressure. Water temperature must be 120°F (49°C) water at dishwasher. Use 3/8" O.D. copper tubing with compression fitting or flexible braided water supply line (1/2" minimum plastic tubing is not recommended). Use a 90° elbow with 3/4"N.P.T. external pipe threads on one end. Do not solder within 6" (15.2 cm) from water inlet valve.

Drain Requirements: A new drain hose is supplied with your dishwasher. If this is not long enough, use a new drain hose with a maximum length of 12' (3.7 m) (Part No. 3885566) that meets all current AHAM/IAPMO test standards, is resistant to heat and detergent, and fits the 1" (2.5 cm) drain connector of the dishwasher.

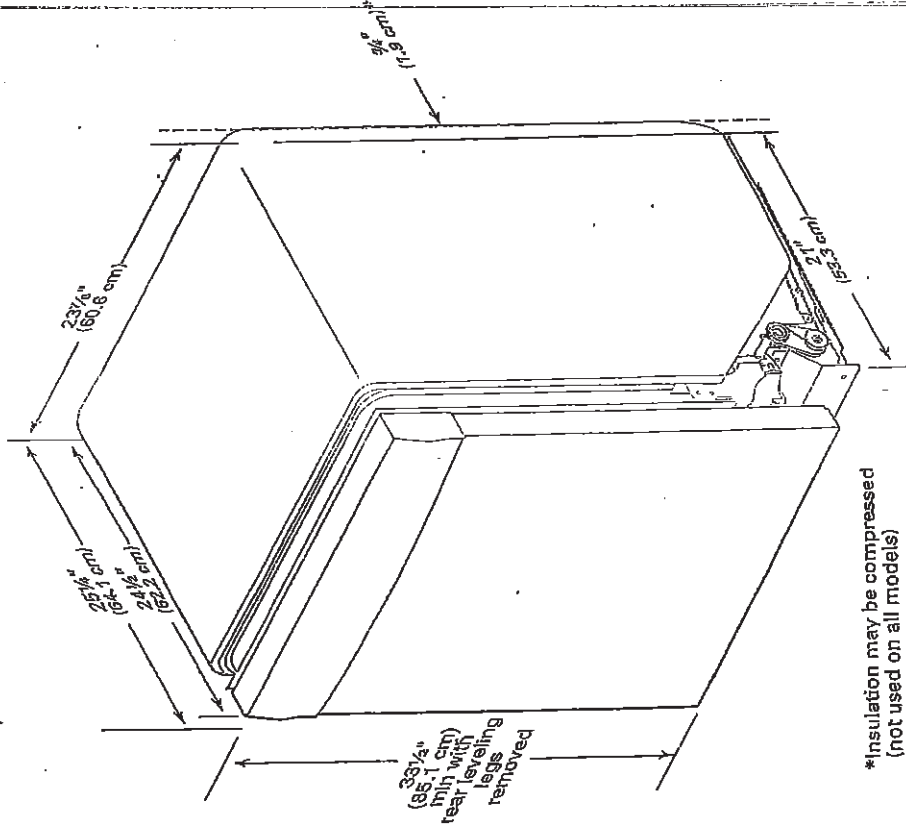
Make sure to connect the drain hose to waste tee or disposer inlet above drain trap in house plumbing and 20" (50.8 cm) minimum above the floor. It is recommended that the drain hose either be looped up and securely fastened to the underside of the counter or be connected to an air gap.

Make sure to use an air gap if the drain hose is connected to house plumbing lower than 20" (50.8 cm) above subfloor or floor.



Use 1/2" (1.3 cm) minimum I.D. drain line fittings. If required, the air gap should be installed in accordance with the air gap installation instructions. When connecting the air gap, a rubber hose (not provided) will be needed to connect to the waste tee or disposer inlet.

PRODUCT DIMENSIONS



*Insulation may be compressed (not used on all models)

35 of 42

22

C2 COUNTRY LANE
LOT 529
20-2337AL ELEV B
THE SPRUCEWOOD

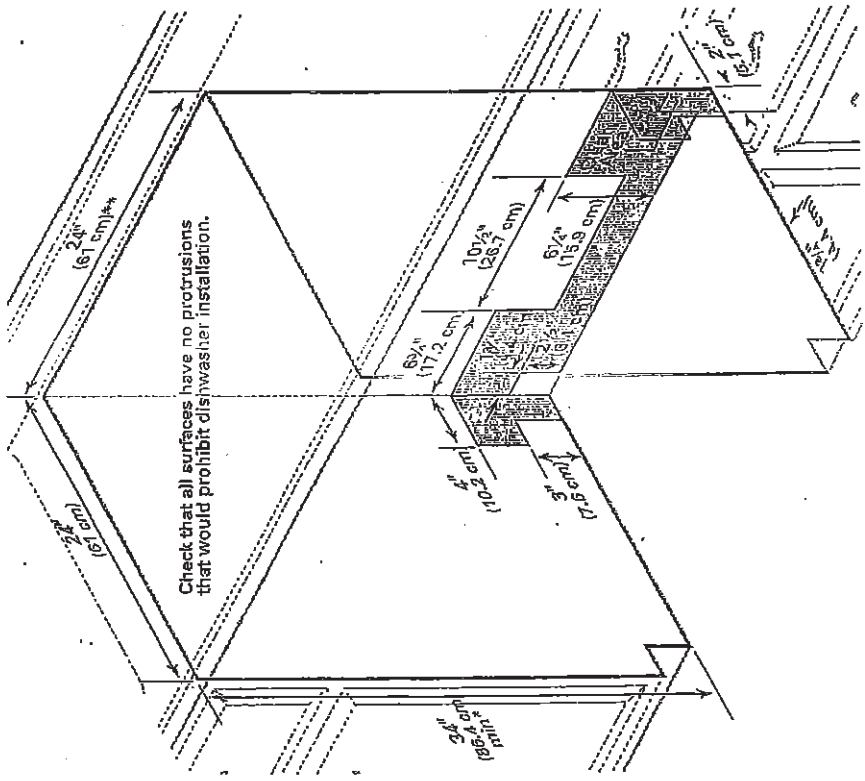
1, 2
36 of 42

CABINET CUTOUT DIMENSIONS

NOTE: Shaded areas of cabinet walls show where utility connections may be installed.

*Measure from the lowest point on the underside of the countertop. May be reduced to 33 $\frac{1}{2}$ " (85.1 cm) by removing the rear leveling legs from dishwasher.

**Minimum, measured from narrowest point of opening.



Because Whirlpool Corporation policy includes a continuous commitment to improve our products, we reserve the right to change materials and specifications without notice.

Dimensions are for planning purposes only. For complete details, see Installation Instructions packed with product. Specifications subject to change without notice.

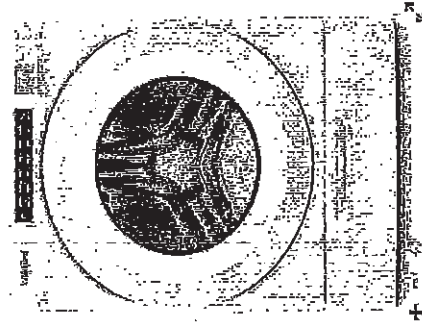
OK

C2 COUNTRY LANE
 LOT 529
 20-2337AL ELEV B
 THE SPRUCEWOOD

37 of 42

WHIRLPOOL WASHER Model #: WFW5620HW

Whirlpool Brand Canada English | Washer and Dryer | Washers | Front Load Washers | WFW5620HW



5.2 cu. ft. I.E.C. Closet-Depth
 Front Load Washer with
 Load & Go™ Dispenser



Whirlpool

5.2 cu. ft. I.E.C. Closet-Depth Front Load Washer with Load & Go™
 Dispenser

Model #: WFW5620HW

Dimensions

Depth	86.17 cm, 31-9/16 in
Depth With Door Open 90 Degree	143.51 cm, 56-1/2 in
Minimum Height	96.11 cm, 38-5/8 in
Width	68.58 cm, 27.0 in

Appearance

LCD Touch Screen	No
Window	Yes

Details

Drum Material	Stainless Steel
---------------	-----------------

Cycles and Options

Number of Wash Cycles	97
-----------------------	----

Electrical

Hz	60
Power Cord Included	Yes

RK

C2 COUNTRY LANE
 LOT 529
 20-2337AL ELEV B
 THE SPRUCEWOOD

38 of 42

WHIRLPOOL WASHER Model #: WFW5620HW

LOCATION REQUIREMENTS

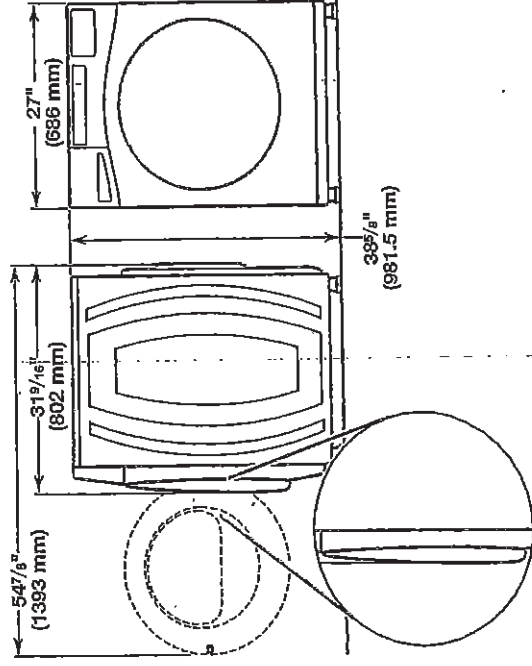
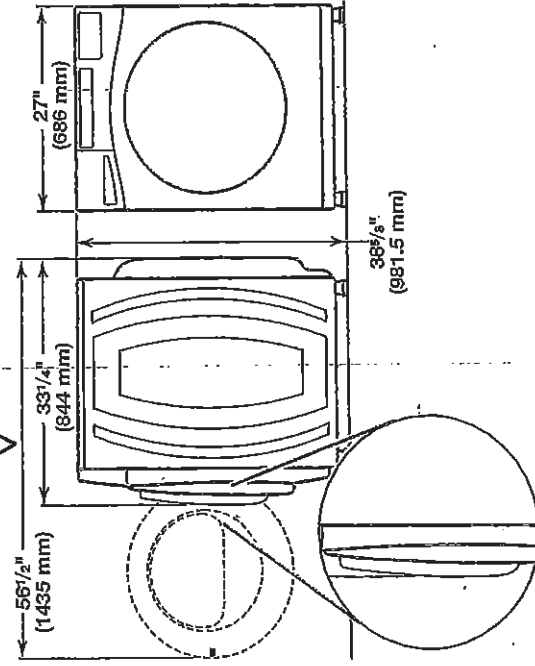
Proper installation is your responsibility.

You will need:

- A water heater set to 120°F (49°C).
- A grounded electrical outlet located within 6 ft (1.8 m) of power cord on back of washer.
- Hot and cold water faucets located within 4 ft (1.2 m) of hot and cold water fill valves on washer, and water pressure of 20–100 psi (137.9–689.6 kPa).
- A level floor with maximum slope of 1" (25 mm) under entire washer. Installing on carpet or surfaces with foam backing is not recommended.
- Floor must support washer's total weight (with water and load) of 315 lbs (143 kgs).

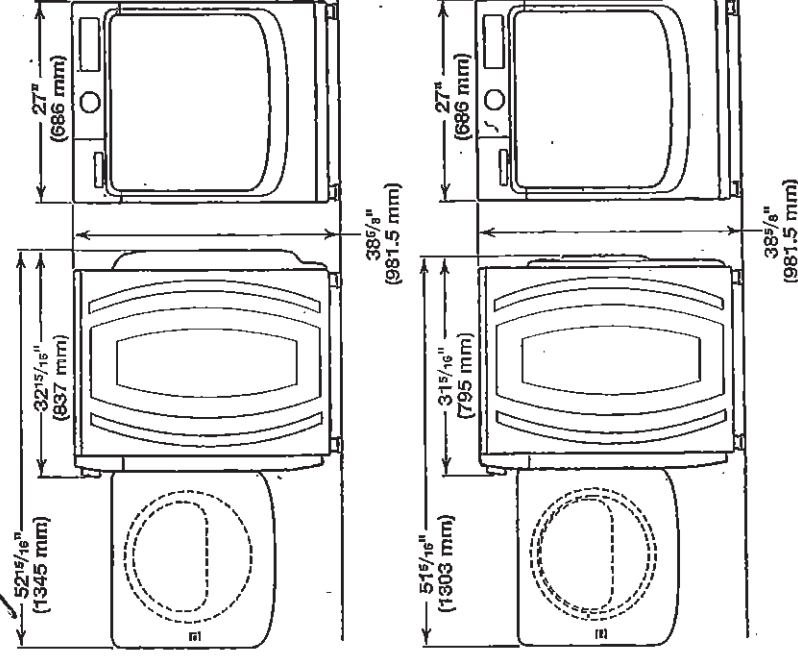
IMPORTANT: Do not install, store, or operate washer where it will be exposed to weather or in temperatures below 32°F (0°C). Water remaining in washer after use may cause damage in low temperatures. See "Washer/Care" in your Use and Care Guide for winterizing information.

Whirlpool Models* ✓



*For additional details (or information) specific to your model, refer to the 'Dimensions' listed for your model at www.whirlpool.com.

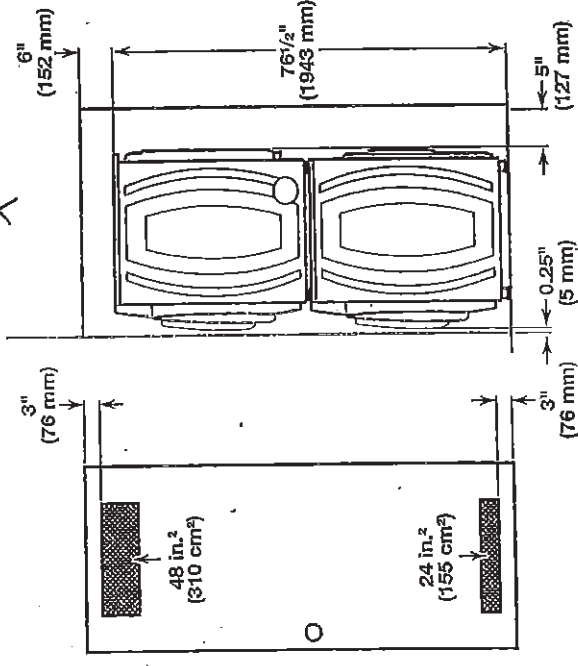
Maytag Models ✓



All dimensions show minimum spacing allowed. For each arrangement, consider allowing more space for ease of installation and servicing, and spacing for companion appliances and clearances for walls, doors, and floor moldings.

Space must be large enough to allow door to fully open. Add spacing of 1" (25 mm) on all sides of washer to reduce noise transfer. If a closet door or louvered door is installed, top and bottom air openings in door are required.

Recessed area or closet installation (stacked washer and dryer): X



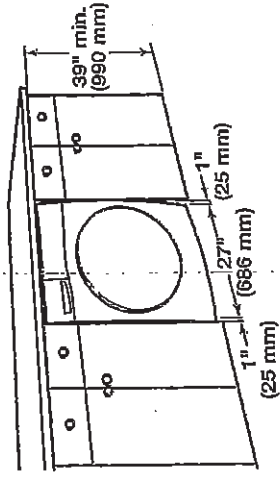
Handwritten signature or initials.

C2 COUNTRY LANE
 LOT 529
 20-2337AL ELEV B
 THE SPRUCEWOOD

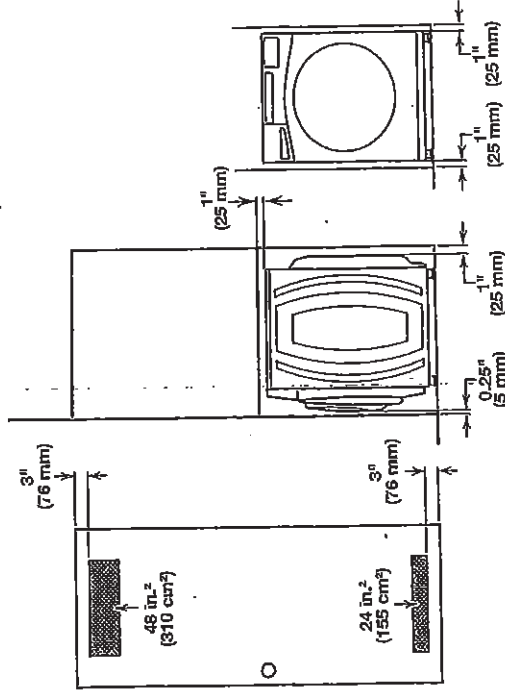
39 of 42

WHIRLPOOL WASHER Model #: WFW5620HW

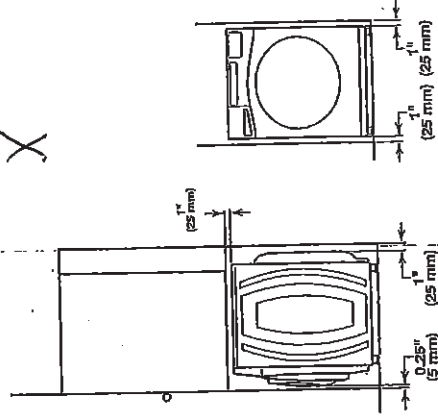
Custom under-counter installation: X



Recessed area or closet installation: X



Custom cabinet installation: X

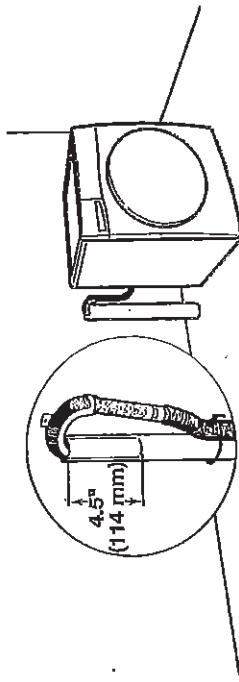


DRAIN SYSTEM

The drain system can be installed using a floor drain, wall standpipe, floor standpipe, or laundry tub. Select the method you need.

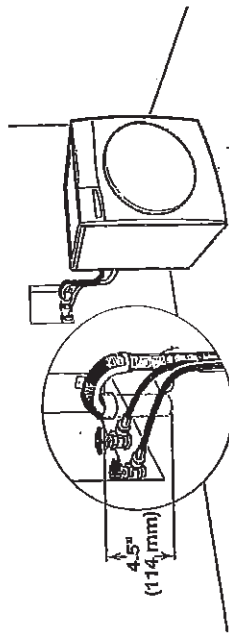
IMPORTANT: To avoid siphoning, only 4.5" (114 mm) of drain hose should be inside standpipe. Always secure drain hose with cable tie.

Floor standpipe drain system



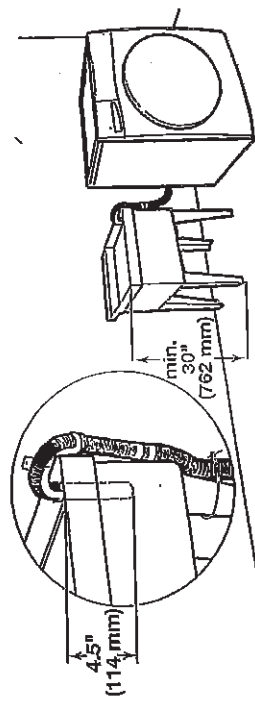
Minimum diameter for a standpipe drain: 2" (51 mm). Minimum carry-away capacity: 17 gal. (64 L) per minute. A 1/4" (6 mm) diameter to 1" (25 mm) diameter Standpipe Adapter KIt is available (Part Number 3363920). Top of standpipe must be at least 30" (762 mm) high; install no higher than 96" (2.44 m) from bottom of washer. If you have an overhead sewer and need to pump higher than 96" (2.44 m), a sump pump and associated hardware are needed. See "Alternate parts."

Wall standpipe drain system



See requirements for floor standpipe drain system.

Laundry tub drain system



Minimum capacity: 20 gal. (76 L). Top of laundry tub must be at least 30" (762 mm) above floor; install no higher than 96" (2.44 m) from bottom of washer.

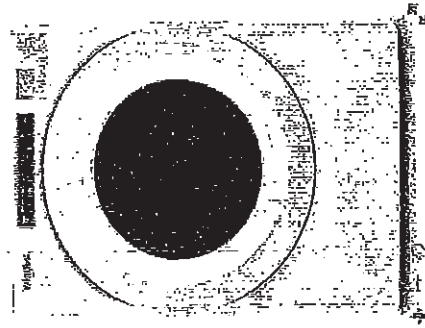
PR

40 of 42

C2 COUNTRY LANE
LOT 529
20-2337AL ELEV B
THE SPRUCEWOOD

WHIRLPOOL DRYER Model #: YWED5620HW

Whirlpool Brand Controls English | Washer and Dryer | Dryer | Electric Dryer | YWED5620HW



7.4 cu. ft. Front Load Electric Dryer with Intuitive Touch Controls



Whirlpool 7.4 cu. ft. Front Load Electric Dryer with Intuitive Touch Controls

Model #: YWED5620HW

Dimensions

Depth	78.74 cm, 31.0 in
Depth With Door Open 90 Degree	138.43 cm, 54-1/2 in
Height	98.12 cm, 38-3/4 in
Width	68.58 cm, 27.0 in

Configuration and Overview

Fuel Type Electric

Cycles and Options

Cycle Time Remaining	Yes
Last Filter Indicator	No
Number of Dryer Cycles	35
Number of Dryness Levels	3

Ventilation System

Long Vent	No
Maximum Vent Length	64
Venting Direction	Left, Right, Bottom, Rear

Electrical

Hz.	50
Power Cord Included	Yes

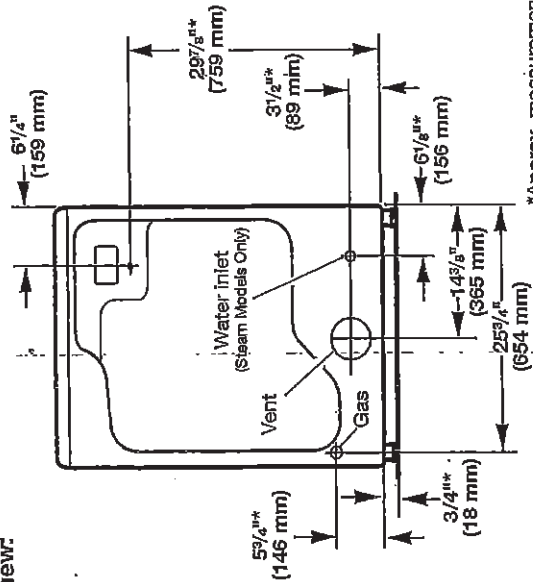
DL

C2 COUNTRY LANE
 LOT 529
 20-2337AL ELEV B
 THE SPRUCEWOOD

4/06/12

WHIRLPOOL DRYER Model #: YWED5620HW

Back view:



*Approx. measurement

NOTE: Most installations require a minimum of 5" (127 mm) clearance behind dryer for exhaust vent with elbow. See "Venting Requirements."

Installation Clearances

For each arrangement, consider allowing more space for ease of installation and servicing, spacing for companion appliances, and clearances for walls, doors, and floor moldings. Space must be large enough to allow door to fully open. Add spacing on all sides of dryer to reduce noise transfer. If a closet door or louvered door is installed, top and bottom air openings in door are required.

Check code requirements. Some codes limit, or do not permit, installation of the dryer in garages, closets, mobile homes, or sleeping quarters. Contact your local building inspector.

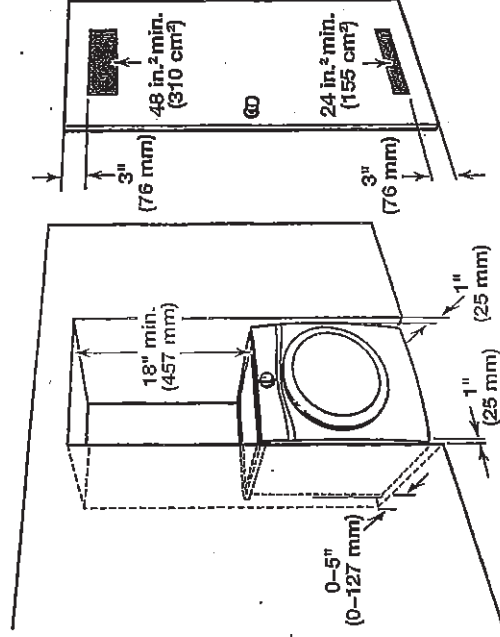
NOTE: No other fuel-burning appliance can be installed in the same closet as a dryer.

Installation spacing for recessed area or closet installation

All dimensions show recommended and minimum spacing allowed.

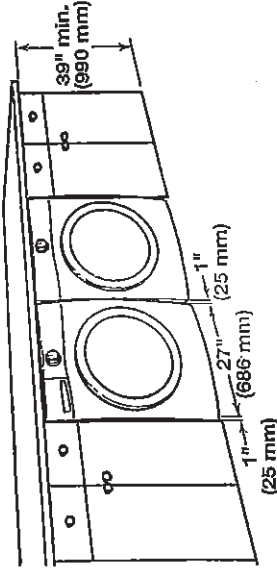
- Additional spacing should be considered for ease of installation and servicing.
- Additional clearances might be required for wall, door, floor moldings, dryer venting, and gas line.
- Additional spacing should be considered on all sides of the dryer to reduce noise transfer.
- For closet installation with a door, minimum ventilation openings in the top and bottom of the door are required. Louvered doors with equivalent ventilation openings are acceptable.
- Companion appliance spacing should also be considered.

Recommended installation clearances (dryer only):



0" (0 mm) rear spacing is allowed for straight back venting only. For steam models only, inlet hose must not be kinked.

Custom under-counter installation: X



Mobile home - Additional installation requirements:

This dryer is suitable for mobile home installations. The installation must conform to the Manufactured Home Construction and Safety Standard, Title 24 CFR, Part 3280 (formerly the Federal Standard for Mobile Home Construction and Safety, Title 24, HUD Part 280) or Standard CAN/CSA-Z240 MH.

Mobile home installations require:

- Metal exhaust system hardware, available for purchase from your dealer. For further information, see "Assistance or Service" in your Use and Care Guide.
- Special provisions must be made in mobile homes to introduce outside air into dryer. Openings (such as a nearby window) should be at least twice as large as dryer exhaust opening.

For mobile home installation of gas dryers:

- Mobile Home Installation Hold-down Kit Part Number 346764 is available to order. For further information, see "Assistance or Service" in your Use and Care Guide.

RL

C2 COUNTRY LANE
 LOT 529
 20-2337AL ELEV B
 THE SPRUCEWOOD

42 of 42

WHIRLPOOL DRYER Model #: YWED5620HW

Additional parts may be required, depending on your installation. Check local codes. Check existing electrical supply and venting. Read "Electrical Requirements" and "Venting Requirements" before purchasing parts.

If using a power supply cord:

Use a UL Listed power supply cord kit marked for use with clothes dryers. The kit should contain:


- A UL Listed 30 amp power supply cord, rated 120/240 volt minimum. The cord should be type SRD or SRDT and be at least 4 ft. (1.22 m) long. The wires that connect to the dryer must end in ring terminals or spade terminals with upturned ends.
- A UL Listed strain relief.

Optional Equipment (not supplied with dryer):

Refer to your Use and Care Guide for information about accessories available for your dryer.

LOCATION REQUIREMENTS

Check code requirements. Some codes limit, or do not permit, installing dryer in garages, closets, mobile homes, or sleeping quarters. Contact your local building inspector.

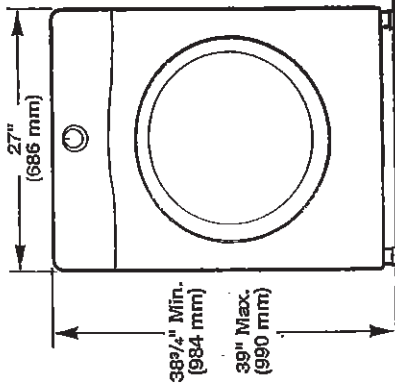
! WARNING

<p style="text-align: center;">Explosion Hazard</p> <p>Keep flammable materials and vapors, such as gasoline, away from dryer.</p> <p>Place dryer at least 18 inches (460 mm) above the floor for a garage installation.</p> <p>Failure to do so can result in death, explosion, or fire.</p>

You will need:

- A location allowing for proper exhaust installation. See "Venting Requirements."
 - A separate 15 or 20 amp circuit for a gas dryer or 30 amp circuit for an electric dryer.
 - If using power supply cord, a grounded electrical outlet located within 2 ft. (610 mm) of either side of dryer. See "Electrical Requirements."
 - Floor must support dryer weight of 200 lbs. (90.7 kg). Also consider weight of companion appliance.
 - Cold water faucets located within 4 ft. (1.2 m) of the water fill valves, and water pressure of 20-120 psi (138-827 kPa). You may use your washer's water supply by purchasing the necessary parts noted in "Parts needed."
 - Level floor with maximum slope of 1" (25 mm) under entire dryer. If slope is greater than 1" (25 mm), install Extended Dryer Feet Kit, Part Number 279810. If not level, clothes may not tumble properly and automatic sensor cycles may not operate correctly.
 - For garage installation, place dryer at least 18" (460 mm) above floor. If using a pedestal, you will need 18" (460 mm) to bottom of dryer.
 - The dryer must not be installed or stored in an area where it will be exposed to water and/or weather.
- IMPORTANT:** Do not operate, install, or store dryer where it will be exposed to water, weather, or at temperatures below 40°F (4°C). Lower temperatures may cause dryer not to shut off at end of automatic sensor cycles, resulting in longer drying times.

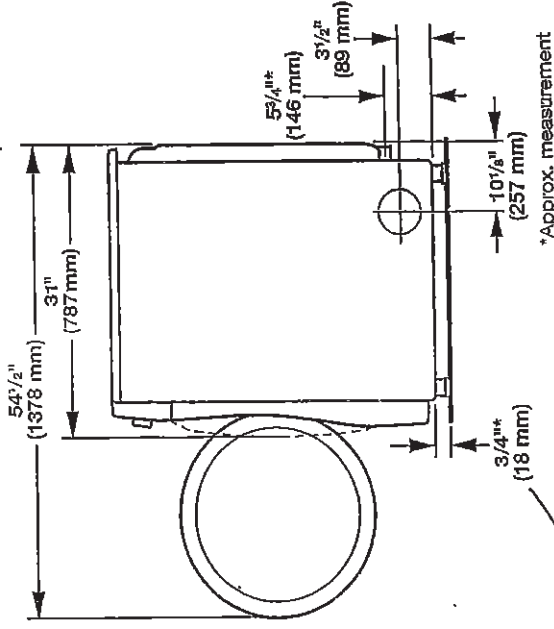
DRYER DIMENSIONS

Front view:

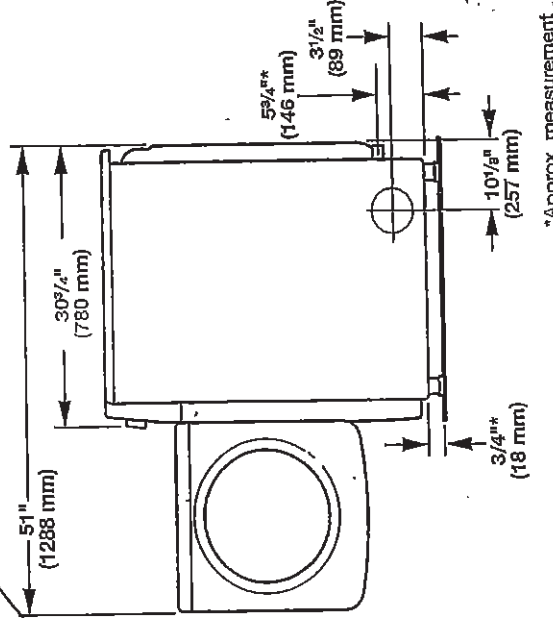


Side view:

Whirlpool Models



Maytag Models



PK