

**Sales Selection Sheet
Checklist**

1 of 40

LOT 340 Model: 25-2500 ALT C The Bridgeport

PURCHASERS: KHALID, MUKHTAR RANA/HANA RANA

VENDOR: Heathwood Homes (Huron) Limited

COFFERED CEILING IN GREAT ROOM
OPTIONAL DOUBLE SINKS IN MASTER ENSUITE BATHROOM

- FINISHED BASEMENT
- COLD CELLAR

UPGRADED / MODIFIED ELEVATION

- CORNER UPGRADE
- REAR UPGRADE

CEILING UPGRADE - SMOOTH

- MAIN FLOOR
- SECOND FLOOR
- BASEMENT

ADDITIONAL ROUGH-INS

- 200 AMP SERVICE (STD)
- WET BAR ROUGH-IN
- HUMIDIFIER
- AIR CONDITIONING (STD)

GAS ROUGH-IN

- STOVE
- DRYER
- BBQ
- ADDITIONAL FIREPLACE

KITCHEN: HOODFAN VENTING SIZE

- 6 IN ROUND DUCT
- 7 IN ROUND DUCT

FULL BASEMENT STAIRS:	All Oak (UPG)
UPPER BASEMENT STAIRS:	N/A
LOWER BASEMENT STAIRS:	N/A
MAIN STAIRS:	All Oak
MEDIA STAIRS (if applicable):	N/A
LOFT STAIRS (if applicable):	N/A

Apr 13, 2022 Signature on file

 Date Purchaser:

Apr 13, 2022 TINA LEFUR

 Date Decor Consultant:

 Date Purchaser:

Apr 13, 2022 MARILYN ROSEN

 Date Heathwood Homes (Huron) Limited
 Approved

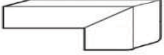
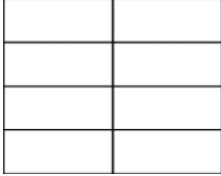
Locked Date:

Customer Colours

KHALID, MUKHTAR RANA/HANA RANA
 Project: Wallaceton
 Unit: 340, Phase: 3
 Model: 25-2500 ALT C The Bridgeport

Locked:
 Closed:

Kitchen/Servery

Cabinet Colour/Style	9111	VIKING III SIMCOE ORCHID 3DL ***STD***	
Countertop	9121	MSI Quartz GROUP 1 ICED WHITE 3/4 inch with double mitre edge ***1***	
Countertop Edge	4005	DOUBLE MITRE 1 1/2 INCH ***UPG***	
Cabinet Hardware	2086	9677-HARDWARE ***STD***	
Island Cabinet Colour/Style	9111	VIKING III SIMCOE ORCHID 3DL ***STD***	
Island Countertop	9121	MSI Quartz GROUP 1 ICED WHITE 3/4 inch with double mitre edge ***1***	
Backsplash	8638	QT.CH.TGR.0412.BR-Chess Bevelled-Tender Grey-4 x 12 ***3***	
Backsplash Grout	2226	Grout-(00) White ***STD***	
Backsplash Tile Pattern	3070	HORIZONTAL STACKED ***STD***	
HoodFan	9414	AVN-368CS-AVG 36 inch STAINLESS STEEL CHIMNEY WALL MOUNTED HOODFAN	P3738
Appliances	9414	Purchasers have been advised: standard fridge opening is a minimum 37 3/8 x 73 3/8". Ice Waterline Rough-In is included.	
Appliances	9414	Standard stove opening is 30" and standard dishwasher opening is 24". Any gas stove will require backsplash or stainless steel backing to avoid fire hazards.	
Appliances	9414	Purchasers acknowledge: Heathwood Homes and its contractors will not be responsible for any kitchen cabinet changes due to appliances dimension changes after	
Comment	<div style="border: 1px solid black; height: 30px;"></div>		

Opt. Servery Upper

Cabinet - Uppers	9111	VIKING III SIMCOE ORCHID 3DL ***1***	
Cabinet Hardware	2086	9677-HARDWARE ***STD***	
Comment	<div style="border: 1px solid black; height: 30px;"></div>		

Customer Colours

KHALID, MUKHTAR RANA/HANA RANA
Project: Wallaceton
Unit: 340, Phase: 3
Model: 25-2500 ALT C The Bridgeport

Created: 3/7/2022 10:54:1

Locked:

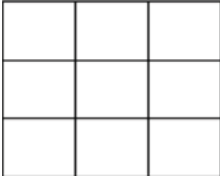
Closed:

Kitchen/Breakfast/Servery

Flooring	9011	Red Oak PEARL-Vintage Red Oak Solid Sculpted Character PEARL-PEWTER-3/4 inch X 5 inch ***9***
Floor Tile Grout	1111	N/A *****
Floor Tile Pattern	1111	N/A *****

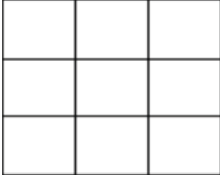
Comment

Foyer

Flooring	8248	OV.CX.WHT.2424.PL-Carrara X-White Polished-24 x 24 ***6***
Floor Tile Grout	2225	Grout-(27) Silver ***STD***
Floor Tile Pattern	3000	STANDARD SQUARE ***STD*** 

Comment

Laundry Room

Flooring	3000	TR.SP.WHITE.1313 SEMPRE White Matte 13
Floor Tile Grout	2225	Grout-(27) Silver ***STD***
Floor Tile Pattern	3000	STANDARD SQUARE ***STD*** 

Comment

Laundry Room Opt.

Cabinet - Uppers	1111	N/A *****
------------------	------	-----------

Customer Colours

KHALID, MUKHTAR RANA/HANA RANA
Project: Wallaceton
Unit: 340, Phase: 3
Model: 25-2500 ALT C The Bridgeport

Created: 3/7/2022 10:54:11

Locked:

Closed:

Cabinet Hardware

Comment

Mud Room

Flooring

Floor Tile Grout

Floor Tile Pattern

Comment

Powder Room

Flooring

Floor Tile Grout

Floor Tile Pattern

Plumbing Fixture (Colour)

Comment

Dining Room/Hall

Flooring

Comment

Great Room

Flooring

KHALID, MUKHTAR RANA/HANA RANA
Project: Wallaceton
Unit: 340, Phase: 3
Model: 25-2500 ALT C The Bridgeport

Locked:
Closed:

Comment

Upper Hall

Flooring

9247

DY 16611-Dynasty Tex-SANDY BEIGE-40 oz
Poly***STD***

Comment

Finished Basement Foyer

Flooring

9247

DY 16611-Dynasty Tex-SANDY BEIGE-40 oz
Poly***STD***

Comment

Opt. Finished Basement (Rec) Room/Hall

Flooring

9247

DY 16611-Dynasty Tex-SANDY BEIGE-40 oz
Poly***STD***

Comment

Master Bedroom

Flooring

9247

DY 16611-Dynasty Tex-SANDY BEIGE-40 oz
Poly***STD***

Comment

Bedroom 2

Flooring

9247

DY 16611-Dynasty Tex-SANDY BEIGE-40 oz
Poly***STD***

Comment

Bedroom 3

Flooring

9247

DY 16611-Dynasty Tex-SANDY BEIGE-40 oz
Poly***STD***

Customer Colours

KHALID, MUKHTAR RANA/HANA RANA
Project: Wallaceton
Unit: 340, Phase: 3
Model: 25-2500 ALT C The Bridgeport

Created: 3/7/2022 10:54:11

Locked:

Closed:

Comment

Bedroom 4

Flooring

9247

DY 16611-Dynasty Tex-SANDY BEIGE-40 oz
Poly***STD***

Comment

Ensuite 4

Cabinet Colour/Style

6318

Viking III-CAMDEN-CAVIAR CL-MAPLE ***STD***

Countertop

8822

4924-38-Countertop-WHITE CARRARA-Wilsonart
STD

Countertop Edge

1111

N/A *****

Cabinet Hardware

2086

9677-HARDWARE ***STD***

Floor Tile

2086

TR.SP.WHITE.1313 SEMPRE White Matte 13

Floor Tile Grout

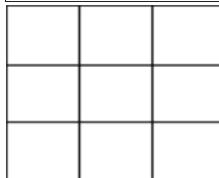
2225

Grout-(27) Silver ***STD***

Floor Tile Pattern

3000

STANDARD SQUARE ***STD***



Plumbing Fixture (colour)

1737

Plumbing Fixtures-WHITE ***STD***

Wall Tile

9020

QT.WV.WHT.0810-Weave-White-8 x 10 ***STD***

Wall Tile Grout

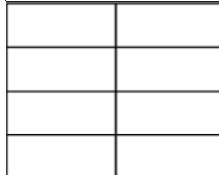
2226

Grout-(00) White ***STD***

Wall Tile Pattern

3070

HORIZONTAL STACKED ***STD***



Comment

Master Ensuite

Customer Colours

KHALID, MUKHTAR RANA/HANA RANA
 Project: Wallaceton
 Unit: 340, Phase: 3
 Model: 25-2500 ALT C The Bridgeport

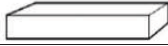
Locked:
 Closed:



Cabinet Colour/Style VIKING III SIMCOE ORCHID 3DL ***STD***

Countertop MSI Quartz GROUP 1 ICED WHITE ***STD***

Countertop Edge GROUP 1 - SINGLE POLISHED STRAIGHT EDGE 3/4 INCH ***1***

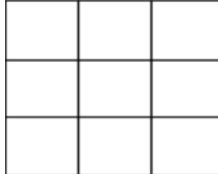


Cabinet Hardware 135-HARDWARE ***STD***

Floor Tile GE.MD.ANT.1818.MT Madison Series Antracite Matte 18

Floor Tile Grout Grout-(19) Pearl Gray ***STD***

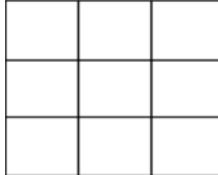
Floor Tile Pattern STANDARD SQUARE ***STD***



Shower Floor Tile OD.ON.SWT.0202.MT.N-Ontario Series Mosaic-Snow White Matte-2 x 2 ***STD***

Shower Floor Tile Grout Grout-(00) White ***STD***

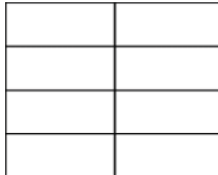
Shower Floor Tile Pattern STANDARD SQUARE ***STD***



Shower Wall Tile QT.WV.WHT.0810-Weave-White-8 x 10 ***STD***

Shower Wall Tile Grout Grout-(00) White ***STD***

Shower Wall Tile Pattern HORIZONTAL STACKED ***STD***



Shower Jamb(s) and Sill(s) Shower Jamb / Sill-Thassos White ***STD***

Plumbing Fixture (colour) Plumbing Fixtures-WHITE ***STD***

Comment

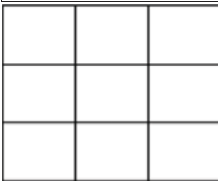
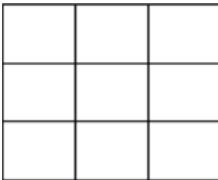
Shared Bathroom

Cabinet Colour/Style Viking II-SLAB PVC EDGE-CAFÉ NOIR-LPL ***STD***

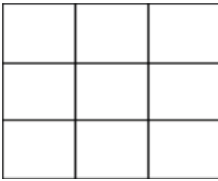
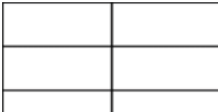
Customer Colours

KHALID, MUKHTAR RANA/HANA RANA
 Project: Wallaceon
 Unit: 340, Phase: 3
 Model: 25-2500 ALT C The Bridgeport

Locked:
 Closed:

Countertop	8822	4924-38-Countertop-WHITE CARRARA-Wilsonart ***STD***
Countertop Edge	1111	N/A *****
Cabinet Hardware	2086	9677-HARDWARE ***STD***
Flooring	2086	TR.SP.WHITE.1313 SEMPRE White Matte 13
Floor Tile Grout	2225	Grout-(27) Silver ***STD***
Floor Tile Pattern	3000	STANDARD SQUARE ***STD*** 
Wall Tile	8833	QT.UW.WHT.0810-Uniwall-White-8 x 10 ***STD***
Wall Tile Grout	2226	Grout-(00) White ***STD***
Shared Bathroom Floor Tile Pattern	3000	STANDARD SQUARE ***STD*** 
Plumbing Fixture (Colour)	1737	Plumbing Fixtures-WHITE ***STD***
Comment		

Opt. Finished Basement Bathroom

Shower Floor Tile	8661	OD.ON.SWT.0202.MT.N-Ontario Series Mosaic-Snow White Matte-2 x 2 ***STD***
Shower Floor Tile Grout	2226	Grout-(00) White ***STD***
Shower Floor Tile Pattern	3000	STANDARD SQUARE ***STD*** 
Shower Wall Tile	9020	QT.WV.WHT.0810-Weave-White-8 x 10 ***STD***
Shower Wall Tile Grout	2226	Grout-(00) White ***STD***
Shower Wall Tile Pattern	3070	HORIZONTAL STACKED ***STD*** 

Customer Colours

KHALID, MUKHTAR RANA/HANA RANA
 Project: Wallaceton
 Unit: 340, Phase: 3
 Model: 25-2500 ALT C The Bridgeport

Locked:
 Closed:

Shower Jamb(s)	8923	Shower Jamb / Sill-Thassos White ***STD***									
Cabinet Colour/Style	9157	Viking III-SIMCOE-MOONLIGHT-3DL ***STD***									
Countertop	8822	4924-38-Countertop-WHITE CARRARA-Wilsonart ***STD***									
Countertop Edge	1111	N/A *****									
Cabinet Hardware	2086	9677-HARDWARE ***STD***									
Flooring	2086	TR.SP.WHITE.1313 SEMPRE White Matte 13									
Floor Tile Grout	2225	Grout-(27) Silver ***STD***									
Floor Tile Pattern	3000	STANDARD SQUARE ***STD***									
		<table border="1"> <tr><td></td><td></td><td></td></tr> <tr><td></td><td></td><td></td></tr> <tr><td></td><td></td><td></td></tr> </table>									
Plumbing Fixture (Colour)	1737	Plumbing Fixtures-WHITE ***STD***									
Comment											

Great Room Fireplace

Type	8869	Majestic MERC32 ***STD***	
Mantle	8891	NF-17-Paint Grade Mantle- Cabinet (Per Plan)-WHITE ***STD***	P 24
Surround Opt.	1111	N/A *****	
Disclaimer	1111	Purchasers have been advised: heat from the FP can damage TV above a FP and items placed on mantle.	
Disclaimer	1111	Heathwood and its contractors will not be liable for any damage on items placed/installed above a FP after closing.	
Comment			

Basement Stairs

Type	1712	Oak Stairs ***1 BASEMENT STAIRS***
Colour	7922	Eclipse (Pewter) STAIN TO COMPLIMENT HARDWOOD AND WILL VARY FROM FLOORING ***99***
Carpet Runner	1111	N/A *****

Customer Colours

KHALID, MUKHTAR RANA/HANA RANA
 Project: Wallaceton
 Unit: 340, Phase: 3
 Model: 25-2500 ALT C The Bridgeport

Created: 3/7/2022 10:54:11

Locked:

Closed:

Handrail/Pickets/Post Type	8148	Single Collar Alt. Plain w/ Shoes with 3 1/2" Square/Cap Post(s)-BLACK ***2***
Handrail/Pickets/Post Colours	7761	Oak Grade-Stain handrail,stringers,treads,risers,nosingpos
Carpet	1111	N/A *****
Custom Stain/Paint	1111	N/A *****
Comment		

Main Stairs

Type	1714	Oak Stairs ***STD MAIN STAIRS***
Colour	7922	Eclipse (Pewter) STAIN TO COMPLIMENT HARDWOOD AND WILL VARY FROM FLOORING ***99***
Carpet Runner	1111	N/A *****
Handrail/Pickets/Posts Type	8148	Single Collar Alt. Plain w/ Shoes with 3 1/2" Square/Cap Post(s)-BLACK ***2***
Handrail/Pickets/Posts Colour	7761	Oak Grade-Stain handrail,stringers,treads,risers,nosingpos
Custom Stain/Paint	1111	N/A *****
Comment		

Throughout

Walls - Paint Colour	1717	22-Wall-WARM GREY ***STD***
Underpad	1079	500 Series-Underpad ***STD***
Thresholds	2232	Metal Thresholds ***STD***
Switches and Plug	5796	Decora White Switches and Plugs ***STD***
Trim Size	8705	4 1/4 Baseboard and 2 3/4 Casings ***STD***
Trim - Paint Colour	1716	Trim-WHITE ***STD***
Comment		

Customer Colours

KHALID, MUKHTAR RANA/HANA RANA
Project: Wallaceton
Unit: 340, Phase: 3
Model: 25-2500 ALT C The Bridgeport

Created: 3/7/2022 10:54:1

Locked:

Closed:



Purchaser:

KHALID, MUKHTAR RANA

Date

Decor Consultant

Date

Purchaser:

HANA RANA

Date

Wallaceton

Date Approved



CONSTRUCTION SUMMARY

Lot: 340

Model: 25-2500 ALT C The Bridgeport

Project/Phase: Wallaceton / 3

Offer	Finished Lower Level with finished bathroom- 792 Sq Ft (The Bridgeport)
Worksheet	Note:

Offer	Ten Thousand Dollars (\$10,000) At D?cor. (No Cash Value) Singles
Worksheet	Note:



CONSTRUCTION SUMMARY

Lot: 340
Model: 25-2500 ALT C The Bridgeport
Project/Phase: Wallaceton / 3

ADMIN FEE

Invoice	Qty.	Description
1025 10May22 NoCat	1	- TEN THOUSAND DOLLARS (\$10,000) AT DECOR (NO CASH VALUE)

ALUMINUM

Invoice	Qty.	Description
1025 314,210 10May22 **	4	- ELECTRICAL - 4 INCH EXTERIOR POTLIGHT IN SOFFIT (120 VOLT NON-INSULATED) MODEL #2550WH SKETCH # 4 ALUMINUM - Provide soffit cutout to accommodate potlight(s)

APPLIANCES

Invoice	Qty.	Description
1025 314,277 10May22 **	1	KITCHEN - GRANITE - GRANITE CUTOUT W/ STRAIGHT EDGE POLISH TO ACCOMMODATE COOK TOP SEE COOKTOP SPECS
1025 10May22 NoCat	1	KITCHEN - AVH-368CS - 36 inch Wall mounted hood CABINETRY - delete stove uppers; ELECTRICAL - delete std range hood; HEATING/AIR CONDITIONING - Du change to 6"

CABINETRY

Invoice	Qty.	Description
1025 334,744 10May22	1	KITCHEN - CABINETRY - VIKING I/II/III KITCHEN BUILT IN - KITCHEN - UPG SKETCH # 3 GRANITE - delete partial countertop due to Built-in
1025 314,277 10May22 **	1	KITCHEN - GRANITE - GRANITE CUTOUT W/ STRAIGHT EDGE POLISH TO ACCOMMODATE COOK TOP SEE COOKTOP SPECS
1025 10May22 ** NoCat	1	KITCHEN - AVH-368CS - 36 inch Wall mounted hood CABINETRY - delete stove uppers; ELECTRICAL - delete std range hood; HEATING/AIR CONDITIONING - Du change to 6"
1025 313,796 10May22	3	KITCHEN - 12B-Pots and pans drawers (width min. 60cm/max. 90cm) (size subject to floor plan) Viking SKETCH # 3
1025 313,904 10May22	1	KITCHEN - 19B-45cm wide pull-out door base cabinet waste/recycle centre with soft-close ([2] 35L bins per unit) (available only with 45cm wide cabinet) Viking RELOCATE STANDARD BANK OF DRAWERS FROM ISLAND TO SERVERY SKETCH # 3
1025 313,800 10May22	1	MASTER ENSUITE - 12D-Vanity bank of drawers (60cm to 90cm wide) Viking SKETCH # 4



CONSTRUCTION SUMMARY

Lot: 340

Model: 25-2500 ALT C The Bridgeport

Project/Phase: Wallaceton / 3

CABINETRY

Invoice	Qty.	Description
1025 328,760 10May22	1	Opt Servery Upper - CABINETRY - VIKING I/II/III - OPT SERVERY UPPER - UPG SKETCH # 3
1025 328,728 10May22	1	KITCHEN - CABINETRY - OPT LIGHT VALANCE (INCLUDE LIGHTING) - KITCHEN (ALL DOOR STYLES) - UPG ELECTRICAL - Complete Kitchen valance light including switch (Luminiz LED slimline strip light)
1025 328,729 10May22	1	Opt Servery Upper - CABINETRY - OPT LIGHT VALANCE (INCLUDE LIGHTING) - OPT SERVERY UPPER (ALL DOOR STYLES) - UPG KITCHEN ELECTRICAL - Complete Servery valance light including switch (Luminiz LED slimline strip light)
1025 329,028 10May22 **	1	KITCHEN / BREAKFAST - HARDWOOD - VINTAGE - 5" RED OAK SCULPTED - KITCHEN / BREAKFAST - UPG CABINETRY - Raise Cabinet; CERAMICS - delete std ceramics
1025 314,410 10May22 **	1	KITCHEN - PLUMBING - KITCHEN SINK UPGRADE - BLANCO KITCHEN SINK QUATRUS U 1 MAXI #401248 (32 INCH X 18 INCH) UNDERMOUNT 1 BOWL 9 INCH DEEP IN STAINLESS STEEL - SEE SPEC PAGE CABINETRY - upgraded kitchen sink; GRANITE - upgraded kitchen sink;
1025 334,727 10May22 **	1	MASTER ENSUITE - PLUMBING - OPTION FROM ONE SINK TO DOUBLE SINKS, INCLUDING STD CHATEAU FAUCET UNDERMOUNT OVALYN SINK ONE EXTRA VANITY LIGHT AND CABINET CONVERSION 2D VIKING SKETCH # 4 CABINETRY-2D Convert Viking; ELECTRICAL-Additional Vanity Light; GRANITE-Additional Cutout



CONSTRUCTION SUMMARY

Lot: 340
Model: 25-2500 ALT C The Bridgeport
Project/Phase: Wallaceton / 3

CERAMICS

Invoice	Qty.	Description
1025 329,028 10May22 **	1	KITCHEN / BREAKFAST - HARDWOOD - VINTAGE - 5" RED OAK SCULPTED - KITCHEN / BREAKFAST - UPG CABINETRY - Raise Cabinet; CERAMICS - delete std ceramics
1025 328,824 10May22	1	FOYER - CERAMICS - FLOOR - FOYER - UPGRADE 6
1025 328,883 10May22	1	POWDER ROOM - CERAMICS - FLOOR - POWDER ROOM - UPGRADE 6
1025 328,831 10May22	1	Garage Entry / Mud Room - CERAMICS - FLOOR - GARAGE ENTRY / MUD ROOM - UPGRADE 6
1025 328,791 10May22	1	KITCHEN - CERAMICS - BACKSPLASH - KITCHEN - UPGRADE 3 NOT TO BE INSTALLED IN SERVERY
1025 314,180 10May22	1	- CERAMICS - ADDITIONAL BACKSPLASH DUE TO INSTALL CHIMENEY HOODFAN IN KITCHEN - KITCHEN - UPGRADE 3
1025 328,812 10May22	1	MASTER ENSUITE - CERAMICS - FLOOR - ENSUITE MASTER - UPGRADE 1

COFFERED CEILING

Invoice	Qty.	Description
1025 328,973 10May22	1	GREAT ROOM - COFFERED CEILING - OPT. COFFERED CEILING - GREAT ROOM DRYWALL - notification; PAINTING- notification

DRYWALL

Invoice	Qty.	Description
1025 328,973 10May22 **	1	GREAT ROOM - COFFERED CEILING - OPT. COFFERED CEILING - GREAT ROOM DRYWALL - notification; PAINTING- notification
1025 314,238 10May22 **	2	- ELECTRICAL - POTLIGHT BUNDLE - 8 X T477GR-W 4 INCH LINE VOLTAGE POTLIGHTS INCLUDES 2 SWITCHES MAIN FLOOR (SEE SLIM LINE FOR BASEMENT) 4 X DINING ROOM ON 1 SWITCH; 6 X GREAT ROOM ON 1 SWITCH; 4 X KITCHEN ON 1 SWITCH; 2 X BREAKFAST AREA ON 1 SWITCH NOTE: STANDARD LIGHT IN BREAKFAST TO REMAIN AS A CAPPED CEILING. SKETCH # 2 DRYWALL - Drywall/Ceiling cutouts for potlights; FRAMING - Frame to accommodate potlights



CONSTRUCTION SUMMARY

Lot: 340

Model: 25-2500 ALT C The Bridgeport

Project/Phase: Wallaceton / 3

ELECTRICAL

Invoice	Qty.	Description
1025 10May22 ** NoCat	1	KITCHEN - AVH-368CS - 36 inch Wall mounted hood CABINENTRY - delete stove uppers; ELECTRICAL - delete std range hood; HEATING/AIR CONDITIONING - Du change to 6"
1025 328,728 10May22 **	1	KITCHEN - CABINENTRY - OPT LIGHT VALANCE (INCLUDE LIGHTING) - KITCHEN (ALL DOOR STYLES) - UPG ELECTRICAL - Complete Kitchen valance light including switch (Luminiz LED slimline strip light)
1025 328,729 10May22 **	1	Opt Servery Upper - CABINENTRY - OPT LIGHT VALANCE (INCLUDE LIGHTING) - OPT SERVERY UPPER (ALL DOOR STYLES) - UPG KITCHEN ELECTRICAL - Complete Servery valance light including switch (Luminiz LED slimline strip light)
1025 314,210 10May22	4	- ELECTRICAL - 4 INCH EXTERIOR POTLIGHT IN SOFFIT (120 VOLT NON-INSULATED) MODEL #2550WH SKETCH # 4 ALUMINUM - Provide soffit cutout to accommodate potlight(s)
1025 314,340 10May22 **	1	KITCHEN - HEATING/AIR - ROUGH-IN GAS LINE FOR GAS STOVE AT MAIN FLOOR (SEE SPECS) (HOOK-UP NOT INCLUDED) LEAVE STANDARD 120 VOLT ELECTRICAL OUTLET ON A SEPARATE CIRCUIT. * STANDARD 220V WILL BE RELOCATED TO BUILT-IN OVEN LOCATION SKETCH # 2 ELECTRICAL - notification
1025 314,223 10May22	1	KITCHEN - ELECTRICAL - ADDITIONAL SWITCH KITCHEN - WITH CAPPED ELECTRICAL AND RELOCATED STANDARD KITCHEN LIGHT AS CAPPED ELECTRICAL CENTERED +/- ABOVE THE ISLAND SKETCH # 2
1025 314,224 10May22	2	- ELECTRICAL - CEILING ROUGH-IN (CAPPED) 10 IN KITCHEN - TO BE CENTERED +/- ON ISLAND WITH RELOCATED STANDARD KITCHEN FIXTURE AS A CAPPED ELECTRICAL 20 TO BE CENTERED +/- IN STAIRWELL ON 2ND FLOOR ON EXISTING HALL SWITCH(S) SKETCH # 2 AND 4
1025 314,232 10May22	1	GREAT ROOM - ELECTRICAL - EXTRA WALL INTERIOR OUTLET ON EXISTING CIRCUIT (DOES NOT INCLUDE KITCHEN OUTLETS) GREAT ROOM - TO BE CENTERED +/- ON WALL ABOVE FIREPLACE APPROX. 70" +/- FROM FLOOR SKETCH # 2
1025 314,242 10May22	2	KITCHEN - ELECTRICAL - RELOCATION OF SWITCHES/LIGHTS (MUST SPECIFY LOCATION) - NOTE: PLUGS CANNOT BE RELOCATED- MUST PURCHASE ADDITIONAL OUTLET. KITCHEN 1) RELOCATE STANDARD KITCHEN FIXTURE AS CAPPED ELECTRICAL TO BE CENTERED +/- ON ISLAND SKETCH # 2 AND 2) RELOCATE STANDARD 220V PLUG TO BUILT-IN OVEN LOCATION. SKETCH # 3
1025 314,238 10May22	2	- ELECTRICAL - POTLIGHT BUNDLE - 8 X T477GR-W 4 INCH LINE VOLTAGE POTLIGHTS INCLUDES 2 SWITCHES MAIN FLOOR (SEE SLIM LINE FOR BASEMENT) 4 X DINING ROOM ON 1 SWITCH; 6 X GREAT ROOM ON 1 SWITCH; 4 X KITCHEN ON 1 SWITCH; 2 X BREAKFAST AREA ON 1 SWITCH NOTE: STANDARD LIGHT IN BREAKFAST TO REMAIN AS A CAPPED CEILING. SKETCH # 2 DRYWALL - Drywall/Ceiling cutouts for potlights; FRAMING - Frame to accommodate potlights
1025 334,727 10May22 **	1	MASTER ENSUITE - PLUMBING - OPTION FROM ONE SINK TO DOUBLE SINKS, INCLUDING STD CHATEAU FAUCET UNDERMOUNT OVALYN SINK ONE EXTRA VANITY LIGHT AND CABINET CONVERSION 2D VIKING SKETCH # 4 CABINENTRY-2D Convert Viking; ELECTRICAL-Additional Vanity Light; GRANITE-Additional Cutout



CONSTRUCTION SUMMARY

Lot: 340

Model: 25-2500 ALT C The Bridgeport

Project/Phase: Wallaceton / 3

FRAMING

Invoice	Qty.	Description
1025 314,238 10May22 **	2	- ELECTRICAL - POTLIGHT BUNDLE - 8 X T477GR-W 4 INCH LINE VOLTAGE POTLIGHTS INCLUDES 2 SWITCHES MAIN FLOOR (SEE SLIM LINE FOR BASEMENT) 4 X DINING ROOM ON 1 SWITCH; 6 X GREAT ROOM ON 1 SWITCH; 4 X KITCHEN ON 1 SWITCH; 2 X BREAKFAST AREA ON 1 SWITCH NOTE: STANDARD LIGHT IN BREAKFAST TO REMAIN AS A CAPPED CEILING. SKETCH # 2 DRYWALL - Drywall/Ceiling cutouts for potlights; FRAMING - Frame to accommodate potlights

GLASS PRODUCTS / MIRRORS

Invoice	Qty.	Description
1025 328,978 10May22	1	MASTER ENSUITE - MIRRORS/GLASS PRODUCTS - UPG TO FRAMELESS CLEAR GLASS WITH D-RING HANDLE IN CHROME - ENSUITE MASTER

GRANITE

Invoice	Qty.	Description
1025 334,744 10May22 **	1	KITCHEN - CABINetry - VIKING I/II/III KITCHEN BUILT IN - KITCHEN - UPG SKETCH # 3 GRANITE - delete partial countertop due to Built-in
1025 328,979 10May22	1	Kitchen / Island / Servery - GRANITE - COUNTERTOP - 3/4" GROUP 1 WITH MITRE EDGE - KITCHEN / ISLAND / SERVERY - UPG KITCHEN
1025 314,277 10May22	1	KITCHEN - GRANITE - GRANITE CUTOUT W/ STRAIGHT EDGE POLISH TO ACCOMMODATE COOK TOP SEE COOKTOP SPECS
1025 314,410 10May22 **	1	KITCHEN - PLUMBING - KITCHEN SINK UPGRADE - BLANCO KITCHEN SINK QUATRUS U 1 MAXI #401248 (32 INCH X 18 INCH) UNDERMOUNT 1 BOWL 9 INCH DEEP IN STAINLESS STEEL - SEE SPEC PAGE CABINetry - upgraded kitchen sink; GRANITE - upgraded kitchen sink;
1025 334,727 10May22 **	1	MASTER ENSUITE - PLUMBING - OPTION FROM ONE SINK TO DOUBLE SINKS, INCLUDING STD CHATEAU FAUCET UNDERMOUNT OVALYN SINK ONE EXTRA VANITY LIGHT AND CABINET CONVERSION 2D VIKING SKETCH # 4 CABINetry-2D Convert Viking; ELECTRICAL-Additional Vanity Light; GRANITE-Additional Cutout



CONSTRUCTION SUMMARY

Lot: 340
Model: 25-2500 ALT C The Bridgeport
Project/Phase: Wallaceton / 3

HARDWOOD

Invoice	Qty.	Description
1025 329,028 10May22	1	KITCHEN / BREAKFAST - HARDWOOD - VINTAGE - 5" RED OAK SCULPTED - KITCHEN / BREAKFAST - UPG CABINETRY - Raise Cabinet; CERAMICS - delete std ceramics
1025 329,027 10May22	1	GREAT ROOM - HARDWOOD - VINTAGE - 5" RED OAK SCULPTED - GREAT ROOM - UPG
1025 329,026 10May22	1	DINING ROOM - HARDWOOD - VINTAGE - 5" RED OAK SCULPTED - DINING ROOM - UPG
1025 329,029 10May22	1	MAIN HALL - HARDWOOD - VINTAGE - 5" RED OAK SCULPTED - MAIN HALL - UPG

HEATING / AIR CONDITIONING

Invoice	Qty.	Description
1025 10May22 ** NoCat	1	KITCHEN - AVH-368CS - 36 inch Wall mounted hood CABINETRY - delete stove uppers; ELECTRICAL - delete std range hood; HEATING/AIR CONDITIONING - Du change to 6"
1025 314,340 10May22	1	KITCHEN - HEATING/AIR - ROUGH-IN GAS LINE FOR GAS STOVE AT MAIN FLOOR (SEE SPECS) (HOOK-UP NOT INCLUDED) LEAVE STANDARD 120 VOLT ELECTRICAL OUTLET ON A SEPARATE CIRCUIT. * STANDARD 220V WILL BE RELOCATED TO BUILT-IN OVEN LOCATION SKETCH # 2 ELECTRICAL - notification

INTERIOR RAILINGS

Invoice	Qty.	Description
1025 329,059 10May22	1	Throughout - INTERIOR RAILING - BLACK METAL - SINGLE COLLAR ALT. PLAIN W/ SHOES WITH 3 1/2" SQUARE/CAP POST(S) AS PER PLAN - THOUGHOUT - UPG PAINTING - notification

INTERIOR STAIRS

Invoice	Qty.	Description
1025 329,062 10May22	1	BASEMENT STAIRS - INTERIOR STAIRS - OAK STAIRS - BASEMENT STAIRS - UPG PAINTING - Paint oak stairs



CONSTRUCTION SUMMARY

Lot: 340
Model: 25-2500 ALT C The Bridgeport
Project/Phase: Wallaceton / 3

PAINTING

Invoice	Qty.	Description
1025 328,973 10May22 **	1	GREAT ROOM - COFFERED CEILING - OPT. COFFERED CEILING - GREAT ROOM DRYWALL - notification; PAINTING- notification
1025 329,059 10May22 **	1	Throughout - INTERIOR RAILING - BLACK METAL - SINGLE COLLAR ALT. PLAIN W/ SHOES WITH 3 1/2" SQUARE/CAP POST(S) AS PER PLAN - THOUGHOUT - UPG PAINTING - notification
1025 329,062 10May22 **	1	BASEMENT STAIRS - INTERIOR STAIRS - OAK STAIRS - BASEMENT STAIRS - UPG PAINTING - Paint oak stairs

PLUMBING

Invoice	Qty.	Description
1025 314,410 10May22	1	KITCHEN - PLUMBING - KITCHEN SINK UPGRADE - BLANCO KITCHEN SINK QUATRUS U 1 MAXI #401248 (32 INCH X 18 INCH) UNDERMOUNT 1 BOWL 9 INCH DEEP IN STAINLESS STEEL - SEE SPEC PAGE CABINETS - upgraded kitchen sink; GRANITE - upgraded kitchen sink;
1025 334,727 10May22	1	MASTER ENSUITE - PLUMBING - OPTION FROM ONE SINK TO DOUBLE SINKS, INCLUDING STD CHATEAU FAUCET UNDERMOUNT OVALYN SINK ONE EXTRA VANITY LIGHT AND CABINET CONVERSION 2D VIKING SKETCH # 4 CABINETS-2D Convert Viking; ELECTRICAL-Additional Vanity Light; GRANITE-Additional Cutout

STRUCTURED WIRING

Invoice	Qty.	Description
1025 314,540 10May22	1	GREAT ROOM - STRUCTURED WIRING - CONDUIT PIPE TO ABOVE FIREPLACE ROUGH-IN 70" +/- FROM FLOOR BESIDE ELECTRICAL PLUG SKETCH # 2
1025 314,550 10May22	1	- STRUCTURED WIRING - TELEPHONE/DATA LINE ROUGH-IN CAT 5E BEDROOM 3 SKETCH #4

THE BRIDGEPORT

ELEVATION C & D | 2,619 SQ. FT.

With 120 sq. ft. of finished Lower Level

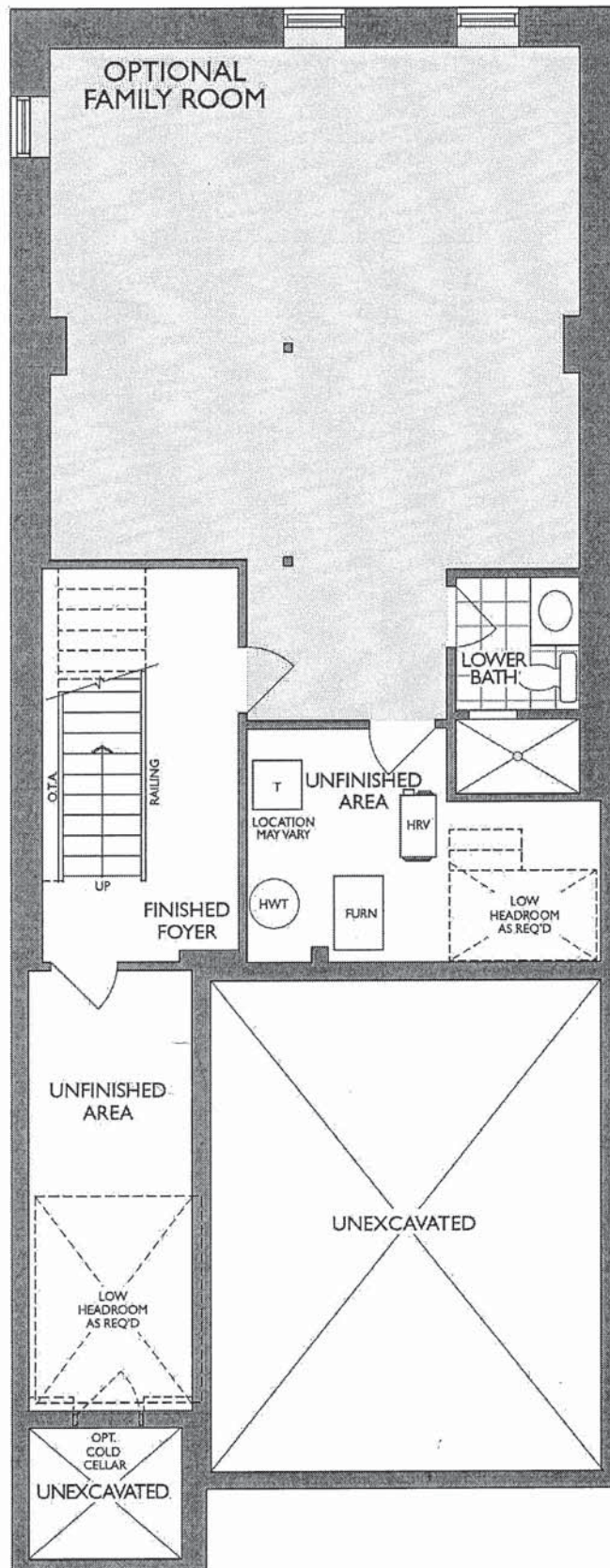
Includes 792 sq. ft. of opt. finished Lower Level

25-2500 ELEV. C ALT

WALLACETON

EST. 1870

Sketch #1



LOWER LEVEL
ELEVATION A, B, C, D

KR HR

THE BRIDGEPORT

ELEVATION C & D | 2,619 SQ. FT.

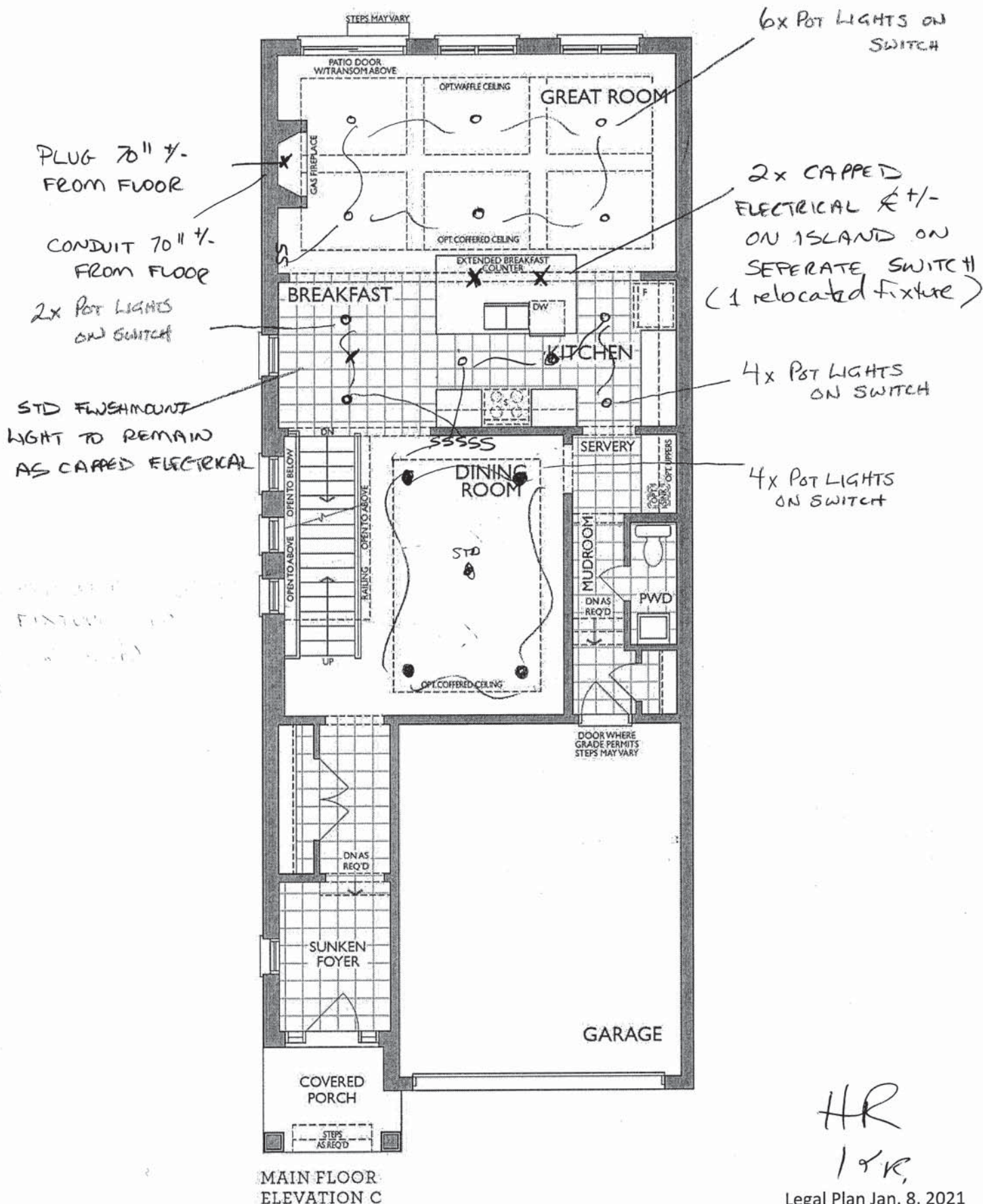
With 120 sq. ft. of finished Lower Level
 Includes 792 sq. ft. of opt. finished Lower Level

WALLACETON

EST. 1870

Sketch #2

25-2500 ELEV. C ALT



HR
 I & R



FRENDEL
KITCHENS LIMITED
1350 Shawson Drive, Mississauga, ON L4W 4V7

Project: Wallaceon
Unit: 340, Phase: 3
Model: 25-2500 ALT C

HEATHWOOD HOMES
WALLACETON, KITCHENER, ON
MODEL: 25-2500 (3105)

STANDARD CONTRACT INCLUDES:

Appliance Openings

- Hood: 30"W builder hood
- Fridge Opening: 37 3/8 "W X 73" D
- Fridge cabinet & gables: 66cm Deep
- **Cooktop: 30"W - Tall Wall Oven**
- Dishwasher Opening: 24"

Standard Kitchens Scope:

- 100cm H wall cabinets
- Std. Blumotion Hinges- **soft close doors**
- Std. Metabox Drawers- **not soft close**
- Min 40cm W drawer
- Base pie cut corner cabinets
- Backing on all cabinets
- Countertop by others
- Upgrade applied paneled fridge & dishwashers supply only (appliance hardware by others)

Standard Vanity & Laundry Scope:

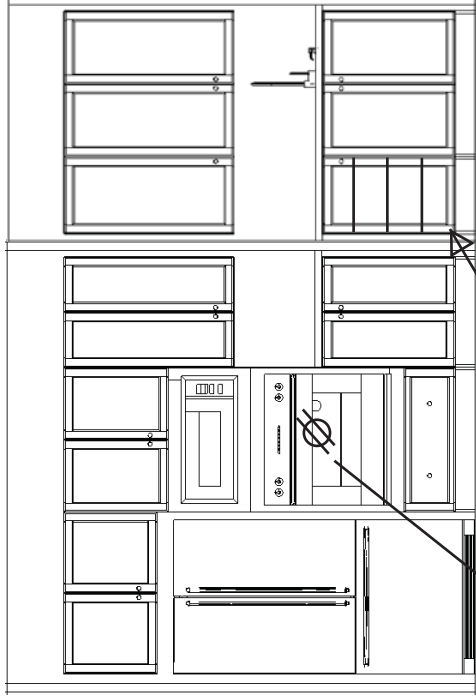
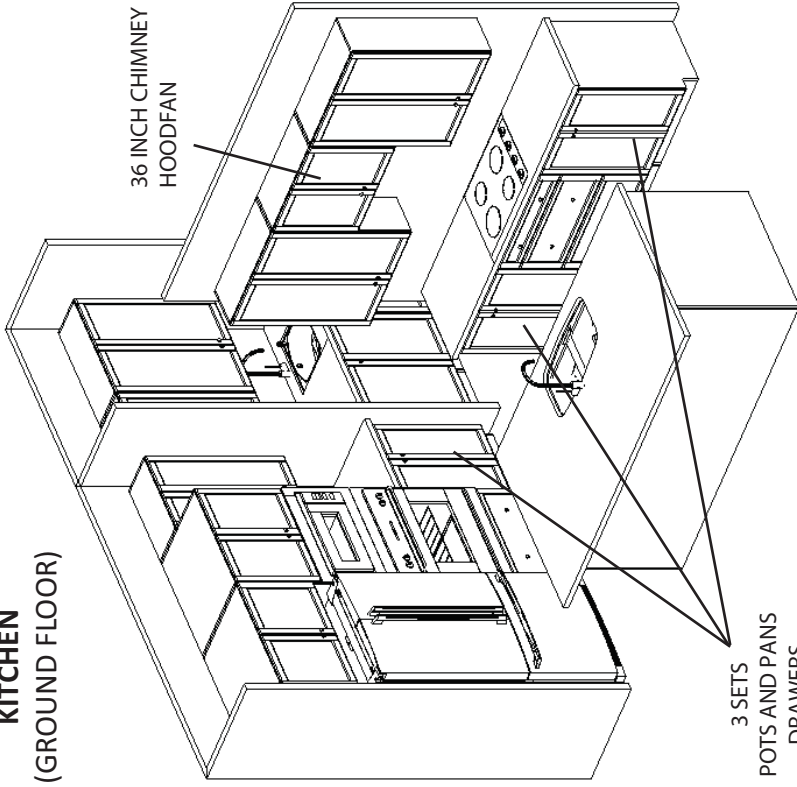
- Powder by others, pedestal
- Master Ens. - Top by others
- Remaining vanities inc. laminate top
- Std. Blumotion Hinges- **not soft close**
- Std. Metabox Drawers- **not soft close**
- Master Ens: Top drawers (Sink Full height)
- Mains: Full height doors (top drawers added if Masters can't accommodate)
- Optional laundry base & wall cabinets

THIS DRAWING IS FOR DESIGN PURPOSES ONLY.
IT IS NOT AN EXACT RENDITION.

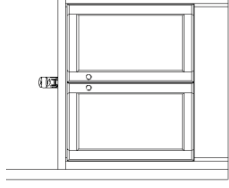
Project: Wallaceon
Unit: 340, Phase: 3
Model: 25-2500 ALT C
The Bridgeport

SERVERY

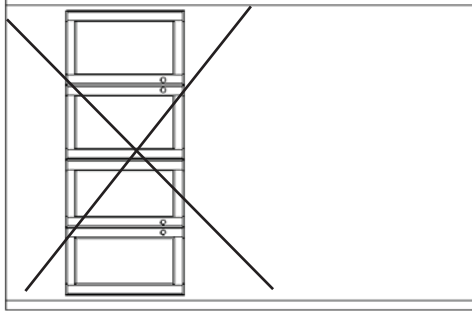
- *STD. BASE CABINETS
- *OPT. BAR SINK
- *OPT. WALL CABINETS



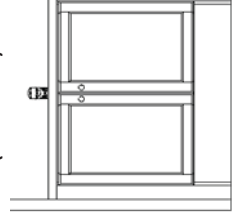
OPT. BASEMENT BATH



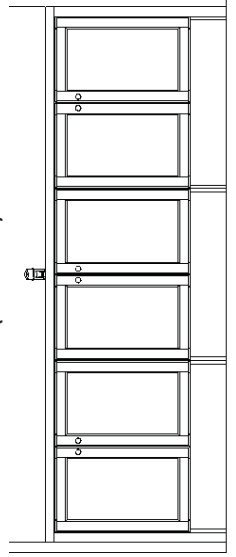
OPT. LAUNDRY UPPERS
(2ND FLR)



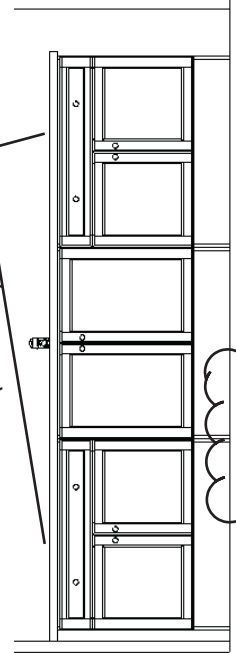
ENSUITE 4
(2ND FLR)



MAIN BATH
(2ND FLR)



MASTER ENSUITE - DOUBLE SINKS AND BANK OF DRAWERS IN BETWEEN TWO SINKS
(2ND FLR)



(OPT. DBL SINK V90+VT90+V90)

2/12/2021

Sketch #4

25-2500 ELEV. C ALT

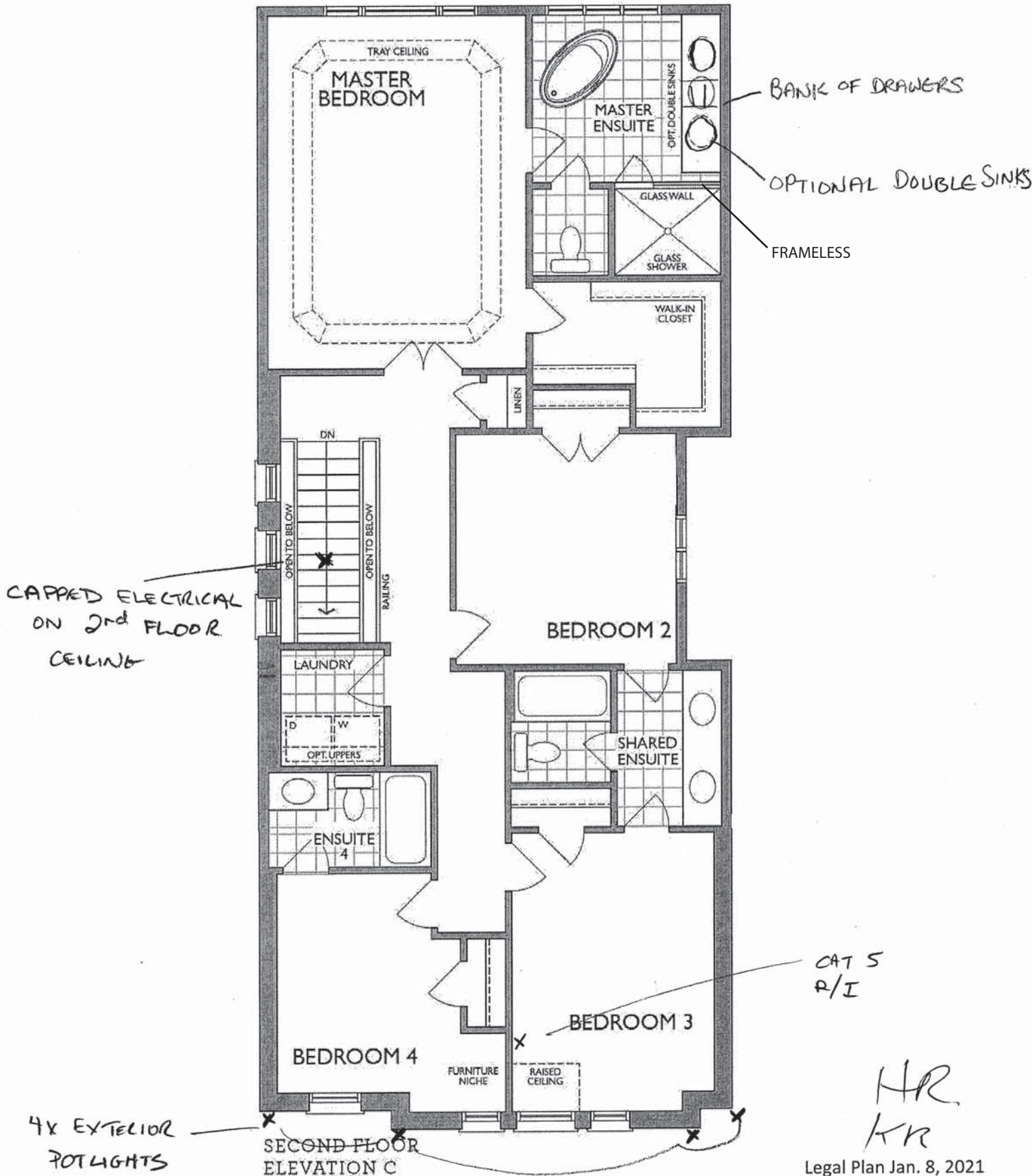
THE BRIDGEPORT

ELEVATION C & D | 2,619 SQ. FT.

With 120 sq. ft. of finished Lower Level
Includes 792 sq. ft. of opt. finished Lower Level

WALLACETON

EST. 1870



HR
KR



NFAS NF17 Mantel CABINET



Sink Specifications

Colour	SKU
brushed finish	401248

Design and planning tips

- Min cabinet size: 36 in (915 mm)
- Bowl Depth: 9 in (230.0 mm)

Specifications:

Installation clips, Sink template, Installation instructions, 3 1/2" (90 mm) stainless steel strainer

Depending on cabinet construction, a different cabinet size may be required. Consult the cabinet manufacturer.

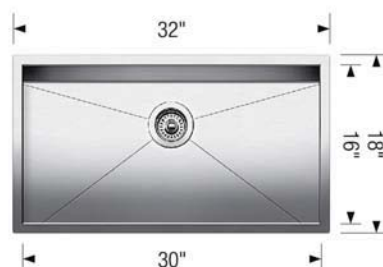
Codes/Standards: ASME A112.19.3-2017/ CSA B45.4-17

Optional Accessories

Elevated Grid	406346
Workstation	406344
CapFlow	517666
Cutting Board	406345
Sink Grid	402125

QUATRUS U 1 SUPER SINGLE

Stainless steel brushed finish



Warranty

Limited lifetime warranty on all sinks and faucets. One-year warranty on all accessories and soap dispensers.

Code/Standards Compliance

BLANCO sinks and faucets are third-party tested and certified to CSA, cUPC, ANSI/ASME, IAPMO and NSF standards and listed by applicable certification bodies. For more information on individual product listings, contact our office or listing organization.



Need support? Learn more by watching our sink & faucet How-to videos:

<https://www.blanco.com/ca-en/support/how-to-videos/how-to-videos-for-sinks/>



BLANCO Canada Inc
100 Corporation Drive
Brampton ON L6S 6B5

Tel & Fax
Tel: 905-494-2400 Toll free: 1-877-425-2626
Fax: 905-494-2425 Toll free: 1-877-825-2626

While BLANCO strives to provide accurate information, all images and dimensions in this document are intended for reference only and are subject to change at any time without notice. This document is not intended for use as an installation guide. For technical installation details, refer to installation instructions provided with the product. BLANCO assumes no responsibility for the use of superseded or voided specifications.



Specifications

FAUCET DESCRIPTION

- Reflex™ pulldown system offers smooth operation, easy movement and secure docking
- Power Clean™ spray technology
- Metal construction with various finishes identified by suffix
- Quick connect installation
- Pulldown spray with 68" braided hose
- Flexible supply lines with 3/8" compression fittings
- High arc spout provides height and reach to fill or clean large pots while pulldown wand provides the maneuverability for cleaning or rinsing
- 360° rotating spout
- Faucet designed for handle to be mounted on right side only

OPERATION

- Lever style handle
- Temperature controlled by 100° arc of handle travel
- Operates with less than 5 lbs. of force
- Operates in stream or spray mode in the pullout or retracted position

FLOW

- Flow is limited to 1.5 gpm (5.7 L/min) max at 60 psi

CARTRIDGE

- 1255™ Duralast™ cartridge

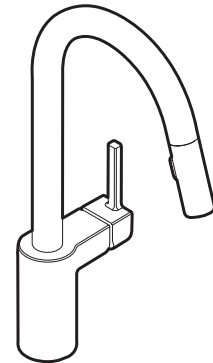
STANDARDS

- Third party certified to IAPMO Green, ASME A112.18.1/CSA B125.1 and all applicable requirements therein including NSF 61/9G & 372
- Meets CalGreen and Georgia SB370 requirements
- Complies with California Proposition 65 and with the Federal Safe Drinking Water Act
- The backflow protection system in the device consists of two independently operating check valves, a primary and a secondary which prevent backflow

- ADA  for lever handle

WARRANTY

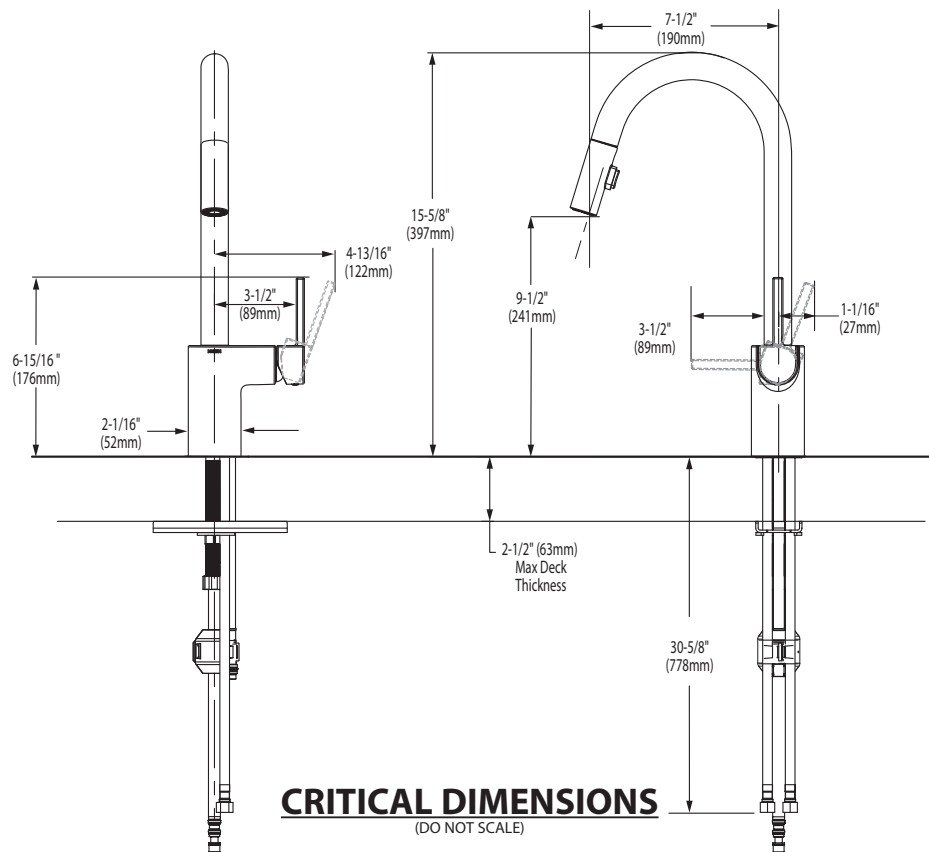
- Lifetime limited warranty against leaks, drips and finish defects to the original homeowner
 - 10 year limited warranty when used in a multifamily installation
 - 5 year limited warranty when used in a commercial installation
- Visit www.moen.com/support for complete details and limitations



ALIGN™
Single Handle High Arc
Pulldown Kitchen Faucet

Models: 7565 series

NOTE: THIS FAUCET IS DESIGNED TO BE INSTALLED THROUGH 1 HOLE, 1-1/2" (38mm) MIN. DIA. (OPTIONAL 3-HOLE ESCUTCHEON 141002 AVAILABLE)





 BARRIER FREE (ABOVE COUNTER OR DROP-IN ONLY)

BOULEVARD®
PEDESTAL SINK
VITREOUS CHINA

BOULEVARD® PEDESTAL SINK

- ~~0641.800 Faucet holes on 8" (203mm) centers (Illustrated)~~
- STD** 0641.400 Faucet holes on 4" (102mm) centers
- ~~0641.100 Center hole only~~
- Classic styled rectangular pedestal lavatory
 - Vitreous china
 - Rear overflow
 - Supplied with mounting kit
 - Right Height® for greater comfort during use
 - Faucet ledge with large deck area (faucet not included)
 - **Design coordinates with Boulevard® Toilet**
 - Basin has flat bottom to also allow use as an **above counter** sink or a **drop-in** sink (with u-shaped cut out)

Nominal Dimensions:

24" x 19" x 35-1/2"
(610 x 483 x 902mm)

- 0641.008 Pedestal top-8" (203mm) centers
- 0641.004 Pedestal top-4" (102mm) centers
- 0641.001 Pedestal top-center hole only
- 0010.000 Pedestal only

Bowl sizes:

17" (432mm) wide,
12-1/2" (318mm) front to back,
5" (127mm) deep

Compliance Certifications -

Meets or Exceeds the Following Specifications:

- ASME A112.19.2 - 2008/CSA B45.1-08



SEE REVERSE FOR ROUGHING-IN DIMENSIONS

To Be Specified:

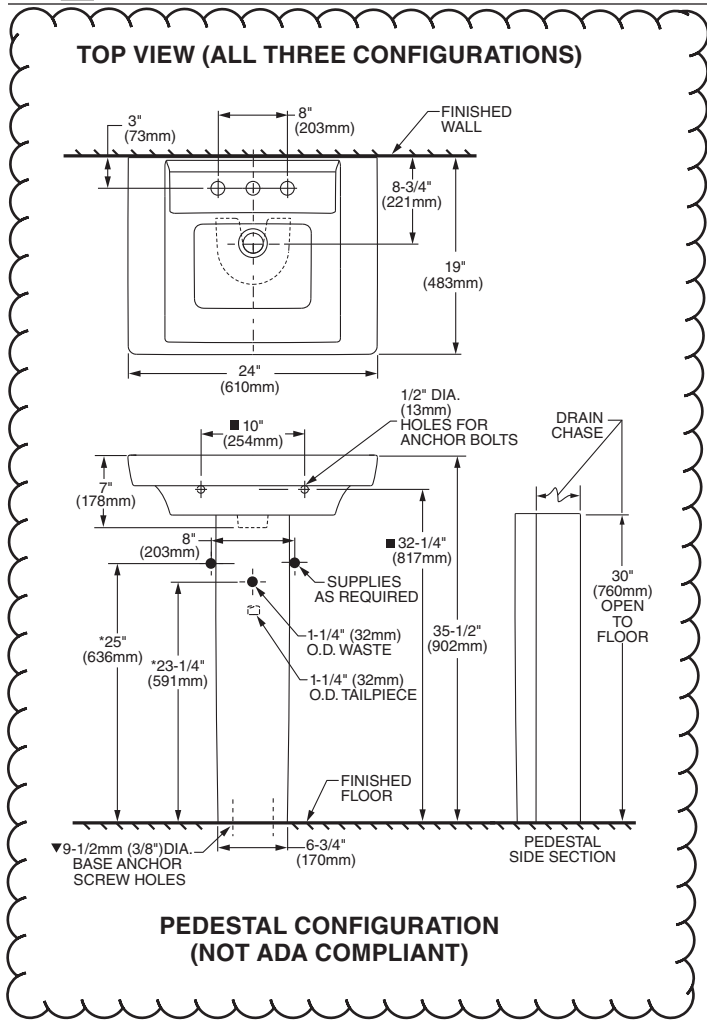
- Color: White Linen
- Faucet Finish:
- Supplies:
- 1-1/4" Trap:
- Nipple:

* See faucet section for additional models available

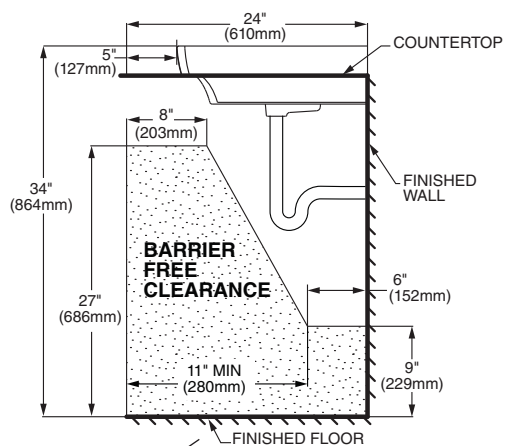
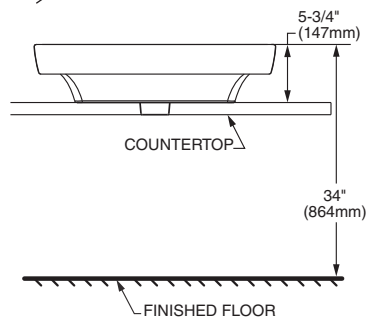


**BOULEVARD®
 PEDESTAL SINK
 VITREOUS CHINA**

BARRIER FREE (ABOVE COUNTER OR DROP-IN ONLY)



ABOVE COUNTER CONFIGURATION



DROP-IN SINK CONFIGURATION

ABOVE COUNTER AND DROP-IN SINK CONFIGURATIONS MEET THE AMERICANS WITH DISABILITIES ACT GUIDELINES AND ANSI A117.1 ACCESSIBLE AND USABLE BUILDINGS AND FACILITIES - CHECK LOCAL CODES.
 Top of sink installed at 34" (864mm) height from finished floor.
 Sink installed 5" (127mm) minimum from front edge of countertop.
 Provide 27" (686mm) knee clearance area.

NOTES:
 * DIMENSIONS SHOWN FOR LOCATION OF SUPPLIES AND "P" TRAPS ARE SUGGESTED.
 ▼ PEDESTAL ANCHORING SCREWS NOT INCLUDED.
 ■ SUITABLE FOR REINFORCEMENT ONLY. ACTUAL DIMENSIONS MUST BE TAKEN FROM FIXTURE.
 FITTING NOT INCLUDED AND MUST BE ORDERED SEPARATELY.
 PROVIDE SUITABLE REINFORCEMENT FOR ALL WALL SUPPORTS.
 INSTALLATION INSTRUCTIONS SUPPLIED WITH LAVATORY.

IMPORTANT: Dimensions of fixtures are nominal and may vary within the range of tolerance established by ANSI Standard A112.19.2. These measurements are subject to change or cancellation. No responsibility is assumed for use of superseded or voided pages.

MASTER ENSUITE X 2

American Standard

Style That Works Better

 BARRIER FREE

OVALYN™
UNDERCOUNTER SINK
VITREOUS CHINA

OVALYN™ UNDERCOUNTER SINK

- Classic oval undermount sink
- Made from vitreous china
- Front overflow
- Supplied with mounting kit (047194-0070A) and template

0495.221 Unglazed rim

435 x 359mm
(17-1/8" x 14-1/8")

0495.300 Glazed underside

Bowl size:

382mm (15-1/16") wide
306mm (12-1/16") front to back
140mm (5-1/2") deep

0496.221 Unglazed rim

489 x 413mm
(19-1/4" x 16-1/4")

0496.300 Glazed underside

Bowl size:

432mm (17") wide
356mm (14") front to back
140mm (5-1/2") deep

0497.221 Unglazed rim

546 x 441mm
(21-1/2" x 17-3/8")

0497.300 Glazed underside

Bowl size:

483mm (19") wide
391mm (15-3/8") front to back
140mm (5-1/2") deep

Compliance Certifications -

Meets or Exceeds the Following Specifications:

- ASME A112.19.2M for Vitreous China Fixtures
- CAN/CSA B45 series

To Be Specified:

- Color: White Bone Linen
 Silver Fawn Beige Black
- Faucet*:
 Faucet Finish:
 Supplies:
 1-1/4" Trap:

* See faucet section for additional models available



STD Master Ensuite Undermount SINGLES

SEE REVERSE FOR ROUGHING-IN DIMENSIONS

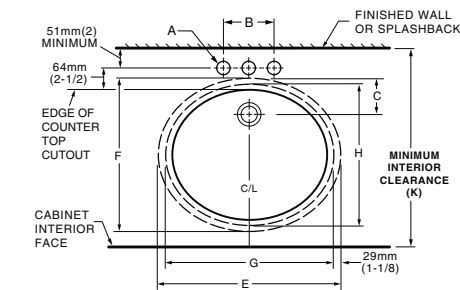
American Standard

Style That Works Better

BARRIER FREE

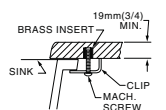
OVALYN™

UNDERCOUNTER SINK
 VITREOUS CHINA



0496/0497

▼ DETAIL OF MOUNTING CLIP
 (KIT No. 047194-0070A)

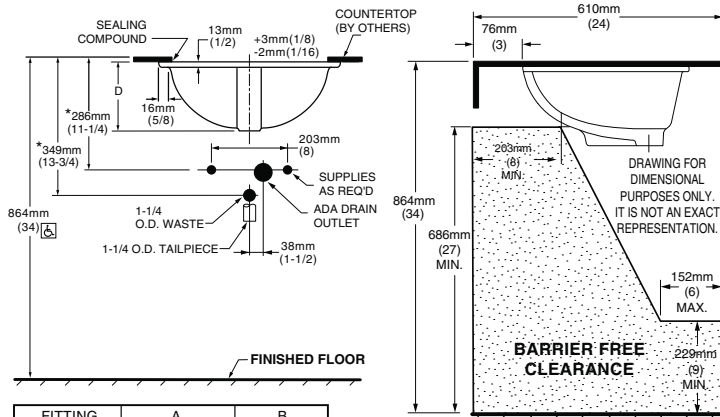


REFER TO INSTRUCTIONS PROVIDED WITH KIT FOR ADDITIONAL INFORMATION

NOTES:

* DIMENSIONS SHOWN FOR LOCATION OF SUPPLIED AND "P" TRAP ARE SUGGESTED.
 ▼ UNDERCOUNTER MOUNTING KIT SUPPLIED WITH SINK.
PLEASE NOTE MINIMUM INTERIOR CLEARANCE DIMENSION (K). FITTINGS NOT INCLUDED AND MUST BE ORDERED SEPARATELY. USE ENCLOSED TEMPLATE FOR COUNTERTOP CUTOUT SEALING COMPOUND SUPPLIED BY OTHERS.

IMPORTANT: Dimensions of fixtures are nominal and may vary within the range of tolerances established by ANSI Standard A112.19.2. These measurements are subject to change or cancellation. No responsibility is assumed for use of superseded or voided pages.

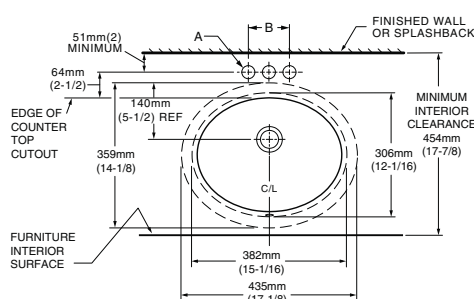


MEETS THE AMERICANS WITH DISABILITIES ACT GUIDELINES AND ANSI A117.1 ACCESSIBLE AND USEABLE BUILDINGS AND FACILITIES - CHECK LOCAL CODES.

Countertop 864mm (34") from finished floor. Lavatory installed 76mm (3") from front edge of countertop. Countertop thickness to be 25mm (1") maximum.

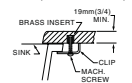
FITTING	A	B
CENTERSET	1-1/4 (32mm)	4 (102mm)
SPREAD	1-3/8 (35mm)	8 (203mm)

CAT. NO.	E	F	G	H	C	D	J	K
0496.221	489mm (19-1/4)	413mm (16-1/4)	432mm (17)	356mm (14)	103mm (4-1/16)	182mm (7-3/16)	16mm (5/8)	500mm (19-11/16)
0497.221	546mm (21-1/2)	441mm (17-3/8)	483mm (19)	391mm (15-3/8)	95mm (3-3/4)	191mm (7-1/2)	19mm (3/4)	534mm (21-1/16)



0495

▼ DETAIL OF MOUNTING CLIP
 (KIT No. 047194-0070A)



REFER TO INSTRUCTIONS PROVIDED WITH KIT FOR ADDITIONAL INFORMATION

FITTING	A	B
CENTERSET	1-1/4 (32mm)	4 (102mm)
SPREAD	1-3/8 (35mm)	8 (203mm)

NOTES:

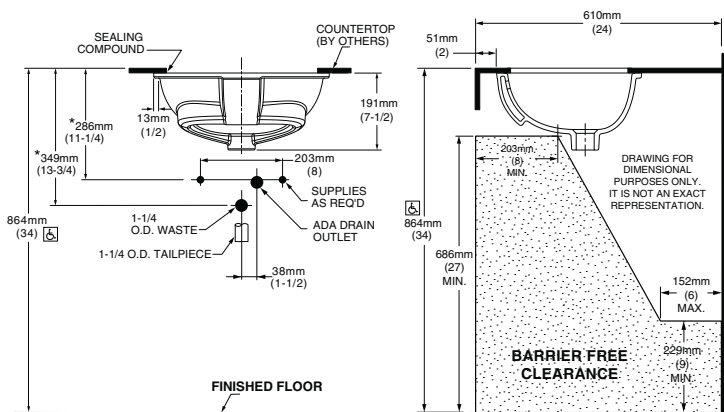
USE ENCLOSED TEMPLATE FOR COUNTER TOP CUTOUT. FITTINGS NOT INCLUDED WITH FIXTURE AND MUST BE ORDERED SEPARATELY.
 * DIMENSIONS SHOWN FOR LOCATION OF SUPPLIED AND "P" TRAP ARE SUGGESTED.
 ▼ UNDERCOUNTER MOUNTING KIT SUPPLIED WITH SINK.
PLEASE NOTE MINIMUM INTERIOR CLEARANCE DIMENSION (K). SEALING COMPOUND SUPPLIED BY OTHERS.

IMPORTANT: Dimensions of fixtures are nominal and may vary within the range of tolerances established by ANSI Standard A112.19.2. These measurements are subject to change or cancellation. No responsibility is assumed for use of superseded or voided pages



MEETS THE AMERICANS WITH DISABILITIES ACT GUIDELINES AND ANSI A117.1 ACCESSIBLE AND USEABLE BUILDINGS AND FACILITIES - CHECK LOCAL CODES.

Countertop 864mm (34") from finished floor. Lavatory installed 51mm (2") from front edge of countertop. Countertop thickness to be 25mm (1") maximum.





BARRIER FREE

COLONY™
COUNTERTOP SINK
 VITREOUS CHINA

COLONY COUNTERTOP SINK

- Vitreous china
- Self-rimming
- Front overflow
- Supplied with template
- Faucet deck
(Faucet shown not included)



0346 803

Faucet holes on 203mm (8") centres

STD

0346 403 (Illustrated)

Faucet holes on 102mm (4") centres

0346 001

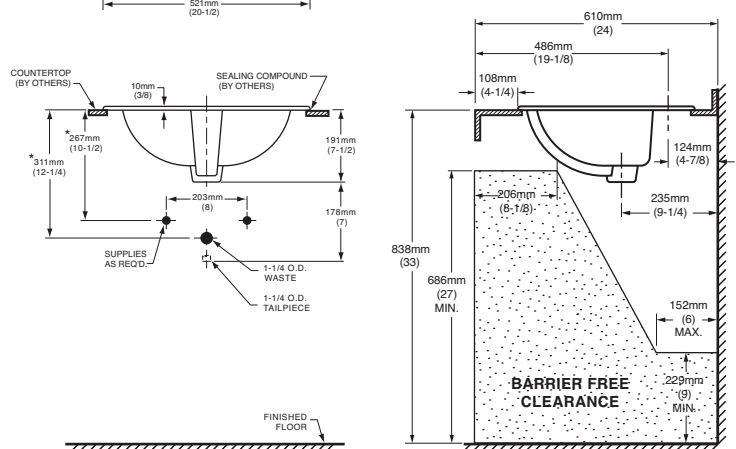
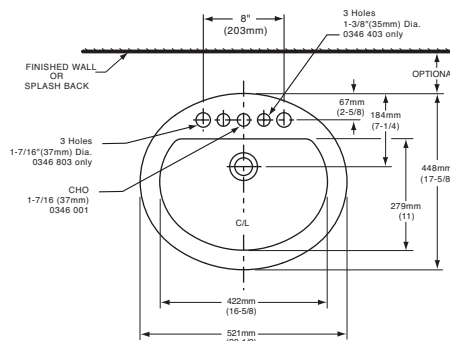
Centre hole only

Nominal Dimensions:

521 x 448mm (20-1/2" x 17-5/8")

Bowl sizes:

422mm (16-5/8") wide, 279mm (11") front to back, 143mm (5-5/8") deep



COMPLIANCE CERTIFICATIONS –

Meets or exceeds the following Specifications:

- ASME A112.19.2M for Vitreous China Fixtures.
- CAN/CSA B45 Series.

To Be Specified

- Colour: White Bone Silver Gray Linen
- Faucet*:
- Faucet Finish:
- Supplies & Stops:
- Trap 1-1/4" (32 mm):

NOTES:

* DIMENSIONS SHOWN FOR LOCATION OF SUPPLIES AND "P" TRAP ARE SUGGESTED. FOR COUNTERTOP CUTOUT AND INSTALLATION INSTRUCTIONS USE TEMPLATE SUPPLIED WITH SINK. FAUCETS NOT INCLUDED AND MUST BE ORDERED SEPARATELY. IMPORTANT: Dimensions of fixtures are nominal and may vary within the range of tolerances established by ANSI Standard A112.19.2. These measurements are subject to change or cancellation. No responsibility is assumed for use of superseded or voided pages.

* See faucet section for additional models available



DEMI™ Product Specification Sheet

Two Piece Freestanding Collection



CF2007 Two Piece Freestanding Soaker

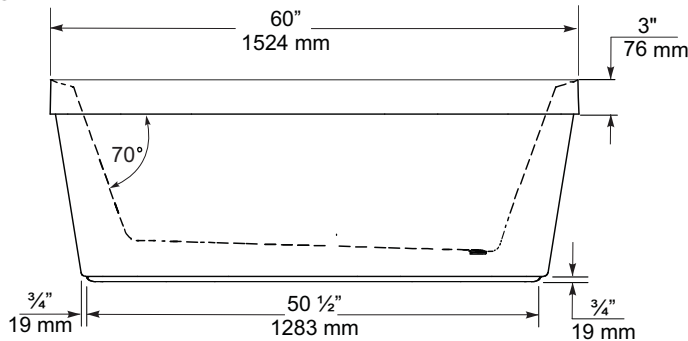
Size: 60" x 32" x 22"
 1524 mm x 813 mm x 559 mm

PRODUCT FEATURES & BENEFITS

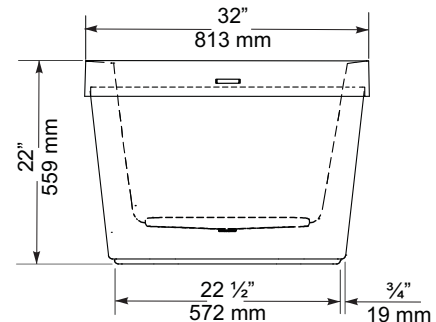
- Vacuum formed acrylic reinforced with fiberglass
- Scratch, stain and fade resistant high gloss finish
- Installation friendly two piece design
- Accepts deck mounted faucet
- Includes integral pop up drain and rectangular overflow
- Includes levelling feet

TWO PIECE ASSEMBLY

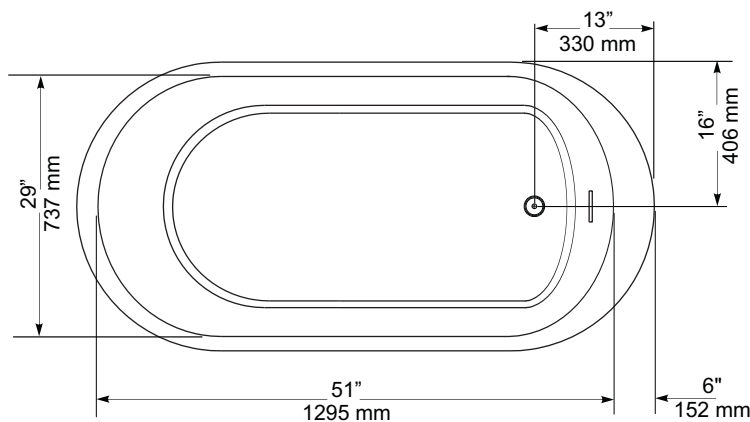
FRONT VIEW



END VIEW



TOP VIEW



GENERAL SPECIFICATIONS

Average Weight	90 lb	41 kg
Bathing Well at bottom	43" x 20"	1092 x 508 mm
Capacity Drain to Overflow		195 litres
Water Depth Drain to Overflow	16"	406 mm
Drain Opening (dia.)	2"	51 mm
Overflow Opening	2 1/4" x 1/2"	57 x 13 mm
Drain to Floor Clearance	3 1/4"	83 mm

NOTES: Please confirm measurements on actual product to ensure proper identification. Bathtub to be installed on the floor supported by 5 self levelling feet. Adjust if required to level the bathtub for adequate drainage. Refer to installation instructions for additional information.

IMPORTANT: Dimensions of fixtures are nominal and may vary ± 1/4" (6 mm). Weight may vary ± 5 lb (2.3 kg). Drawing is not to scale. These measurements are subject to change at manufacturer's discretion.

Compliance Certifications -

Meets or Exceeds the following Specifications:

- CAN/CSA - B45 Series



American Standard

Style That Works Better

FloWise™ DUAL FLUSH ELONGATED TOILET

VITREOUS CHINA

FloWise™ DUAL FLUSH ELONGATED TOILET

2476 216

- Vitreous china
- Low-consumption Dual Flush
 Full flush 6.0 Lpf/1.3 gpf,
 Partial flush 3.0 Lpf/0.66 gpf.
- Elongated wash down bowl
- Internal trapway fully-glazed,
 2-1/4" (57mm) ballpass
- Concealed trapway bowl
- Chrome-plated top mounted
 push button actuator
- Easy to clean sanitary dam on bowl
- Includes Elongated Slow Close Seat
- 100% factory flush tested
- 2 bolt caps

Separate Component Parts:

- 3067 316 Elongated Bowl with Slow Close Seat
- 4035 216 Unlined Tank



2476 516 Same as above with Lined tank

- 3067 316 Elongated Bowl
- 4035 516 Lined Tank

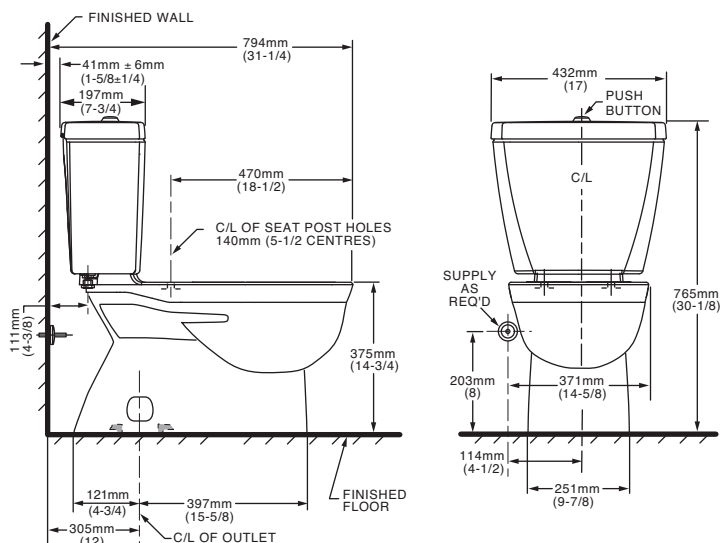
Nominal Dimensions:
 794 x 432 x 765mm
 (31-1/4" x 17" x 30-1/8")

Compliance Certifications - Meets or Exceeds the Following Specifications:

- ASME A112.19.2M (and 19.6M)
- CAN/CSA B45 series

To Be Specified

- Colour: 020 White
- Supply with stop:



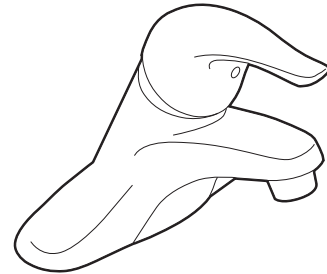
NOTES:

THIS TOILET IS DESIGNED TO ROUGH-IN AT A MINIMUM DIMENSION OF 305MM (12") FROM FINISHED WALL TO C/L OF OUTLET.
 SUPPLY NOT INCLUDED WITH FIXTURE AND MUST BE ORDERED SEPARATELY.
 * DIMENSION SHOWN FOR LOCATION OF SUPPLY IS SUGGESTED.
 FOR ADDITIONAL INFORMATION REFER TO INSTALLATION INSTRUCTIONS SUPPLIED.
 IMPORTANT: Dimensions of fixtures are nominal and may vary within the range of tolerance established by ANSI Standard A112.19.2
 These measurements are subject to change or cancellation. No responsibility is assumed for use of superseded or voided pages.

UPGRADED VALUE ADDED FEATURES AT NO EXTRA CHARGE



Specifications



CHATEAU® Single-Handle Lavatory Faucet

with Metal Waste Assembly

Model: L4625 series
 L4631BC

Bulk Packed (12 per carton):
 L64624 series

with 50/50 Waste Assembly

Bulk Packed (12 per carton):
 L64625 series

Less Waste
Bulk Packed (12 per carton):
 L64600 series

NOTE: THIS FAUCET IS DESIGNED TO BE
 INSTALLED THRU 3-1" DIA. HOLES, 2" ON CENTER



DESCRIPTION

- Metal construction with various finishes identified by suffix
- 16" long 3/8" tubing connections
- Includes metal or 50/50 pop-up type waste assembly where noted

OPERATION

- Pivot action lever style handle
- Temperature controlled through 180° degree arc of handle travel

FLOW

- Flow is limited to 1.5 gpm max (5.7L/min) at 60 psi

CARTRIDGE

- 1225 cartridge design
- Nonmetallic/nonferrous and stainless steel material
- Can accommodate reversed piping and back to back installations

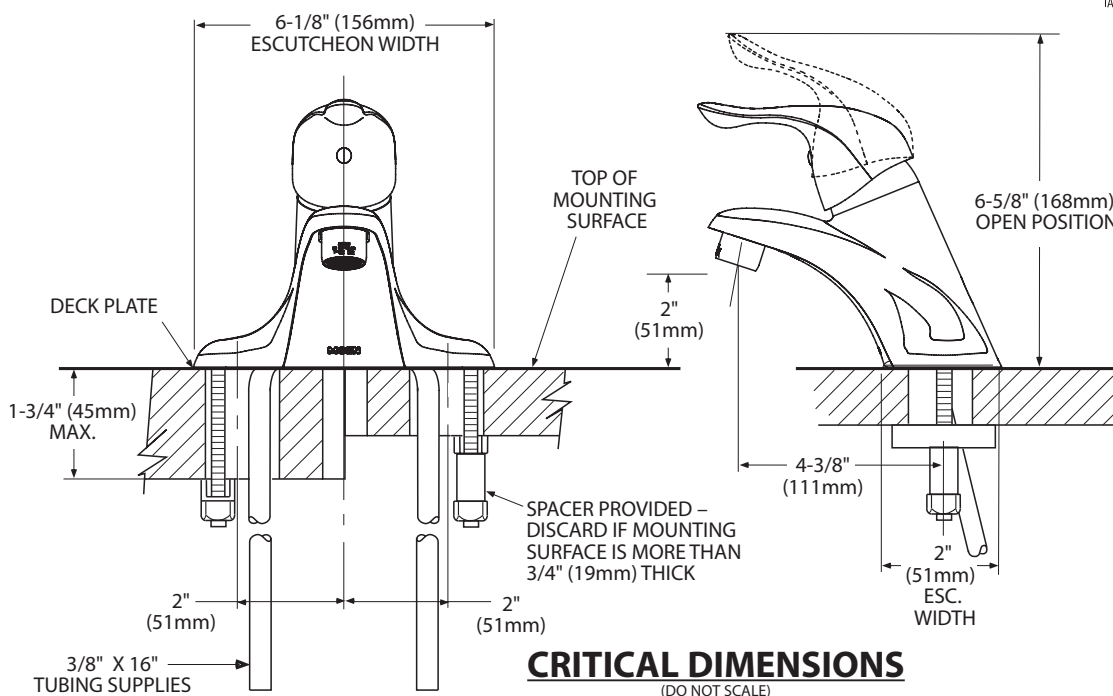
STANDARDS

- Third party certified to WaterSense®, CSA B-125.1, ASME A112.18.1 and all applicable requirements referenced therein including NSF61/9
- Complies with California Proposition 65 and with the Federal Safe Drinking Water Act

- **ADA** for lever handle

WARRANTY

- Lifetime limited warranty against leaks, drips and finish defects to the original consumer purchaser
- 5 year warranty if used in commercial installations





Buy it for looks. Buy it for life.®

*There is more than 1 version of this model.
 Page down to identify the version you have.*

DESCRIPTION

- Metal construction with various finishes identified by suffix
- Includes non-metallic showerhead, arm, flange and non-metallic diverter tub spout

OPERATION

- Handle operates counterclockwise through a 270° arc with off at 6 o'clock and maximum hot at the 9 o'clock position. Shut off in clockwise direction
- Adjustable temperature limit stop to control maximum hot water temperature
- Pressure balancing mechanism maintains selected discharge temperature to ± 3°

FLOW

- Showerhead is limited to 2.5 gpm (9.5 L/min) at 80 psi
- EP suffix models are limited to 1.75 gpm (6.6 L/min) at 80 psi
- NH suffix models contain no showerhead

CARTRIDGE

- 1222 cartridge design
- Accommodates back to back installations
- Nonmetallic/nonferrous and stainless steel material

STANDARDS

- Third party certified to meet ASME A112.18.1/CSA B125.1 and all applicable requirements referenced therein
- EP suffix models are third party certified to WaterSense®

- **ADA** for lever handle

WARRANTY

- Lifetime limited warranty against leaks, drips and finish defects to the original consumer purchaser
- 5 year warranty if used in commercial installations

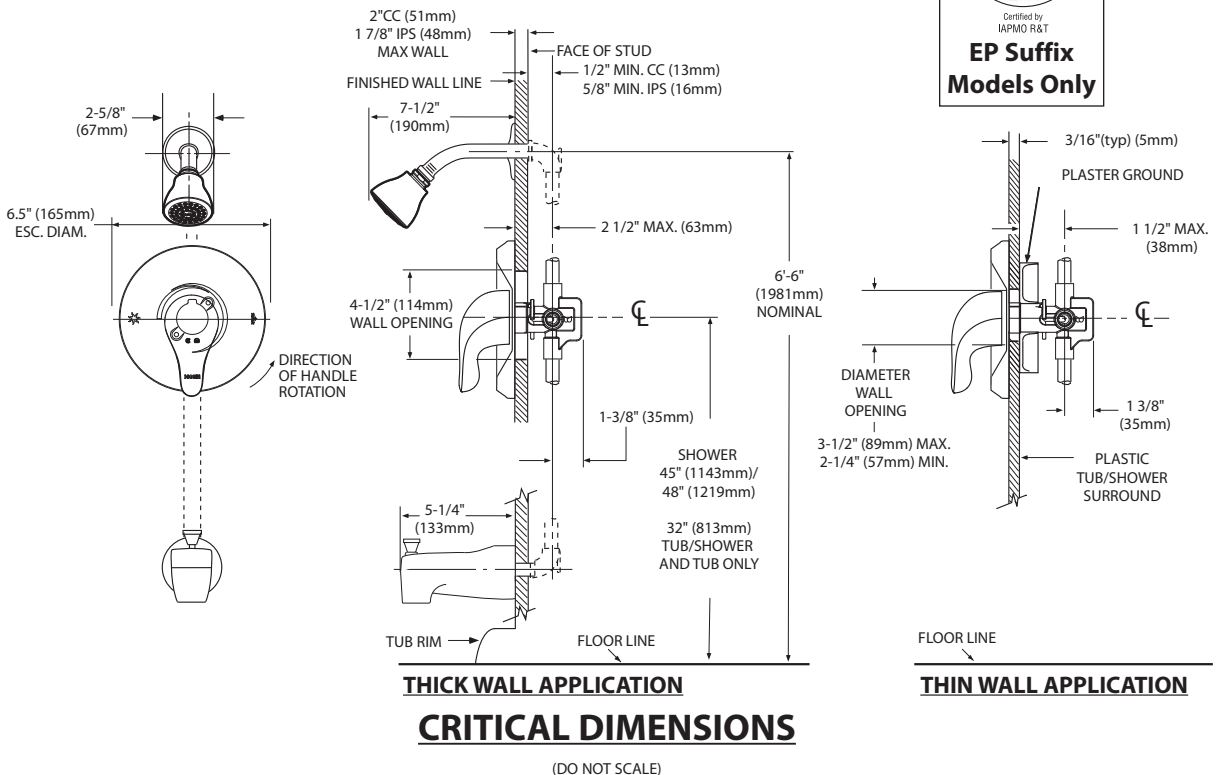
Specifications



**CHATEAU® POSI-TEMP®
 Single-Handle Tub/Shower Trim Kit**

- Models:** TL181 series - valve trim only
 (Bulk Packed 12 per carton)
 TL182 series - shower trim only
 (Bulk Packed 12 per carton)
 TL183 series - tub/shower trim
 (Bulk Packed 12 per carton)

- Valves:** 62300 series
 2500 series





Specifications

DESCRIPTION


- Metal construction with various finishes identified by suffix

OPERATION

- Lever style handles with hot and cold color indicator
- Rotate hot side handle counterclockwise to open (clockwise to close) and the cold side handle (clockwise to open) and (counterclockwise to close)

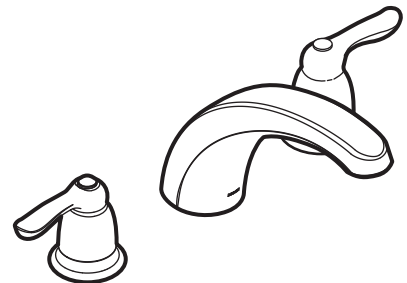
STANDARDS

- Third party certified to: ASME A112.18.1/CSA B-125.1, and all applicable requirements referenced therein

- ADA  for lever handles

WARRANTY

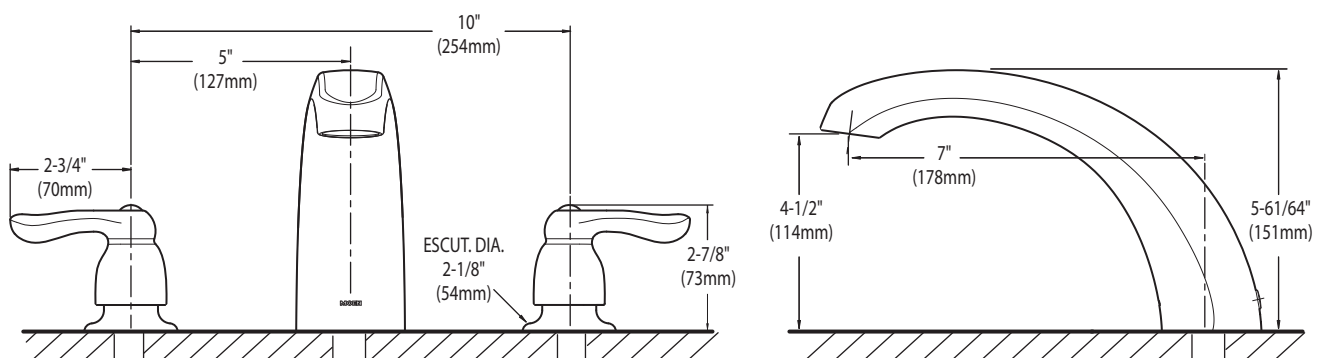
- Lifetime limited warranty against leaks, drips and finish defects to the original homeowner
 - 10 year limited warranty when used in a multi-family installation
 - 5 year limited warranty when used in a commercial installation
- Visit www.moen.com/support for complete details and limitations



CHATEAU®
Two-Handle Garden Tub Trim

Models: T994 series

Valves: 4792, 4793, 4794, 4796, 4797, 4798



CRITICAL DIMENSIONS

(DO NOT SCALE)

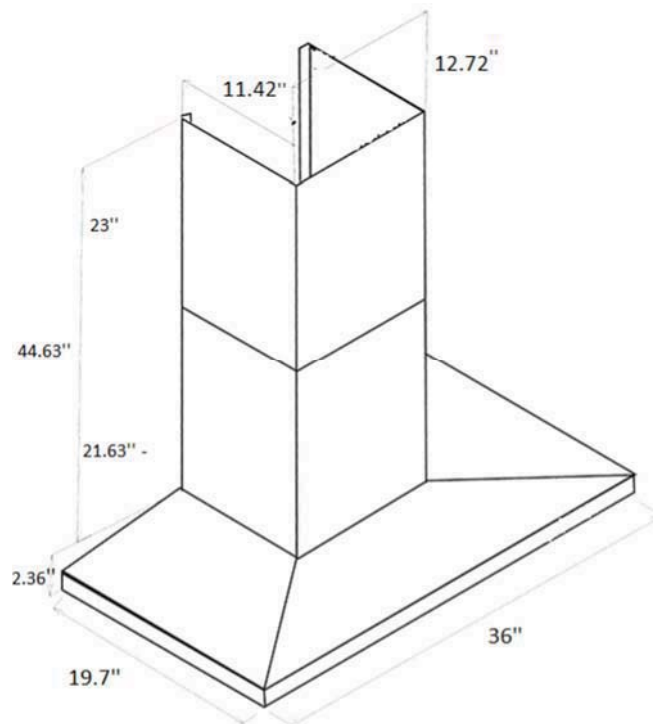
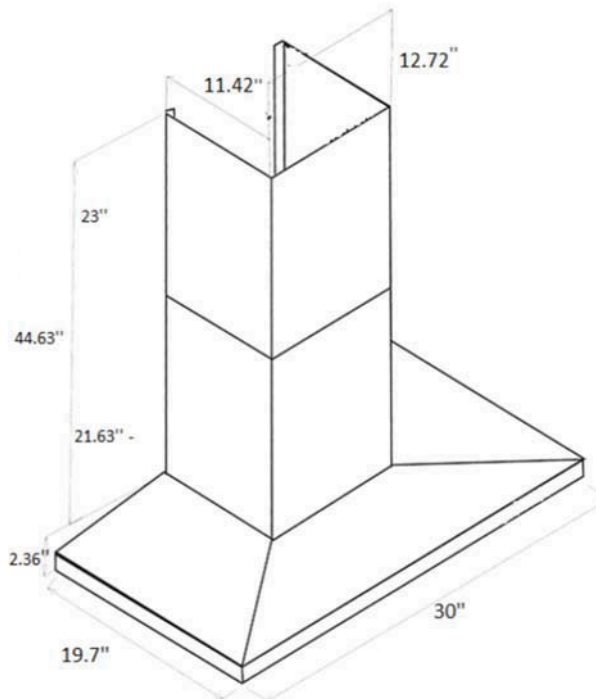


AVH-368CS
 36" Wall mounted hood

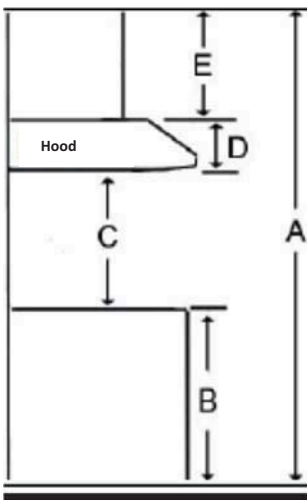


Selected Model	
Model number	AVH-368CS
Dimensions	
Dimensions	35 1/2" (W) x 19 3/4" (D) x 3 1/4" (H)
Exterior Appearance	
Stainless steel grade	201
Features	
Control	Soft touch with LED display
Lighting	2 bulbs, 3W LED (bulbs included)
Blower type	860 CFM, 6-Speed
Blower performance	Speed 1, 2.4 sones Speed 6, 6.2 sones
Filter type	3 aluminium superior micro hole filters and stainless steel baffle filters included
Duct transition	6" Round (Top)
Ducting	Ducted
Chimney (ducted out)	For ceiling heights up to 9'0"
Electrical Requirements	
Electrical requirements	120V / 60Hz / 2.7 Amps
Accessories (optional)	
Optional duct covers	AD-884S (884mm, AVN-AVH compatible)
Warranty	
1-year Warranty	Parts and labour, in-home service

Dimensions



Installation



A	Floor to ceiling height	variable
B	Floor to counter top height (standard)	36"
C	Recommended height between cooking surface and bottom of the hood	28" to 30"
D	Hood height	2.36"
E	Chimney height	Max 44.63"

Duct transition

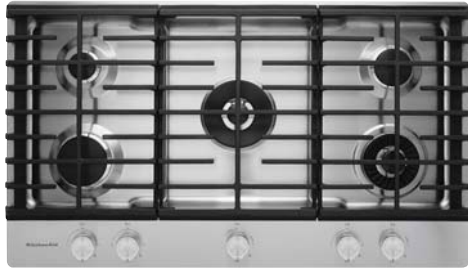
6" round top



The information contained herein is based on sources that we believe to be reliable, but is not guaranteed by us, may be incomplete and/or may change without notice.



36" Gas Cooktop KCGS956E



Stainless Steel
 KCGS956ESS

General Features & Properties

- Full-Width Cast-Iron Grates
- Electronic Ignition and Automatic Reignition
- 20K BTU Professional Dual Ring Burner
- 10K BTU Even-Heat™ Torch Burner
- Removable Griddle Included
- Multi-Finish Back-Lit Knobs

Electrical Details

Amps	15
Volts	120

Certifications

ADA Compliant	Yes
---------------	-----

Technical Details

Fuel Type	Gas
Number of Burners/Elements	5
Burner/Element Power	(1) 20,000 BTU (1) 12,000 BTU (1) 6000 BTU (1) 10,000 BTU (1) 7000 BTU
Burner/Element Type/Size	Professional Dual Tier, Burner, Simmer, Even-Heat™

Dimensions

Product Dimensions (H x W x D)	3-11/16" x 36-1/4" x 21"
Cutout Dimensions (W x D)	35-5/8" x 20"

Reference Material

[Dimension Guide](#)

[Install Guide](#)

[Use & Care Guide](#)

[Warranty](#)

Key Features & Benefits

LP Conversion Kit Included

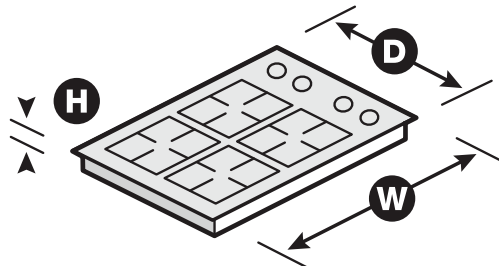
Allows you to convert the cooktop so it can be used with LP gas.

CookShield Finish

Protects the cooktop from stains that may occur with high temperature cooking. The permanent finish makes it easy to wipe clean without harsh chemicals so it looks clean, bright and beautiful even longer.

6K BTU Even-Heat™ Simmer Burner

A diffuser plate allows more control of the flame at the lowest setting, for more precise simmering and melting.



*Compared to cooktops untreated with KitchenAid® CookShield Finish. NOTE: Dimensions are for planning purposes only. For complete details, see Installation Instructions packed with product. Specifications subject to change without notice.

©/™ © 2020. All rights reserved. Printed in the U.S.A. D200104XXE. KCGS956ESpecSheetV01.



30" Combination Wall Oven

KOCE500E



Stainless Steel
 KOCE500ESS

Capacity

Oven 6.4 cu. ft.

General Features & Properties

Temperature Probe

EasyConvect™ Conversion System

5.0 Cu. Ft. Total Capacity (lower oven)

1.4 Cu. Ft. Capacity (upper oven)

Crispwave™ Microwave Technology and Crisper Pan (upper oven)

SatinGlide™ Roll-Out Extension Rack (lower oven)

Electrical Details

Amps 40

Volts 240

Technical Details

Fuel Type Electric

Oven Type Combination

Number of Oven Racks 3

Cleaning Type Adjustable Self-Cleaning

Dimensions

Product Dimensions (H x W x D) 42-1/2" x 30" x 27-1/8"

Depth with Door Open 90° 46-3/4"

Cutout Dimensions (H x W x D) 41-5/16" x 28-1/2" x 24"

Reference Material

[Dimension Guide](#)

[Install Guide](#)

[Use & Care Guide](#)

[Warranty](#)

Also available in:

- White **KOCE500EWH**
- Black **KOCE500EBL**
- Black Stainless **KOCE500EBS**

Key Features & Benefits

Even-Heat™ True Convection Oven (lower oven)

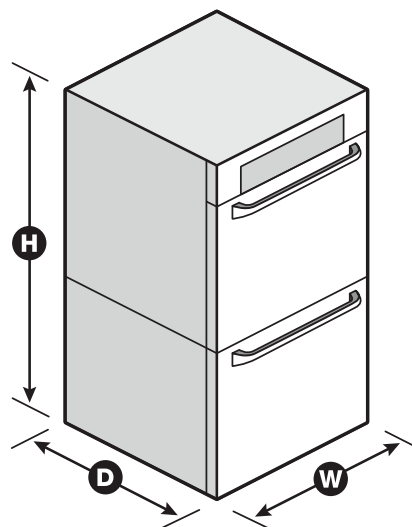
Provides consistent heating and even cooking on all racks with a unique bow-tie shaped design and convection fan that helps ensure the most even baking.

Microwave Convection Cooking (upper oven)

Increases the speed of cooking and provides a secondary convection cooking option.

Professionally-Inspired Design

Combines a bold blend of professionally-inspired styling with sleek touches for the home. This beautiful built-in wall oven features Satin Textured Handles and the KitchenAid® Badge, a symbol of uncompromised quality.



NOTE: Dimensions are for planning purposes only. For complete details, see Installation Instructions packed with product. Specifications subject to change without notice.

©/™ © 2020. All rights reserved. Printed in the U.S.A. D200104XXE. KOCE500ESpecSheetV01.