

**PRE-Sales Selection Sheet
Checklist**

1 of 32

LOT 383 Model: 25-2140 Alt A The Wallace PURCHASERS: LUO CHEN/TING, TING CHEN VENDOR: Heathwood Homes (Huron) Limited

- FINISHED BASEMENT
- COLD CELLAR

UPGRADED / MODIFIED ELEVATION

- CORNER UPGRADE
- REAR UPGRADE

CEILING UPGRADE - SMOOTH

- MAIN FLOOR
- SECOND FLOOR
- BASEMENT

ADDITIONAL ROUGH-INS

- 200 AMP SERVICE
- WET BAR ROUGH-IN
- HUMIDIFIER
- AIR CONDITIONING

GAS ROUGH-IN

- STOVE
- DRYER
- BBQ
- ADDITIONAL FIREPLACE

KITCHEN: HOODFAN VENTING SIZE

- 6 IN ROUND DUCT
- 7 IN ROUND DUCT

FULL BASEMENT STAIRS:	Paint Grade
UPPER BASEMENT STAIRS:	N/A
LOWER BASEMENT STAIRS:	N/A
MAIN STAIRS:	All Oak
MEDIA STAIRS (if applicable):	N/A
LOFT STAIRS (if applicable):	N/A

Nov. 24 2021 

 Date Purchaser:

Nov 24 21 

 Date Decor Consultant:

 Date Purchaser:

APPROVED

-03- 03 2022 

 Date Heathwood Homes (Huron) Limited
 Approved

Locked Date:

Customer Colours

361

LUO CHEN/TING, TING CHEN
 Project: Wallaceton
 Unit: 383, Phase: 3
 Model: 25-2140 Alt A The Wallace


Created: 11/10/2021 11:04:19

Locked:

Closed:


2 of 32

Kitchen

Cabinet Colour/Style	9111	VIKING III SIMCOE ORCHID 3DL ***STD***
Countertop	9069	MSI Quartz GROUP 1 ICED WHITE ***STD***
Countertop Edge	4010	SINGLE POLISHED STRAIGHT EDGE 3/4 INCH ***STD*** 
Cabinet Hardware	2086	9677-HARDWARE ***STD***
Island Cabinet Colour/Style	9111	VIKING III SIMCOE ORCHID 3DL ***STD***
Island Countertop	9069	MSI Quartz GROUP 1 ICED WHITE ***STD***
Backsplash	1111	N/A *****
Backsplash Grout	1111	N/A *****
Backsplash Tile Pattern	1111	N/A *****
HoodFan	9393	SCB51930-CYCLONE 30 inch CANOPY CHIMNEY HOODFAN-SS <i>PAGES 31-32</i>
Appliance	8894	Purchasers have been advised: standard fridge opening is a minimum 37 3/8 x 73 3/8". Ice Waterline Rough-In is included.
Appliance	8894	Standard stove opening is 30" and standard dishwasher opening is 24". Any gas stove will require backsplash or stainless steel backing to avoid fire hazards.
Appliance	8894	Purchasers acknowledge: Heathwood Homes and its contractors will not be responsible for any kitchen cabinet changes due to appliances dimension changes after
Comment		

C-C

Kitchen/Breakfast

Flooring	8894	TR.SP.WHITE.1313 SEMPRE White Matte 13
Floor Tile Grout	2225	Grout-(27) Silver ***STD***
Floor Tile Pattern	3000	STANDARD SQUARE ***STD*** 

Customer Colours

361

LUO CHEN/TING, TING CHEN
Project: Wallaceton
Unit: 383, Phase: 3
Model: 25-2140 Alt A The Wallace

Created: 11/10/2021 11:04:19

Locked:

Closed:

3 of 32

Comment

Foyer

Flooring

8244

OV.CX.WHT.1224.PL-Carrara X-White Polished-12 x 24
See Tile Direction on Sketch 2 Page 16 ***5***

Floor Tile Grout

7705

Grout-(01) Alabaster ***UPG***

Floor Tile Pattern

3050

SIDE TO SIDE ***STD***

Comment

Laundry Room

Flooring

3050

TR.SP.WHITE.1313 SEMPRE White Matte 13

Floor Tile Grout

2225

Grout-(27) Silver ***STD***

Floor Tile Pattern

3000

STANDARD SQUARE ***STD***

Comment

Laundry Room Opt.

Cabinet - Uppers

1111

N/A *****

Cabinet Hardware

1111

N/A *****

Comment

LC

Mud Room

Flooring

1111

TR.SP.WHITE.1313 SEMPRE White Matte 13

Customer Colours

361

LUO CHEN/TING, TING CHEN
Project: Wallaceton
Unit: 383, Phase: 3
Model: 25-2140 Alt A The Wallace

Created: 11/10/2021 11:04:19

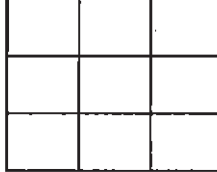
Locked:

Closed:

4 of 32

Floor Tile Grout 2225 Grout-(27) Silver ***STD***

Floor Tile Pattern 3000 STANDARD SQUARE ***STD***



Comment

Powder Room

Flooring 3000 TR.SP.WHITE.1313 SEMPRE White Matte 13

Floor Tile Grout 2225 Grout-(27) Silver ***STD***

Floor Tile Pattern 3000 STANDARD SQUARE ***STD***



Plumbing Fixture (Colour) 1737 Plumbing Fixtures-WHITE ***STD***

Comment

Dining Room/Hall

Flooring 7498 Red Oak Pearl-Vintage
Engineered-GRYPHON/IRONGATE-3/4 inch x 3 1/4 inch

Comment

Dining Room/Hall

Flooring 1111 N/A *****

Comment

L-L

Great Room

Flooring 7498 Red Oak Pearl-Vintage
Engineered-GRYPHON/IRONGATE-3/4 inch x 3 1/4 inch

Comment

Customer Colours

361

LUO CHEN/TING, TING CHEN
Project: Wallaceton
Unit: 383, Phase: 3
Model: 25-2140 Alt A The Wallace

Created: 11/10/2021 11:04:19

Locked:

Closed:

5 of 32

Upper Hall

Flooring DY 87354-Dynasty Tex-OVERCAST-40 oz Poly***STD***

Comment

Opt. Finished Basement (Rec) Room/Hall

Flooring N/A *****

Comment

Master Bedroom

Flooring DY 87354-Dynasty Tex-OVERCAST-40 oz Poly***STD***

Comment

Bedroom 2

Flooring DY 87354-Dynasty Tex-OVERCAST-40 oz Poly***STD***

Comment

Bedroom 3

Flooring DY 87354-Dynasty Tex-OVERCAST-40 oz Poly***STD***

Comment

L.C

Bedroom 4

Flooring DY 87354-Dynasty Tex-OVERCAST-40 oz Poly***STD***

Comment

LUO CHEN/TING, TING CHEN
 Project: Wallaceton
 Unit: 383, Phase: 3
 Model: 25-2140 Alt A The Wallace

Created: 11/10/2021 11:04:19

Locked:

Closed:

6 of 32

Master Ensuite

Cabinet Colour/Style 9160 Viking III-MUSKOKA-RAIN CLOUD-3DL ***STD***

Countertop 9069 MSI Quartz GROUP 1 ICED WHITE ***STD***

Countertop Edge 4010 GROUP 1 - SINGLE POLISHED STRAIGHT EDGE 3/4 INCH ***1***

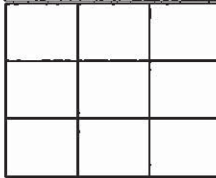


Cabinet Hardware 7672 135-HARDWARE ***STD***

Floor Tile 7672 TR.SP.WHITE.1313 SEMPRE White Matte 13

Floor Tile Grout 2225 Grout-(27) Silver ***STD***

Floor Tile Pattern 3000 STANDARD SQUARE ***STD***



Shower Floor Tile 8661 OD.ON.SWT.0202.MT.N-Ontario Series Mosaic-Snow White Matte-2 x 2 ***STD***

Shower Floor Tile Grout 2226 Grout-(00) White ***STD***

Shower Floor Tile Pattern 3000 STANDARD SQUARE ***STD***



Shower Wall Tile 9020 QT.WV.WHT.0810-Weave-White-8 x 10 ***STD***

Shower Wall Tile Grout 2226 Grout-(00) White ***STD***

Shower Wall Tile Pattern 3090 VERTICAL STACKED ***STD***



Shower Jamb(s) and Sill(s) 8923 Shower Jamb / Sill-Thassos White ***STD***

Plumbing Fixture (colour) 1737 Plumbing Fixtures-WHITE ***STD***

Comment

C.G

Customer Colours

361

LUO CHEN/TING, TING CHEN
 Project: Wallaceton
 Unit: 383, Phase: 3
 Model: 25-2140 Alt A The Wallace

Created: 11/10/2021 11:04:19

Locked:

Closed:

7 of 32

Main Bathroom

Cabinet Colour/Style Viking III-MUSKOKA-RAIN CLOUD-3DL ***STD***

Countertop 4924-38-Countertop-WHITE CARRARA-Wilsonart ***STD***

Countertop Edge N/A *****

Cabinet Hardware 135-HARDWARE ***STD***

Flooring TR.SP.WHITE.1313 SEMPRE White Matte 13

Floor Tile Grout Grout-(27) Silver ***STD***

Floor Tile Pattern STANDARD SQUARE ***STD***

Wall Tile QT.WV.WHT.0810-Weave-White-8 x 10 ***STD***

Wall Tile Grout Grout-(00) White ***STD***

Main Bathroom Tile Pattern HORIZONTAL STACKED ***STD***

Plumbing Fixture (Colour) Plumbing Fixtures-WHITE ***STD***

Comment

Opt. Shower Floor Tile N/A *****

Shower Floor Tile Grout N/A *****

Shower Floor Tile Pattern N/A *****

CC

Shower Wall Tile N/A *****

Shower Wall Tile Grout N/A *****

Customer Colours

361

LUO CHEN/TING, TING CHEN
 Project: Wallaceton
 Unit: 383, Phase: 3
 Model: 25-2140 Alt A The Wallace

Created: 11/10/2021 11:04:19

Locked:

Closed:

8 of 32

Shower Wall Tile Pattern	1111	N/A *****
Shower Jamb(s)	1111	N/A *****
Cabinet Colour/Style	1111	N/A *****
Countertop	1111	N/A *****
Countertop Edge	1111	N/A *****
Cabinet Hardware	1111	N/A *****
Flooring	1111	N/A *****
Floor Tile Grout	1111	N/A *****
Floor Tile Pattern	1111	N/A *****
Plumbing Fixture (Colour)	1111	N/A *****
Comment		

Great Room Fireplace

Type	8869	Majestic MERC32 ***STD***
Mantle	8891	NF-17-Paint Grade Mantle- Cabinet (Per Plan)-WHITE ***STD*** PAGE 18
Surround Opt.	1111	N/A *****
Disclaimer	1111	Purchasers have been advised: heat from the FP can damage TV above a FP and items placed on mantle.
Disclaimer	1111	Heathwood and its contractors will not be liable for any damage on items placed/installed above a FP after closing.
Comment		

LC

Basement Stairs

Type	1713	Paint Grade Stairs ***STD BASEMENT STAIR ***
------	------	----------------------------------------------

Customer Colours

361

LUO CHENTING, TING CHEN
Project: Wallaceton
Unit: 383, Phase: 3
Model: 25-2140 Alt A The Wallace

Created: 11/10/2021 11:04:19

Locked:

Closed:

9 of 32

Colour	1111	N/A *****
Carpet Runner	1111	N/A *****
Handrail/Pickets/Post Type	1111	N/A *****
Handrail/Pickets/Post Colours	1111	N/A *****
Carpet	1111	N/A *****
Custom Stain/Paint	1111	N/A *****
Comment		

Landing to Basement

Flooring	1111	N/A *****
Comment	OR 7498	

Main Stairs

Type	1712	Oak Stairs ***STD MAIN STAIRS***
Colour	7912	Irongate (Gryphon) STAIN TO COMPLIMENT HARDWOOD AND WILL VARY FROM FLOORING
Carpet Runner	1111	N/A *****
Handrail/Pickets/Posts Type	7652	1 5/16 inch Square pickets with 3 1/2" Square/Cap Post(s)-ALL OAK ***STD***
Handrail/Pickets/Posts Colour	1728	Oak Grade-Stain handrail,oak pickets,stringers,treads,risers
Custom Stain/Paint	1111	N/A *****
Comment		

Hall

Flooring	1111	N/A *****
----------	------	-----------

Customer Colours

361

LUO CHEN/TING, TING CHEN
Project: Wallaceton
Unit: 383, Phase: 3
Model: 25-2140 Alt A The Wallace

Created: 11/10/2021 11:04:19

Locked:

Closed:

10 of 32

Comment

[Empty comment box]

Throughout

Walls - Paint Colour 1717 22-Wall-WARM GREY ***STD***

Underpad 1079 500 Series-Underpad ***STD***

Thresholds 2232 Metal Thresholds ***STD***

Switches and Plug 5796 Decora White Switches and Plugs ***STD***

Trim Size 8705 4 1/4 Baseboard and 2 3/4 Casings ***STD***

Trim - Paint Colour 1716 Trim-WHITE ***STD***

Comment

[Empty comment box]

Purchaser: [Signature] NOV-24-21 [Signature] NOV. 24. 21
LUO CHEN Date Decor Consultant Date

Purchaser: _____ [Signature] -03- 03 2022
TING, TING CHEN Date Wallaceton Date Approved



CONSTRUCTION SUMMARY

Lot: 383

Model: 25-2140 ALT A The Wallace

Project/Phase: Wallaceton / 3

Offer	Ten Thousand Dollars (\$10,000) At D?cor. (No Cash Value) Singles
Worksheet	Note:

Offer	The Purchaser(s) acknowledge that they have NOT been referred by an existing Heathwood Homeowner and therefor are not entitled to a referral fee under Heathwood Homes Referral program.
Worksheet	Note:

Offer	SCHEDULE X: ITEM #5 ADJUSTMENTS (e) AND (f) COMBINED TO BE CAPPED AT \$5,000
Worksheet	Note:



CONSTRUCTION SUMMARY

12 of 32

Lot: 383
 Model: 25-2140 ALT A The Wallace
 Project/Phase: Wallaceton / 3

ADMIN FEE

Invoice	Qty.	Description
913 03Mar22 NoCat	-1	- PROMO

APPLIANCES

Invoice	Qty.	Description
913 313,484 03Mar22	1	- APPLIANCES - CYCLONE 30 INCH WALL MOUNT CHIMNEY HOOD SS - SCB51930 SPECS PAGES 31-32 CABINETRY - delete stove uppers; ELECTRICAL - delete std range hood; HEATING/AIR CONDITIONING - D change to 6"

CABINETRY

Invoice	Qty.	Description
913 313,768 03Mar22	1	KITCHEN - 11A-Upper angle corner per unit Viking SKETCH # 2
913 334,727 03Mar22 **	1	MASTER ENSUITE - PLUMBING - OPTION FROM ONE SINK TO DOUBLE SINKS, INCLUDING STD CHATEAU FAUCET UNDERMOUNT OVALYN SINK ONE EXTRA VANITY LIGHT AND CABINET CONVERSION 2D VIKING SKETCH # 3 CABINETRY-2D Convert Viking; ELECTRICAL-Additional Vanity Light; GRANITE-Additional Cutout
913 313,933 03Mar22	1	KITCHEN - 22A-Glass door (each) clear glass (unfinished cabinet interior) FOR UPPER ANGLE CABINET SKETCH # 2
913 324,958 03Mar22	1	- CABINETRY - OPT LIGHT VALANCE (TRIM ONLY) - KITCHEN (ALL DOOR STYLES) - UPG
913 313,484 03Mar22 **	1	- APPLIANCES - CYCLONE 30 INCH WALL MOUNT CHIMNEY HOOD SS - SCB51930 SPECS PAGES 31-32 CABINETRY - delete stove uppers; ELECTRICAL - delete std range hood; HEATING/AIR CONDITIONING - D change to 6"

CERAMICS

Invoice	Qty.	Description
913 325,023 03Mar22	1	FOYER - CERAMICS - FLOOR - FOYER - UPGRADE 5
913 325,077 03Mar22	1	FOYER - CERAMICS - FLOOR GROUT - FOYER - GROUT



CONSTRUCTION SUMMARY

13 of 32

Lot: 383
 Model: 25-2140 ALT A The Wallace
 Project/Phase: Wallaceton / 3

DRYWALL

Invoice	Qty.	Description
913 313,768 03Mar22 **	1	KITCHEN - 11A-Upper angle corner per unit Viking SKETCH # 2
913 325,151 03Mar22	1	- DRYWALL - SMOOTH CEILING IN MAIN FLOOR PAINTING - Paint smooth ceiling

ELECTRICAL

Invoice	Qty.	Description
913 334,727 03Mar22 **	1	MASTER ENSUITE - PLUMBING - OPTION FROM ONE SINK TO DOUBLE SINKS, INCLUDING STD CHATEAU FAUCET UNDERMOUNT OVALYN SINK ONE EXTRA VANITY LIGHT AND CABINET CONVERSION 2D VIKING SKETCH # 3 CABINETRY-2D Convert Viking; ELECTRICAL-Additional Vanity Light; GRANITE-Additional Cutout
913 314,223 03Mar22	1	KITCHEN - ELECTRICAL - ADDITIONAL SWITCH TO BE USED FOR THE ROUGH IN CAP LIGHT ABOVE THE BREAKFAST BAR SEE SKETCH # 2
913 314,224 03Mar22	2	- ELECTRICAL - CEILING ROUGH-IN (CAPPED) 1X TO BE INSTALLED IN THE CENTRE GREAT ROOM-USE EXISTING SWITCH PLUG 1X TO BE INSTALLED ABOVE THE BREAKFAST BAR- USE SEPARATE SWITCH SEE SKETCH # 2
913 314,232 03Mar22	1	GREAT ROOM - ELECTRICAL - EXTRA WALL INTERIOR OUTLET ON EXISTING CIRCUIT (DOES NOT INCLUDE KITCHEN OUTLETS) TO BE INSTALLED ABOVE THE CENTR OF THE FIRE PLACE 70" FROM FLOOR SEE SKETCH # 2
913 313,484 03Mar22 **	1	- APPLIANCES - CYCLONE 30 INCH WALL MOUNT CHIMNEY HOOD SS - SCB51930 SPECS PAGES 31-32 CABINETRY - delete stove uppers; ELECTRICAL - delete std range hood; HEATING/AIR CONDITIONING - D change to 6"
913 314,242 03Mar22	1	KITCHEN/BREAKFAST - ELECTRICAL - RELOCATION OF SWITCHES/LIGHTS (MUST SPECIFY LOCATION) - NOTE: PLUGS CANNOT BE RELOCATED- MUST PURCHASE ADDITIONAL OUTLET. RELOCATE STD. LIGHT TO THE CENTRE OF THE BREAKFAST ROOM SEE SKETCH # 2

FRAMING

Invoice	Qty.	Description
913 313,768 03Mar22 **	1	KITCHEN - 11A-Upper angle corner per unit Viking SKETCH # 2

GRANITE

Invoice	Qty.	Description
913 334,727 03Mar22 **	1	MASTER ENSUITE - PLUMBING - OPTION FROM ONE SINK TO DOUBLE SINKS, INCLUDING STD CHATEAU FAUCET UNDERMOUNT OVALYN SINK ONE EXTRA VANITY LIGHT AND CABINET CONVERSION 2D VIKING SKETCH # 3 CABINETRY-2D Convert Viking; ELECTRICAL-Additional Vanity Light; GRANITE-Additional Cutout



CONSTRUCTION SUMMARY

Lot: 383
 Model: 25-2140 ALT A The Wallace
 Project/Phase: Wallaceton / 3

HEATING / AIR CONDITIONING

Invoice	Qty.	Description
913 313,484 03Mar22 **	1	- APPLIANCES - CYCLONE 30 INCH WALL MOUNT CHIMNEY HOOD SS - SCB51930 SPECS PAGES 31-32 CABINetry - delete stove uppers; ELECTRICAL - delete std range hood; HEATING/AIR CONDITIONING - D change to 6"

PAINTING

Invoice	Qty.	Description
913 313,768 03Mar22 **	1	KITCHEN - 11A-Upper angle corner per unit Viking SKETCH # 2
913 325,151 03Mar22 **	1	- DRYWALL - SMOOTH CEILING IN MAIN FLOOR PAINTING - Paint smooth ceiling

PLUMBING

Invoice	Qty.	Description
913 334,727 03Mar22	1	MASTER ENSUITE - PLUMBING - OPTION FROM ONE SINK TO DOUBLE SINKS, INCLUDING STD CHATEAU FAUCET UNDERMOUNT OVALYN SINK ONE EXTRA VANITY LIGHT AND CABINET CONVERSION 2D VIKING SKETCH # 3 CABINetry-2D Convert Viking; ELECTRICAL-Additional Vanity Light; GRANITE-Additional Cutout

STRUCTURED WIRING

Invoice	Qty.	Description
913 314,546 03Mar22	1	GREAT ROOM - STRUCTURED WIRING - RELOCATION OF R/I CABLE TV TO BE INSTALLED ABOVE FIRE PLACE 70" FROM FLOOR SEE SKETCH # 2

UK 3-WALLACETON
LOT 383
25-2410 ALT ELEV. A
THE WALLACE

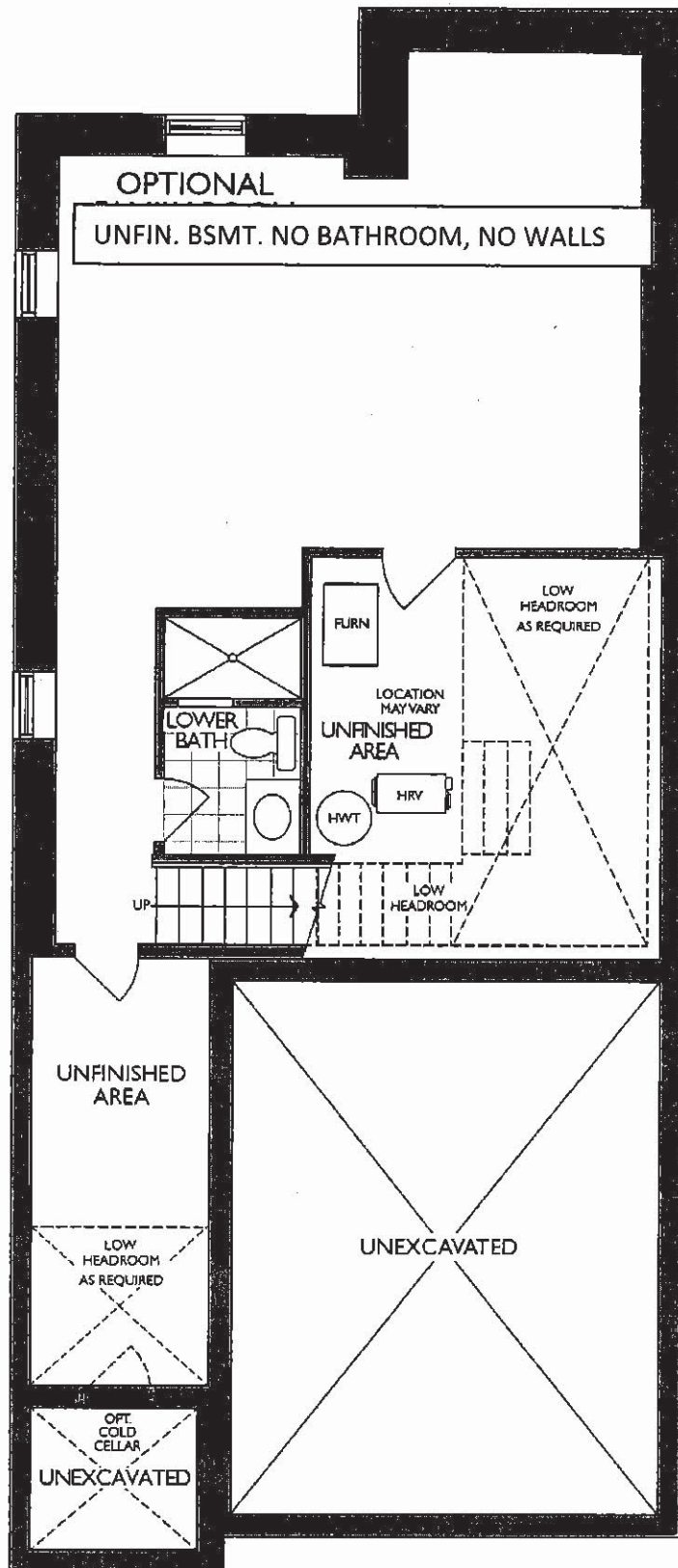
15 of 32

Sketch # 1

THE WALLACE

25-2140 ELEV. A ALT

ELEVATION A | 2,140 SQ. FT.
Includes 589 sq. ft. of opt. finished Lower Level
WALLACETON
EST. 1870



LOWER LEVEL
ELEVATION A, B, C, D & E

Legal Plan Jan. 8, 2021

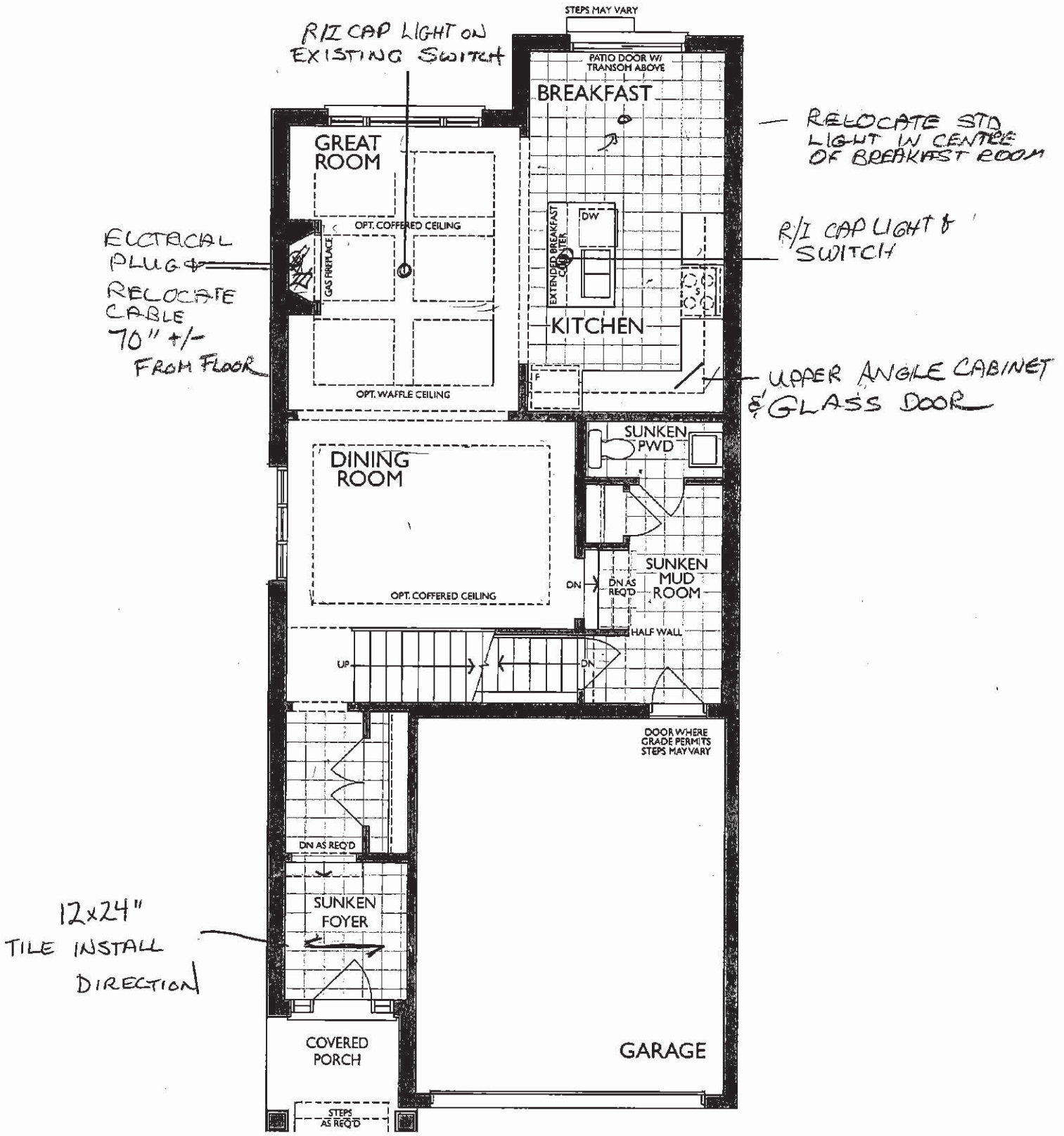
TTC

Sketch #2

THE WALLACE

25-2140 ELEV. A ALT

ELEVATION A | 2,140 SQ. FT.
Includes 589 sq. ft. of opt. finished Lower Level
WALLACETON
EST. 1870



MAIN FLOOR
ELEVATION A

TTC

UK 3- WALLACETON
LOT 383
25-2410 ALT ELEV. A
THE WALLACE

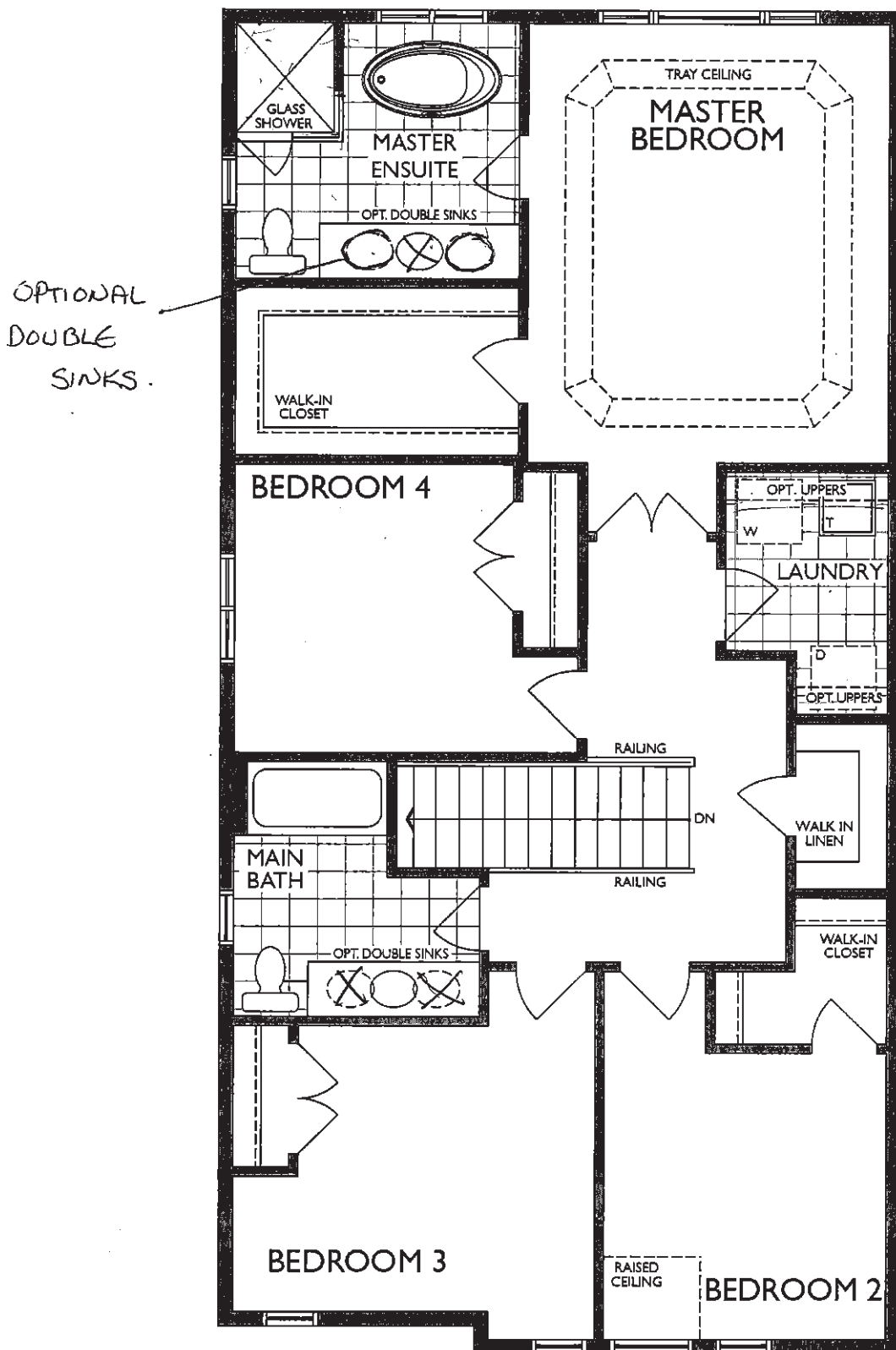
17 of 32

Sketch #3

THE WALLACE

25-2140 ELEV. A ALT

ELEVATION A | 2,140 SQ. FT.
Includes 589 sq. ft. of opt. finished Lower Level
WALLACETON
EST. 1870



OPTIONAL
DOUBLE
SINKS.

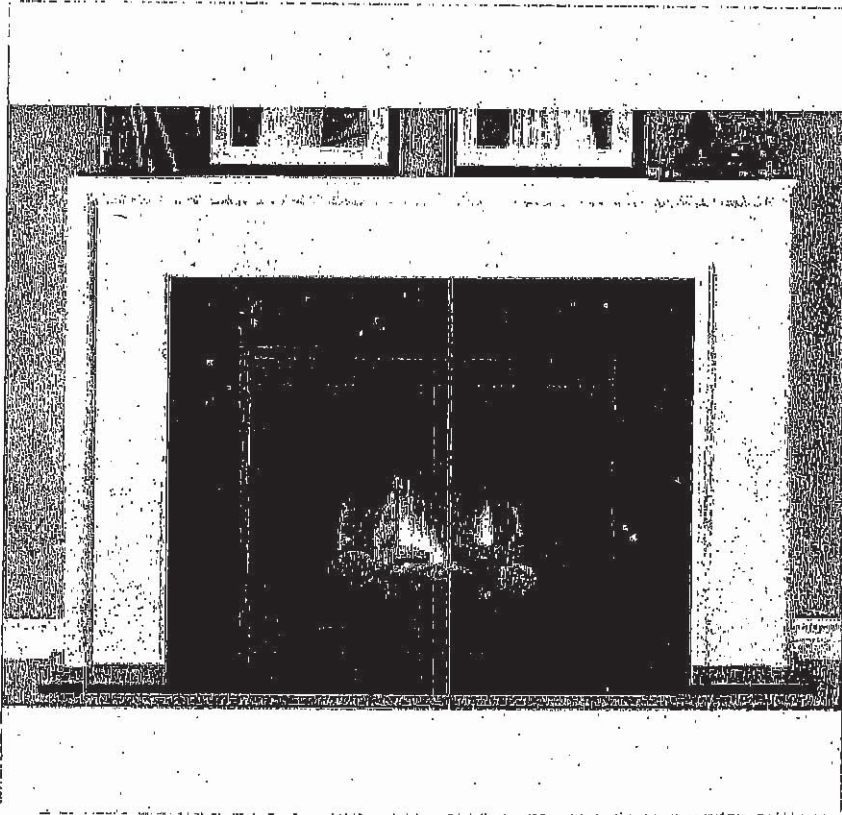
SECOND FLOOR
ELEVATION A

Legal Plan Jan. 8, 2021

TTC.

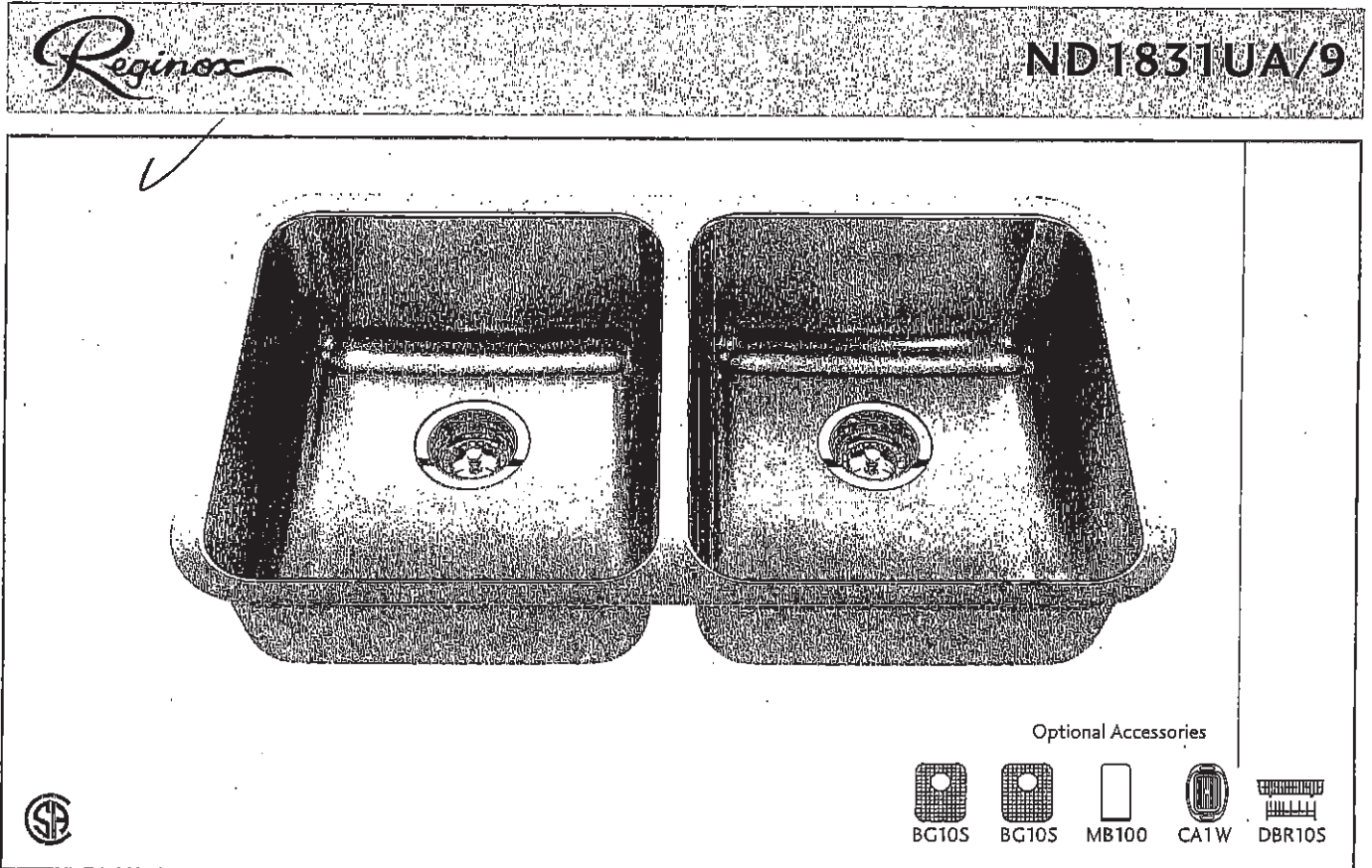
UK 3- WALLACETON
LOT 383
25-2410 ALT ELEV. A
THE WALLACE

18 of 32

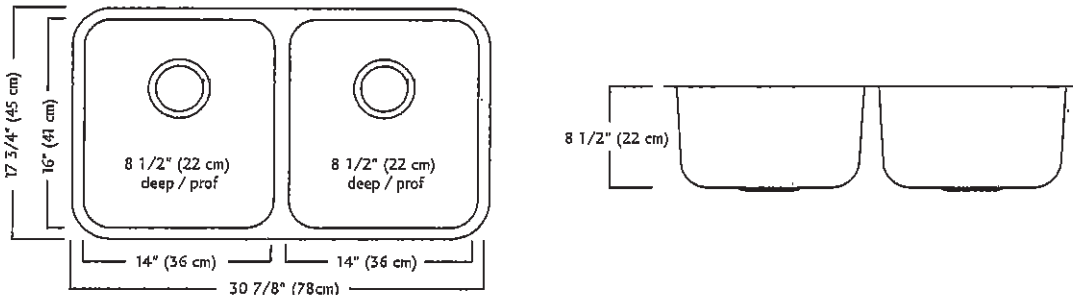


NEAS NF17 Mantel -CABINET

L-C



L.C



ND1831UA/9 SPECIFICATION

Model ND1831UA/9 is a double (two equal size) bowl undermount sink manufactured by Franke Kindred Canada Limited from 18 gauge stainless steel. Product has silk finished rims and linear brush finished bowls. Sink is fully undercoated. Basket strainer waste fittings (3 1/2", 89 mm) are included. Sink is backed with a limited lifetime warranty.

- O.D. 17 3/4" x 30 7/8" x 8 1/2" (45 x 78 x 22 cm)
- Recommended for minimum 36" cabinet

Franke Kindred Canada Limited
 P.O. Box 190, 1000 Franke Kindred Road, Midland, Ontario, Canada, L4R 4K9 Phone: 866-687-7465 Fax: 800-361-8408

UK 3- WALLACETON
 LOT 383
 25-2410 ALT ELEV. A
 THE WALLACE

20 of 32

MOEN®

Specifications

FAUCET DESCRIPTION

- Reflex™ pulldown system offers smooth operation, easy movement and secure docking
- Power Clean™ spray technology
- Metal construction with various finishes identified by suffix
- Quick connect installation
- Pulldown spray with 68" braided hose
- Flexible supply lines with 3/8" compression fittings
- High arc spout provides height and reach to fill or clean large pots while pulldown wand provides the maneuverability for cleaning or rinsing
- 360° rotating spout
- Faucet designed for handle to be mounted on right side only

OPERATION

- Lever style handle
- Temperature controlled by 100° arc of handle travel
- Operates with less than 5 lbs. of force
- Operates in stream or spray mode in the pullout or retracted position


FLOW

- Flow is limited to 1.5 gpm (5.7 L/min) max at 60 psi

CARTRIDGE

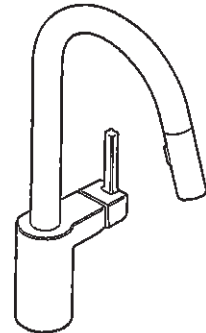
- 1255™ Duralast™ cartridge

STANDARDS

- Third party certified to IAPMO Green, ASME A112.18.1/CSA B125.1 and all applicable requirements therein including NSF 61/9G & 372
- Meets CalGreen and Georgia SB370 requirements
- Complies with California Proposition 65 and with the Federal Safe Drinking Water Act
- The backflow protection system in the device consists of two independently operating check valves, a primary and a secondary which prevent backflow
- ADA  for lever handle

WARRANTY

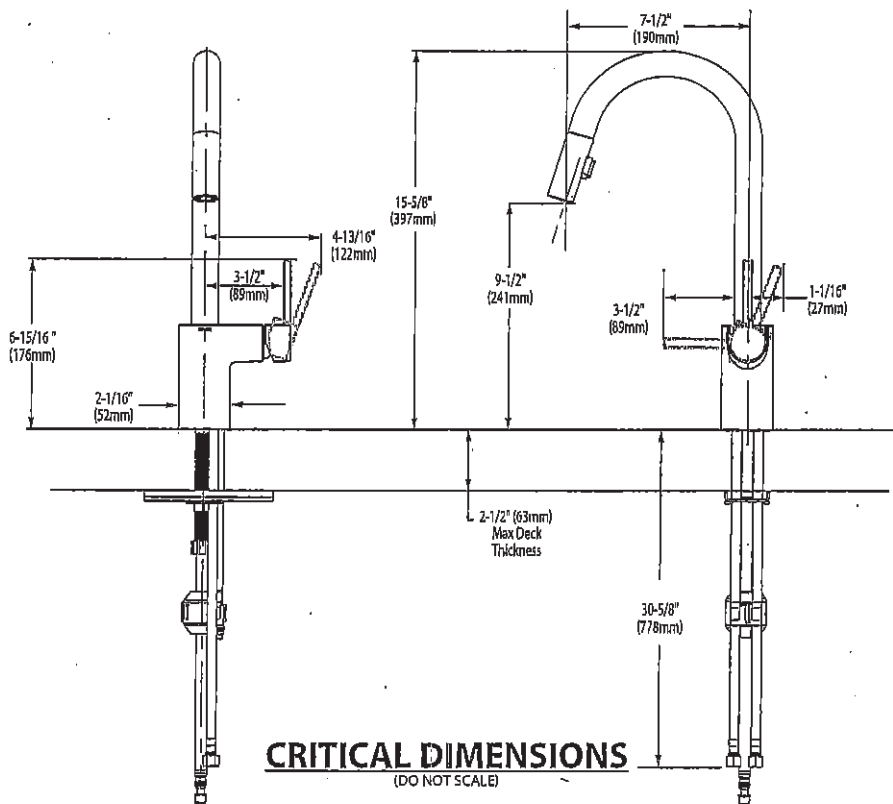
- Lifetime limited warranty against leaks, drips and finish defects to the original homeowner
 - 10 year limited warranty when used in a multifamily installation
 - 5 year limited warranty when used in a commercial installation
- Visit www.moen.com/support for complete details and limitations



ALIGN™
 Single Handle High Arc
 Pulldown Kitchen Faucet

Models: 7565 series

NOTE: THIS FAUCET IS DESIGNED TO BE INSTALLED THROUGH 1 HOLE, 1-1/2" (38mm) MIN. DIA. (OPTIONAL 3-HOLE ESCUTCHEON 141002 AVAILABLE)



Rev. 6/20

FOR MORE INFORMATION CALL: 1-800-BUY-MOEN
www.moen.com

GREEN UFG 141002

L-C

UK 3- WALLACETON
LOT 383
25-2410 ALT ELEV. A
THE WALLACE

21 of 32

*American
Standard*

BARRIER FREE (ABOVE COUNTER OR DROP-IN ONLY)

**BOULEVARD®
PEDESTAL SINK**
VITREOUS CHINA

BOULEVARD® PEDESTAL SINK

- 0641.800 Faucet holes on 8" (203mm) centers (Illustrated)
- 0641.400 Faucet holes on 4" (102mm) centers
- 0641.100 Center hole only
 - Classic styled rectangular pedestal lavatory
 - Vitreous china
 - Rear overflow
 - Supplied with mounting kit
 - Right Height® for greater comfort during use
 - Faucet ledge with large deck area (faucet not included)
 - **Design coordinates with Boulevard® Toilet**
 - Basin has flat bottom to also allow use as an **above counter sink** or a **drop-in sink** (with u-shaped cut out)

Nominal Dimensions:

24" x 19" x 35-1/2"
(610 x 483 x 902mm)

- 0641.008 Pedestal top-8" (203mm) centers
- 0641.004 Pedestal top-4" (102mm) centers
- 0641.001 Pedestal top-center hole only
- 0010.000 Pedestal only

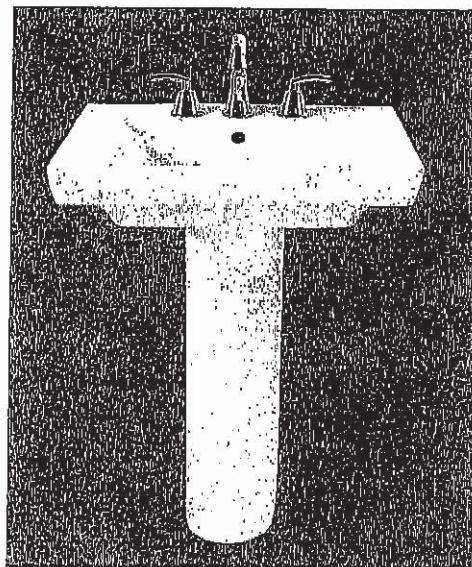
Bowl sizes:

17" (432mm) wide,
12-1/2" (318mm) front to back,
5" (127mm) deep

Compliance Certifications -

Meets or Exceeds the Following Specifications:

- ASME A112.19.2 - 2008/CSA B45.1-08



SEE REVERSE FOR ROUGHING-IN DIMENSIONS

To Be Specified:

- Color: White Linen
- Faucet Finish:
- Supplies:
- 1-1/4" Trap:
- Nipple:

* See faucet section for additional models available

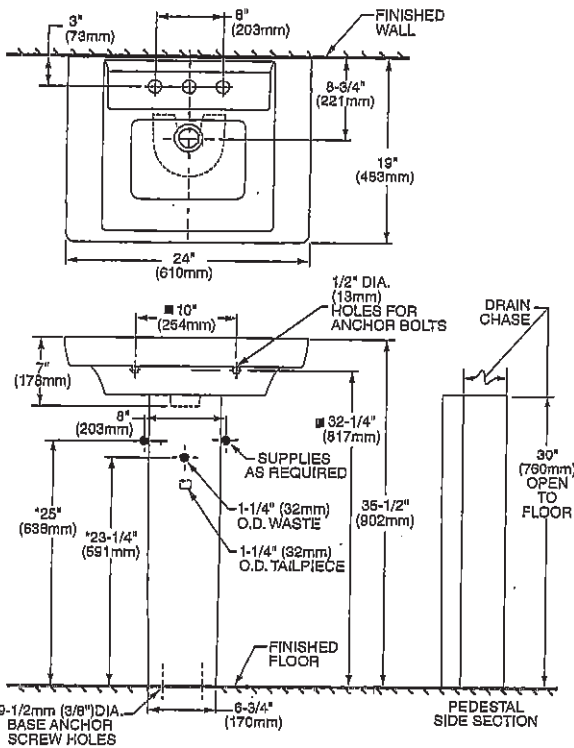
C-C



**BOULEVARD®
 PEDESTAL SINK**
 VITREOUS CHINA

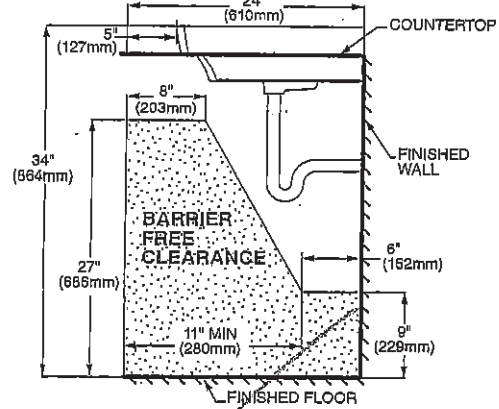
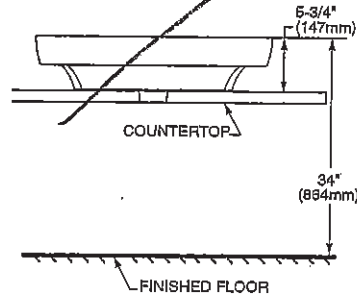
BARRIER FREE (ABOVE COUNTER OR DROP-IN ONLY)

TOP VIEW (ALL THREE CONFIGURATIONS)



PEDESTAL CONFIGURATION
 (NOT ADA COMPLIANT)

ABOVE COUNTER CONFIGURATION



DROP-IN SINK CONFIGURATION



ABOVE COUNTER AND DROP-IN SINK CONFIGURATIONS MEET THE AMERICANS WITH DISABILITIES ACT GUIDELINES AND ANSI A117.1 ACCESSIBLE AND USABLE BUILDINGS AND FACILITIES - CHECK LOCAL CODES.
 Top of sink installed at 34" (864mm) height from finished floor.
 Sink installed 5" (127mm) minimum from front edge of countertop.
 Provide 27" (686mm) knee clearance area.

NOTES:

- * DIMENSIONS SHOWN FOR LOCATION OF SUPPLIES AND "P" TRAPS ARE SUGGESTED.
- ▼ PEDESTAL ANCHORING SCREWS NOT INCLUDED.
- SUITABLE FOR REINFORCEMENT ONLY. ACTUAL DIMENSIONS MUST BE TAKEN FROM FIXTURE.
- FITTING NOT INCLUDED AND MUST BE ORDERED SEPARATELY.
- PROVIDE SUITABLE REINFORCEMENT FOR ALL WALL SUPPORTS.
- INSTALLATION INSTRUCTIONS SUPPLIED WITH LAVATORY.

IMPORTANT: Dimensions of fixtures are nominal and may vary within the range of tolerance established by ANSI Standard A112.19.2. These measurements are subject to change or cancellation. No responsibility is assumed for use of superseded or voided pages.

C-C

UK 3- WALLACETON
LOT 383
25-2410 ALT ELEV. A
THE WALLACE

23 of 32

MASTER BATHROOM
X2

American Standard

Style That Works Better

 BARRIER FREE

OVALYN™
UNDERCOUNTER SINK
VITREOUS CHINA

OVALYN™ UNDERCOUNTER SINK

- Classic oval undermount sink
- Made from vitreous china
- Front overflow
- Supplied with mounting kit (047194-0070A) and template

0495.221 Unglazed rim
435 x 359mm
(17-1/8" x 14-1/8")

0495.300 Glazed underside

Bowl size:

382mm (15-1/16") wide
306mm (12-1/16") front to back
140mm (5-1/2") deep

0496.221 Unglazed rim
489 x 413mm
(19-1/4" x 16-1/4")

0496.300 Glazed underside

Bowl size:

432mm (17") wide
356mm (14") front to back
140mm (5-1/2") deep

0497.221 Unglazed rim
546 x 441mm
(21-1/2" x 17-3/8")

0497.300 Glazed underside

Bowl size:

483mm (19") wide
391mm (15-3/8") front to back
140mm (5-1/2") deep

Compliance Certifications -

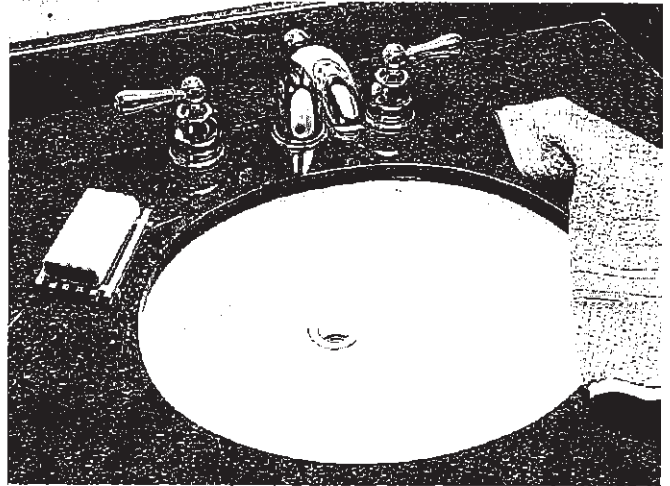
Meets or Exceeds the Following Specifications:

- ASME A112.19.2M for Vitreous China Fixtures
- CAN/CSA B45 series

To Be Specified:

- Color: White Bone Linen
 Silver Fawn Beige Black
- Faucet*:
 Faucet Finish:
 Supplies:
 1-1/4" Trap:

* See faucet section for additional models available



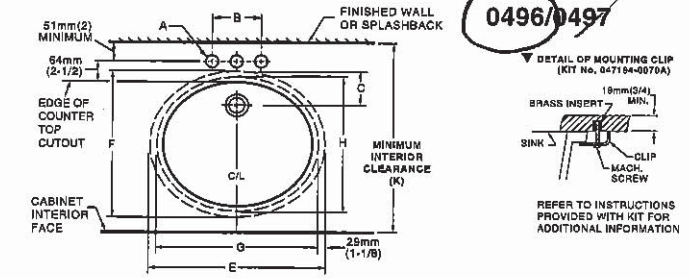
SEE REVERSE FOR ROUGHING-IN DIMENSIONS

24 of 32

American Standard
 Style That Works Better

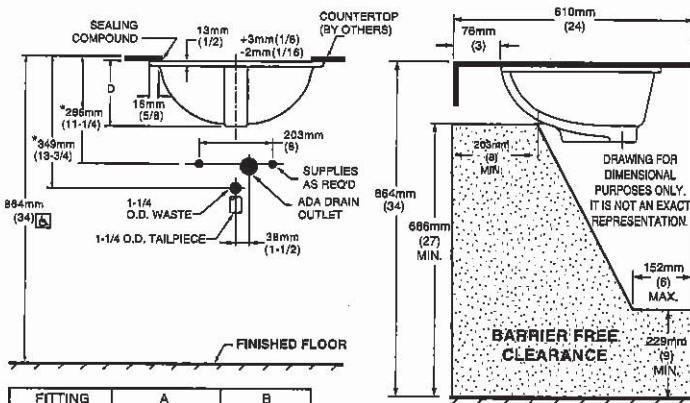
**OVALYN™
 UNDERCOUNTER SINK
 VITREOUS CHINA**

BARRIER FREE



NOTES:
 * DIMENSIONS SHOWN FOR LOCATION OF SUPPLIED AND "P" TRAP ARE SUGGESTED.
 ▼ UNDERCOUNTER MOUNTING KIT SUPPLIED WITH SINK. PLEASE NOTE MINIMUM INTERIOR CLEARANCE DIMENSION (K). FITTINGS NOT INCLUDED AND MUST BE ORDERED SEPARATELY. USE ENCLOSED TEMPLATE FOR COUNTERTOP CUTOUT SEALING COMPOUND SUPPLIED BY OTHERS.

IMPORTANT: Dimensions of fixtures are nominal and may vary within the range of tolerances established by ANSI Standard A112.19.2. These measurements are subject to change or cancellation. No responsibility is assumed for use of superseded or voided pages.

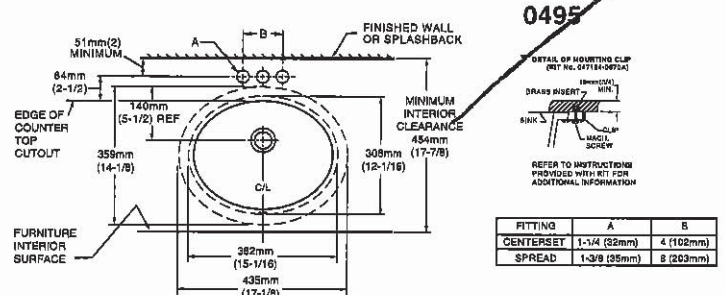


MEETS THE AMERICANS WITH DISABILITIES ACT GUIDELINES AND ANSI A117.1 ACCESSIBLE AND USEABLE BUILDINGS AND FACILITIES - CHECK LOCAL CODES.

Countertop 864mm (34") from finished floor. Lavatory installed 76mm (3") from front edge of countertop. Countertop thickness to be 25mm (1") maximum.

FITTING	A	B
CENTERSET	1-1/4 (32mm)	4 (102mm)
SPREAD	1-3/8 (35mm)	B (203mm)

CAT. NO.	E	F	G	H	C	D	J	K
0496.221	485mm (19-1/4)	413mm (16-1/4)	432mm (17)	356mm (14)	103mm (4-1/16)	182mm (7-3/16)	16mm (5/8)	500mm (19-11/16)
0497.221	548mm (21-1/2)	441mm (17-3/8)	483mm (19)	391mm (15-3/8)	95mm (3-3/4)	191mm (7-1/2)	19mm (3/4)	534mm (21-1/16)



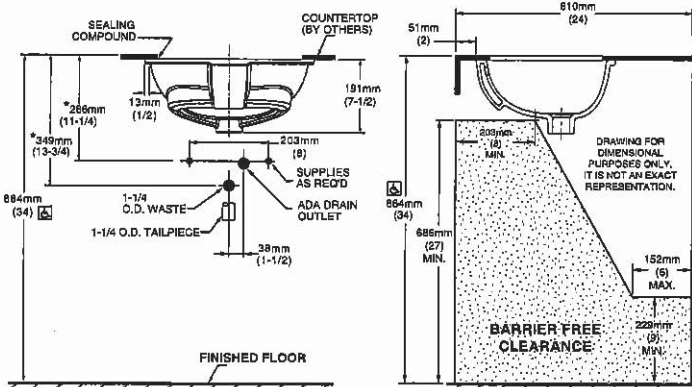
FITTING	A	B
CENTERSET	1-1/4 (32mm)	4 (102mm)
SPREAD	1-3/8 (35mm)	B (203mm)

NOTES:
 USE ENCLOSED TEMPLATE FOR COUNTER TOP CUTOUT. FITTINGS NOT INCLUDED WITH FIXTURE AND MUST BE ORDERED SEPARATELY.
 * DIMENSIONS SHOWN FOR LOCATION OF SUPPLIED AND "P" TRAP ARE SUGGESTED.
 ▼ UNDERCOUNTER MOUNTING KIT SUPPLIED WITH SINK. PLEASE NOTE MINIMUM INTERIOR CLEARANCE DIMENSION (K). SEALING COMPOUND SUPPLIED BY OTHERS.

IMPORTANT: Dimensions of fixtures are nominal and may vary within the range of tolerances established by ANSI Standard A112.19.2. These measurements are subject to change or cancellation. No responsibility is assumed for use of superseded or voided pages

MEETS THE AMERICANS WITH DISABILITIES ACT GUIDELINES AND ANSI A117.1 ACCESSIBLE AND USEABLE BUILDINGS AND FACILITIES - CHECK LOCAL CODES.

Countertop 864mm (34") from finished floor. Lavatory installed 51mm (2") from front edge of countertop. Countertop thickness to be 25mm (1") maximum.



American Standard

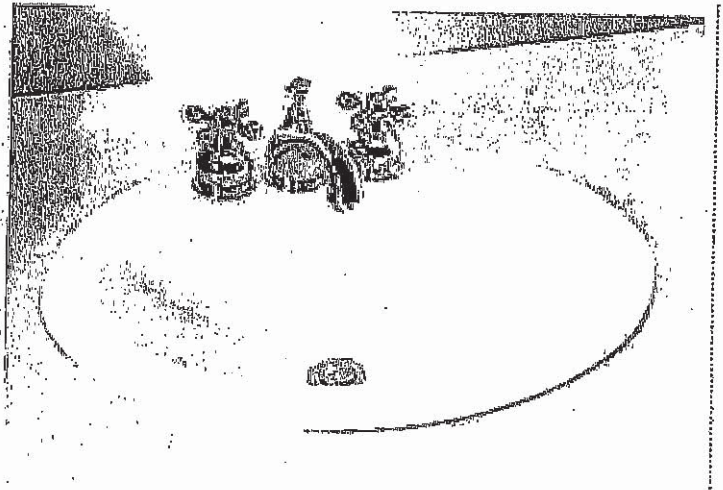
BARRIER FREE

COLONY™
 COUNTERTOP SINK
 VITREOUS CHINA

COLONY COUNTERTOP SINK

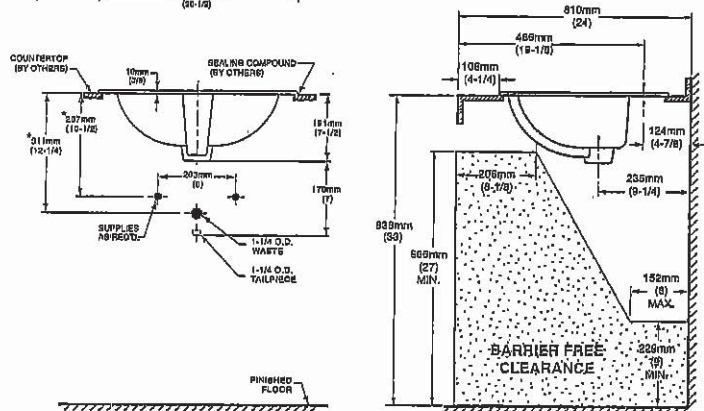
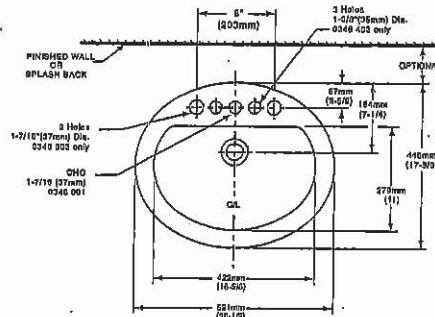
- Vitreous china
- Self-rimming
- Front overflow
- Supplied with template
- Faucet deck
(Faucet shown not included)

- 0346 803
Faucet holes on 203mm (8") centres
- 0346 403 (Illustrated)
Faucet holes on 102mm (4") centres
- 0346 001
Centre hole only



Nominal Dimensions:
 521 x 448mm (20-1/2" x 17-5/8")

Bowl sizes:
 422mm (16-5/8") wide, 279mm (11") front to back, 143mm (5-5/8") deep



COMPLIANCE CERTIFICATIONS –
 Meets or exceeds the following Specifications:
 • ASME A112.19.2M for Vitreous China Fixtures.
 • CAN/CSA B45 Series.

- To Be Specified
- Colour: White Bone Silver Gray Linen
 - Faucet*:
 - Faucet Finish:
 - Supplies & Stops:
 - Trap 1-1/4" (32 mm):

NOTES:
 * DIMENSIONS SHOWN FOR LOCATION OF SUPPLIES AND "P" TRAP ARE SUGGESTED. FOR COUNTERTOP CUTOUT AND INSTALLATION INSTRUCTIONS USE TEMPLATE SUPPLIED WITH SINK.
 FAUCETS NOT INCLUDED AND MUST BE ORDERED SEPARATELY.
 IMPORTANT: Dimensions of fixtures are nominal and may vary within the range of tolerances established by ANSI Standard A112.19.2.
 These measurements are subject to change or cancellation. No responsibility is assumed for use of superseded or voided pages.

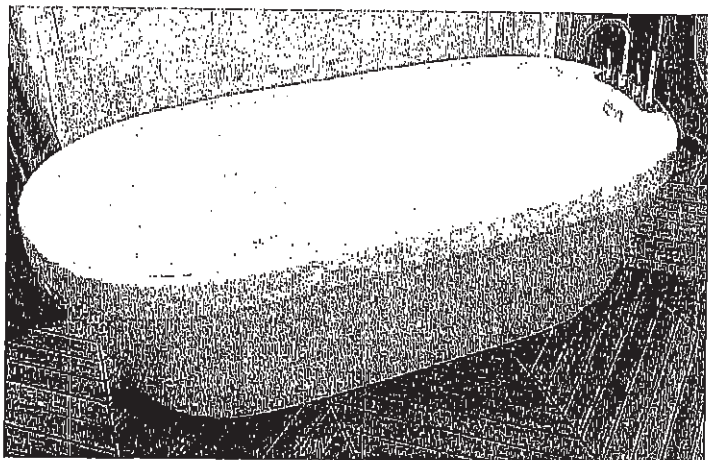
* See faucet section for additional models available

L-C



DEMI^{MC}
 Fiche de spécifications du produit

Collection de baignoires autoportantes en deux pièces



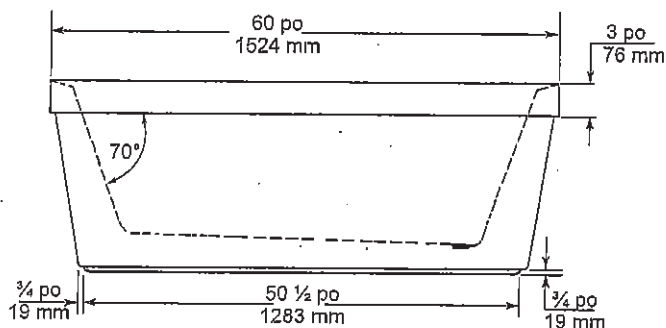
CF2007 Baignoire de détente autoportante en deux pièces
 Taille: 60 po x 32 po x 22 po
 1524 mm x 813 mm x 559 mm

CARACTÉRISTIQUES ET AVANTAGES DES PRODUITS

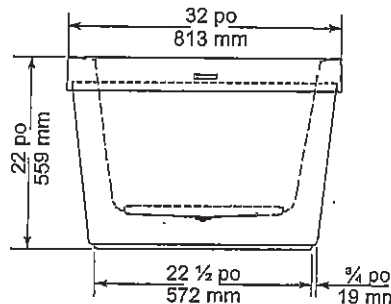
- Acrylique formé sous vide et renforcé de fibre de verre
- Fini très lustré résistant aux rayures, aux taches et à la décoloration
- Conception en deux parties d'installation facile
- Peuvent recevoir des robinets montés sur le tablier
- Comprend un vidage automatique intégré et un trop-plein rectangulaire
- Comprend les pieds réglables

ENSEMBLE DE DEUX PIÈCES

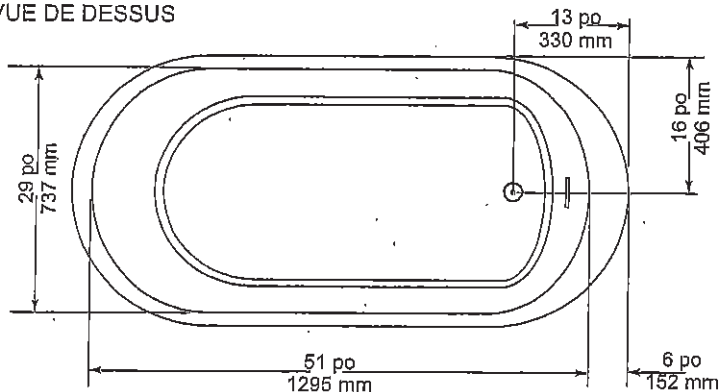
VUE AVANT



VUE EN BOUT



VUE DE DESSUS



SPÉCIFICATIONS GÉNÉRALES		
Poids moyen	90 lb	41 kg
Partie baignoire au bas	43 po x 20 po	1092 mm x 508 mm
Capacité Jusqu'au niveau du trop-plein		195 litres
Profondeur d'eau entre l'orifice d'évacuation et le trop-plein	16 po	406 mm
Diamètre du drain	2 po	51 mm
Ouverture du trop-plein	2 1/4 x 3/4 po	57 x 13 mm
Dégagement du drain au plancher	3 1/4 po	83 mm

NOTES: S'il vous plaît confirmer les dimensions actuels de votre produit pour garantir une identification correct. La baignoire doit être installée sur le plancher soutenu par les 5 pattes autonivelants. Ajuster si requis pour que la baignoire soit à niveau et obtenir un drainage approprié. Consulter les directives d'installations pour obtenir plus de renseignements.

IMPORTANT : Les dimensions des appareils sont nominales et peuvent varier de ± 1/4 po (6 mm). Le poids varie de +/- 5 lb (2.3 kg). Le dessin n'est pas à l'échelle. Ces dimensions peuvent être changées à la discrétion du fabricant.

Attestations de conformité - Se conforme aux spécifications suivantes ou les dépasse :

- CAN/CSA - Série B45



60 Shorncliffe Rd., Toronto, Ontario M8Z 5K1
 Téléphone: 416.231.9030 Télécopieur: 416.231.0929
 www.mirolin.com

Service à la clientèle: 416.231.5790
 Canada, É.-U.: 800.MIROLIN(647-6546)
 Télécopieur Canada: 800.463.2236

R0084162
 25 Sep. 2018

L-C

UK 3- WALLACETON
 LOT 383
 25-2410 ALT ELEV. A
 THE WALLACE

27 of 32

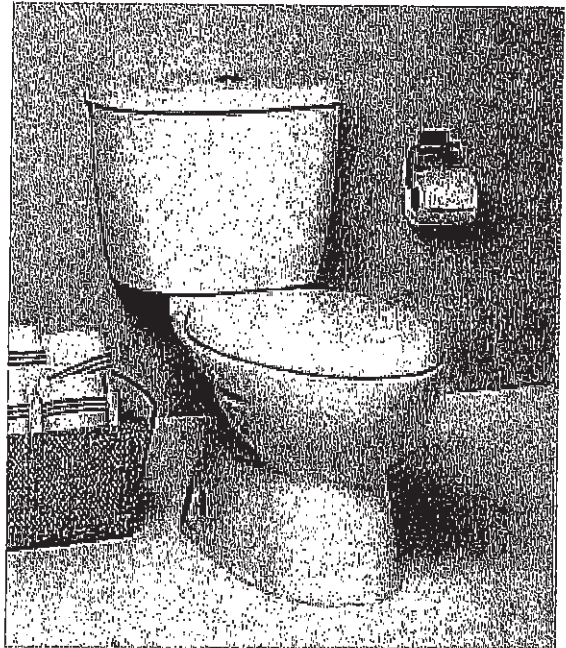
American Standard
 Style That Works Better

FloWise™ DUAL FLUSH
 ELONGATED TOILET

VITREOUS CHINA

FloWise™ DUAL FLUSH ELONGATED TOILET

- 2476 216
 - Vitreous china
 - Low-consumption Dual Flush
 Full flush 6.0 Lpf/1.3 gpf,
 Partial flush 3.0 Lpf/0.66 gpf.
 - Elongated wash down bowl
 - Internal trapway fully-glazed,
 2-1/4" (57mm) ballpass
 - Concealed trapway bowl
 - Chrome-plated top mounted
 push button actuator
 - Easy to clean sanitary dam on bowl
 - Includes Elongated Slow Close Seat
 - 100% factory flush tested
 - 2 bolt caps

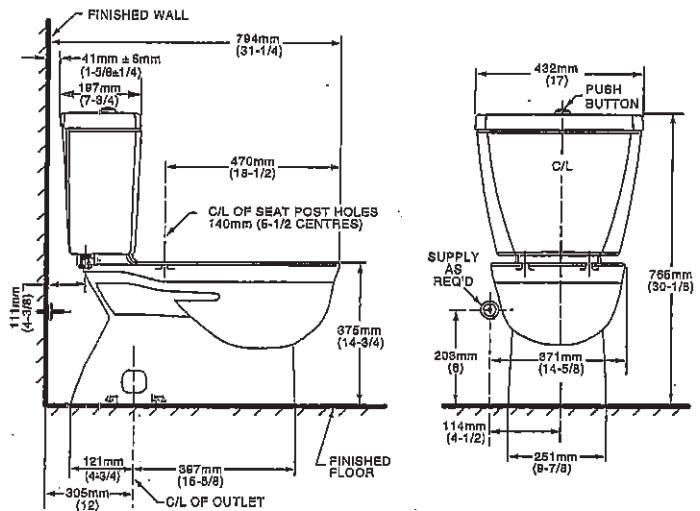


Separate Component Parts:

- 3067 316 Elongated Bowl with Slow Close Seat
- 4035 216 Unlined Tank

- 2476 516 Same as above with Lined tank
 - 3067 316 Elongated Bowl
 - 4035 516 Lined Tank

Nominal Dimensions:
 794 x 432 x 765mm
 (31-1/4" x 17" x 30-1/8")



Compliance Certifications -
 Meets or Exceeds the Following Specifications:
 • ASME A112.19.2M (and 19.6M)
 • CAN/CSA B45 series

To Be Specified

- Colour: 020 White
- Supply with stop:

NOTES:
 THIS TOILET IS DESIGNED TO ROUGH-IN AT A MINIMUM DIMENSION OF 305MM (12") FROM FINISHED WALL TO C/L OF OUTLET.
 SUPPLY NOT INCLUDED WITH FIXTURE AND MUST BE ORDERED SEPARATELY.
 * DIMENSION SHOWN FOR LOCATION OF SUPPLY IS SUGGESTED.
 FOR ADDITIONAL INFORMATION REFER TO INSTALLATION INSTRUCTIONS SUPPLIED.
 IMPORTANT: Dimensions of fixtures are nominal and may vary within the range of tolerance established by ANSI Standard A112.19.2
 These measurements are subject to change or cancellation. No responsibility is assumed for use of superseded or voided pages.

UPGRADED VALUE ADDED FEATURES AT NO EXTRA CHARGE

L-C

UK 3- WALLACETON
 LOT 383
 25-2410 ALT ELEV. A
 THE WALLACE

28 of 32

MOEN®

Specifications

DESCRIPTION

- Metal construction with various finishes identified by suffix
- 16" long 3/8" tubing connections
- Includes metal or 50/50 pop-up type waste assembly where noted

OPERATION

- Pivot action lever style handle
- Temperature controlled through 180° degree arc of handle travel


FLOW

- Flow is limited to 1.5 gpm max (5.7L/min) at 60 psi

CARTRIDGE

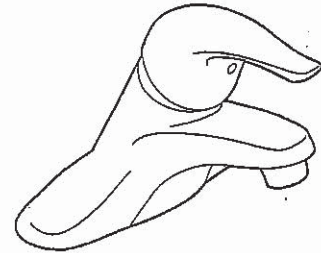
- 1225 cartridge design
- Nonmetallic/nonferrous and stainless steel material
- Can accommodate reversed piping and back to back installations

STANDARDS

- Third party certified to WaterSense®, CSA B-125.1, ASME A112.18.1 and all applicable requirements referenced therein including NSF61/9
- Complies with California Proposition 65 and with the Federal Safe Drinking Water Act
- ADA  for lever handle

WARRANTY

- Lifetime limited warranty against leaks, drips and finish defects to the original consumer purchaser
- 5 year warranty if used in commercial installations



**CHATEAU®
 Single-Handle Lavatory Faucet**

with Metal Waste Assembly

Model: L4625 series

L4631BC

Bulk Packed (12 per carton):

L64624 series

with 50/50 Waste Assembly

Bulk Packed (12 per carton):

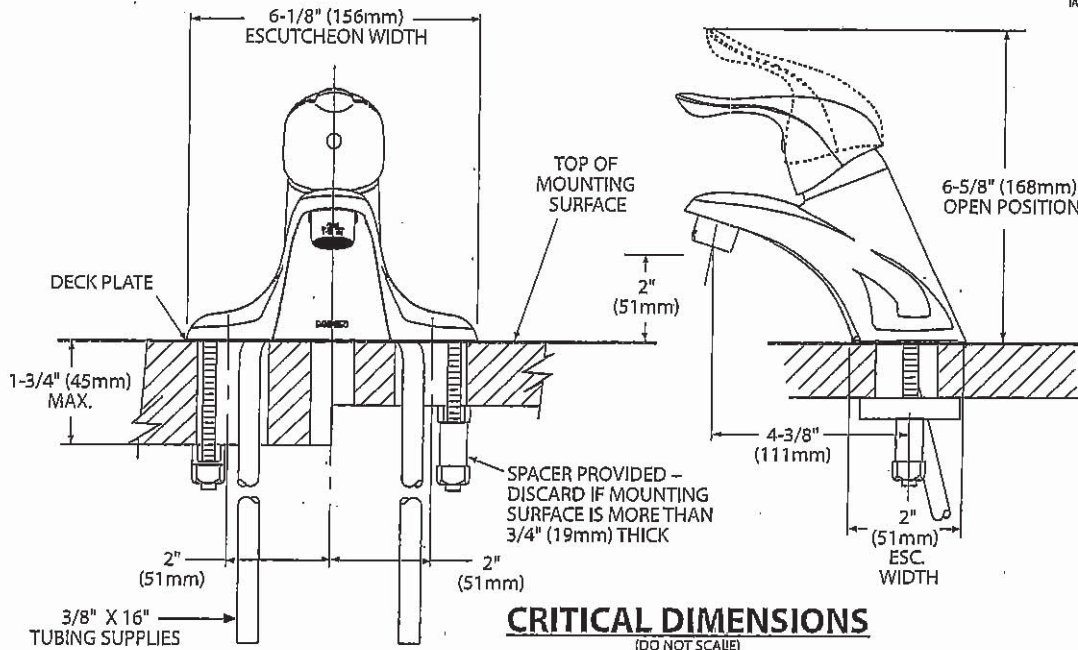
L64625 series

Less Waste

Bulk Packed (12 per carton):

L64600 series

NOTE: THIS FAUCET IS DESIGNED TO BE INSTALLED THRU 3-1" DIA. HOLES, 2" ON CENTER



Rev 8/15

FOR MORE INFORMATION CALL: 1-800-BUY-MOEN

www.moen.com

L.C

UK 3- WALLACETON
 LOT 383
 25-2410 ALT ELEV. A
 THE WALLACE

29 of 32



Buy it for looks. Buy it for life.®

DESCRIPTION

- Metal construction with various finishes identified by suffix
- Includes non-metallic showerhead, arm, flange and non-metallic diverter tub spout

OPERATION

- Handle operates counterclockwise through a 270° arc with off at 6 o'clock and maximum hot at the 9 o'clock position. Shut off in clockwise direction
- Adjustable temperature limit stop to control maximum hot water temperature
- Pressure balancing mechanism maintains selected discharge temperature to ± 3°

FLOW

- Showerhead is limited to 2.5 gpm (9.5 L/min) at 80 psi
- EP suffix models are limited to 1.75 gpm (6.6 L/min) at 80 psi
- NH suffix models contain no showerhead

CARTRIDGE

- 1222 cartridge design
- Accommodates back to back installations
- Nonmetallic/nonferrous and stainless steel material

STANDARDS

- Third party certified to meet ASME A112.18.1/CSA B125.1 and all applicable requirements referenced therein
- EP suffix models are third party certified to WaterSense®
- ADA ♿ for lever handle

WARRANTY

- Lifetime limited warranty against leaks, drips and finish defects to the original consumer purchaser
- 5 year warranty if used in commercial installations

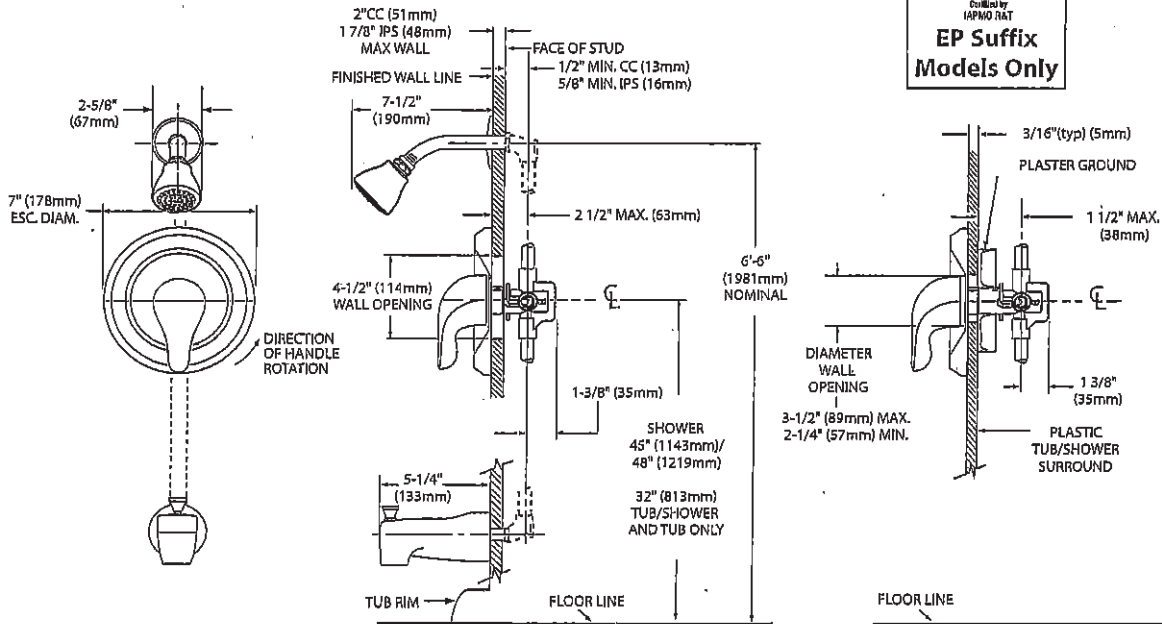
Specifications



**CHATEAU® POSI-TEMP®
 Single-Handle Tub/Shower Trim Kit**

- Models:** TL181 series - valve trim only
 (Bulk Packed 12 per carton)
 TL182 series - shower trim only
 (Bulk Packed 12 per carton)
 TL183 series - tub/shower trim
 (Bulk Packed 12 per carton)

- Valves:** 62300 series
 2500 series



L-C

GRAPHIC: MICHAEL GOODMAN

UK 3- WALLACETON
LOT 383
25-2410 ALT ELEV. A
THE WALLACE

30 of 32

MOEN®

Specifications

DESCRIPTION


- Metal construction with various finishes identified by suffix

OPERATION

- Lever style handles with hot and cold color indicator
- Rotate hot side handle counterclockwise to open (clockwise to close) and the cold side handle (clockwise to open) and (counterclockwise to close)

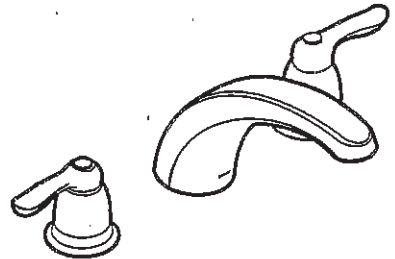
STANDARDS

- Third party certified to: ASME A112.18.1/CSA B-125.1, and all applicable requirements referenced therein

- ADA  for lever handles

WARRANTY

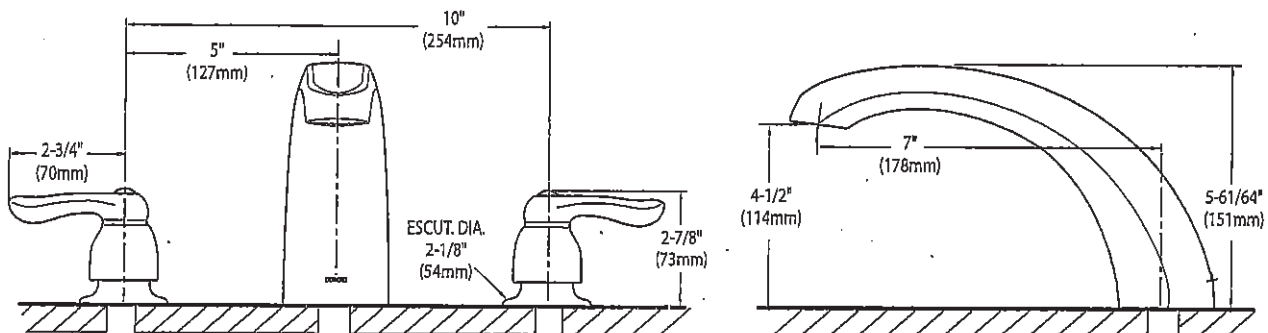
- Lifetime limited warranty against leaks, drips and finish defects to the original homeowner
 - 10 year limited warranty when used in a multi-family installation
 - 5 year limited warranty when used in a commercial installation
- Visit www.moen.com/support for complete details and limitations



CHATEAU® Two-Handle Garden Tub Trim

Models: T994 series

Valves: 4792, 4793, 4794, 4796, 4797, 4798



CRITICAL DIMENSIONS

(DO NOT SCALE)

Rev. 3/19

FOR MORE INFORMATION CALL: 1-800-BUY-MOEN

www.moen.com

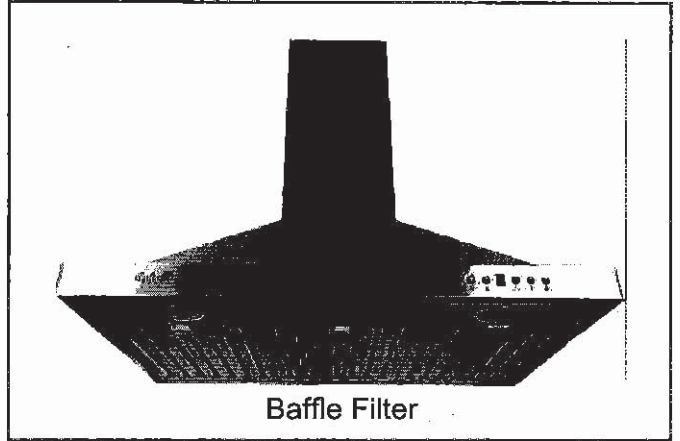
C-C

UK 3- WALLACETON
 LOT 383
 25-2410 ALT ELEV. A
 THE WALLACE

31 of 32

SC(B)519 | ALITO Collection

Cyclone[®]
 Breathe Better



Baffle Filter

Wall Mount

Strong and sturdy with attractive lines and an imposing frame, the SC(B)519 is fitted with a time-delay OFF feature up to nine minutes, a 550 CFM fan, two bright front mounted LED lights and a digital three-speed push button control panel.

Green Features



3 Speed Push Button Control Panel



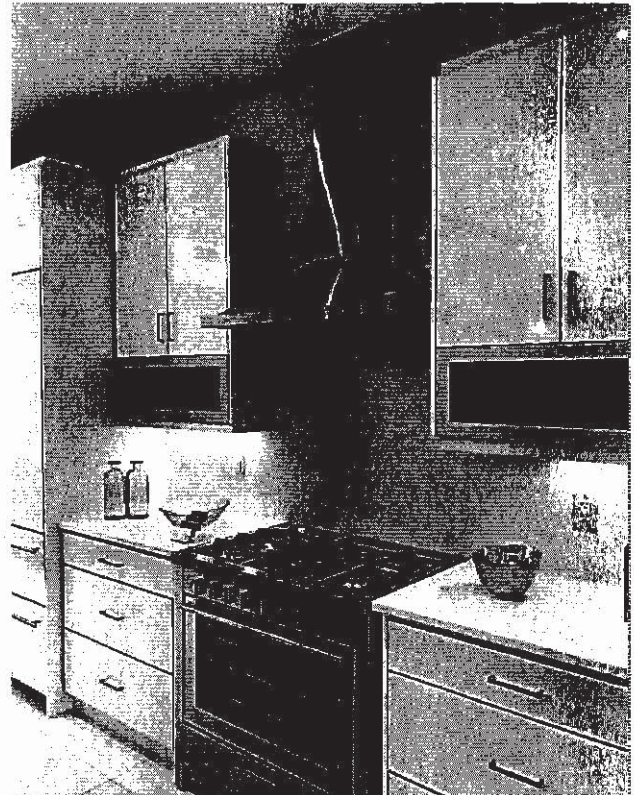
Long-Lasting LED Lights



Time-Delay OFF Feature



Grease Cup



Model	Colour	Ducting	Filters	Size	CFM
-------	--------	---------	---------	------	-----

SCB51930 ✓	Stainless Steel	6"	Baffle	30" ✓	550
SCB51936	Stainless Steel	6"	Baffle	36"	550

Cyclone Range Hoods Inc.

1361 Huntingwood Drive, Unit 16, Toronto, ON, M1S 3J1, Canada.

Toll Free: 1-888-293-5662 Tel: (416) 293-0933 Fax: (416) 293-4793 Website: www.CycloneRangeHoods.com

TTC

UK 3- WALLACETON
 LOT 383
 25-2410 ALT ELEV. A
 THE WALLACE

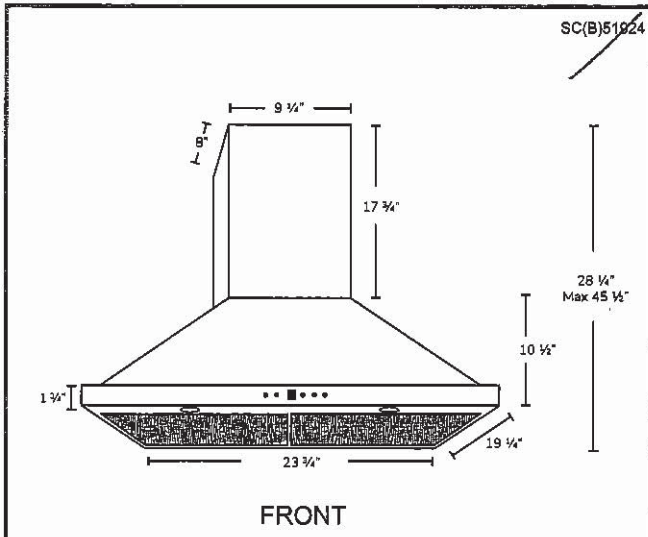
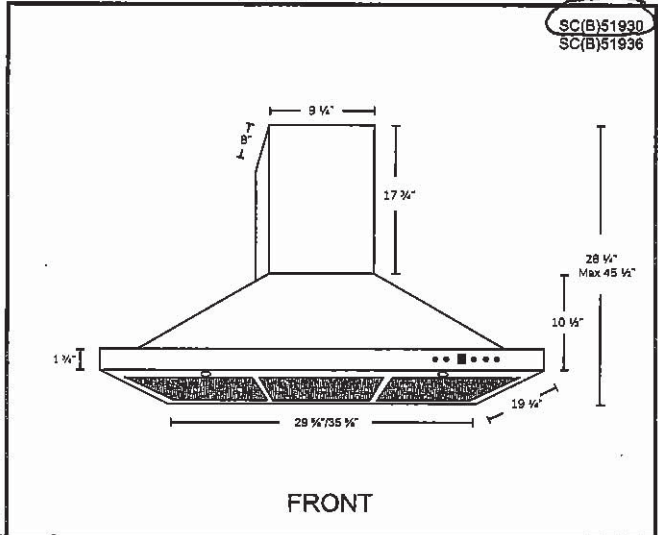
32 of 32

SC(B)519 | ALITO Collection



Features

- Wall mount range hood
- 6" round duct adapter
- Non-stick aluminum fan blades
- 3 speed push button control
- 2 LED lights (2 x 1.4W, 4000K)
- Quick release aluminum mesh filters
- Standard chimney fits up to 9 ft. ceiling
- Up to 9 minutes time-delay OFF feature
- Plug-in connection



Options

- Filters:
 - SCB519 - Quick Release Stainless Steel Baffle Filters
- Chimney Flues:
 - A1.CH10 - short (7'-8' ceilings)
 - A1.CH18 - standard (8'-9' ceilings)
 - A1.CH30 - extended (9'-11' ceilings)
- Widths: 24", 30", 36"

Specifications

- | | | |
|--------------------------------------|--------------------------------|---------------------------------------------|
| • Air Flow Volume: 550 CFM | • Current: 2.5 Amps | • Finishes: Stainless Steel |
| • Electrical Connection: 120 V/60 Hz | • Fan Speed: 1599 RPM | • Ducting: 6" Round |
| • Power Consumption: 300 Watts | • Fan Type: Centrifugal Blower | • Noise Level: Min. 2 Sones
Max. 6 Sones |



Toronto • Vancouver • Boston
www.CycloneRangeHoods.com

TTC