

Sales Selection Sheet
Checklist

1 of 40

LOT 345 Model: 28-2590 B THE BRISTOL

PURCHASERS: KULJINDER, S SIDHU/MANDIP, KAUR SIDHU // RASHPAL, KAUR SI

VENDOR: Heathwood Homes (Huron) Limited

UNFINISHED BASEMENT
NO COLD CELLAR

- WOB
- DECK

UPGRADED / MODIFIED ELEVATION

- CORNER UPGRADE
- REAR UPGRADE

CEILING UPGRADE - SMOOTH

- MAIN FLOOR
- SECOND FLOOR
- BASEMENT

ADDITIONAL ROUGH-INS

- 200 AMP SERVICE (STD IN SINGLES)
- WET BAR ROUGH-IN
- HUMIDIFIER
- AIR CONDITIONING (SITE STD)

GAS ROUGH-IN

- STOVE
- DRYER
- BBQ
- ADDITIONAL GAS FIREPLACE

KITCHEN: HOODFAN VENTING SIZE

- 6 IN ROUND DUCT
- 7 IN ROUND DUCT

FULL BASEMENT STAIRS:	Paint Grade
UPPER BASEMENT STAIRS:	N/A
LOWER BASEMENT STAIRS:	N/A
MAIN STAIRS:	All Oak
MEDIA STAIRS (if applicable):	N/A
LOFT STAIRS (if applicable):	N/A

SEPT 23/22 _____
Date Purchaser: *on file*

SEPT 23/22 _____
Date Decor Consultant: IRIT Sarem

Date Purchaser:

~~SEPT 23/22~~
-09- 23 2022 _____
Date Heathwood Homes (Huron) Limited
Approved *[Signature]*

Locked Date:

Customer Colours

KULJINDER, S SIDHU/MANDIP, KAUR SIDHU // RASHPAL, KAUR SIDHU
 Project: Wallaceton
 Unit: 345, Phase: 3
 Model: 28-2590 B THE BRISTOL

Created: 9/8/2022 12:01:45
 Locked:
 Closed:

Kitchen

Cabinet Colour/Style	9163	Viking II-GEORGIAN-RAIN CLOUD-3DL ***STD***
Island Cabinet Colour/Style	9163	Viking II-GEORGIAN-RAIN CLOUD-3DL ***STD***
Cabinet Hardware	2092	9661-HARDWARE ***STD***
Countertop	9069	MSI Quartz GROUP 1 ICED WHITE ***STD***
Island Countertop	9069	MSI Quartz GROUP 1 ICED WHITE ***STD***
Countertop Edge		

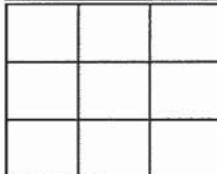
- Please note some islands may require a seam as per manufacturer and fabricator discretions.

Sink	9487	Plumbing-KINDRED Kitchen Sink Collection - Reginox ND1831 U/9-Double (equal size) Bowl Undermount Sink (or equivalent)-Stainless Steel	PG 16
HoodFan	9393	SCB51930-CYCLONE 30 inch CANOPY CHIMNEY HOODFAN-SS	PG 25-26
Backsplash	1111	N/A *****	
Backsplash Grout	1111	N/A *****	
Backsplash Tile Pattern	1111	N/A *****	

- Purchasers have been advised: standard fridge opening is a minimum 37 3/8 x 73 3/8 inches. Ice Waterline Rough-In is included.
- Standard stove opening is 30 inches and standard dishwasher opening is 24 inches. Any gas stove will require backsplash or stainless steel backing to avoid fire hazards.
- Purchasers acknowledge: Heathwood Homes and its contractors will not be responsible for any kitchen cabinet changes due to appliances dimension changes after sign-off.

Kitchen / Breakfast

Flooring	9071	GE.BY.AZR.1313 New Byzantine Azzuro 13 x13 *** STD ***
Floor Tile Grout	2225	Grout-(27) Silver ***STD***
Floor Tile Pattern	3000	STANDARD SQUARE ***STD***



Comment

Foyer

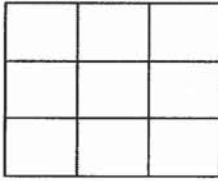
Flooring	9071	GE.BY.AZR.1313 New Byzantine Azzuro 13 x13 *** STD ***
Floor Tile Grout	2225	Grout-(27) Silver ***STD***
Floor Tile Pattern	3000	STANDARD SQUARE ***STD***

Handwritten initials/signature
 K.S

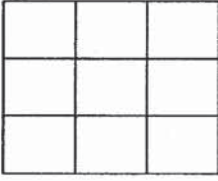
Customer Colours

KULJINDER, S SIDHU/MANDIP, KAUR SIDHU // RASHPAL, KAUR SIDHU
 Project: Wallaceon
 Unit: 345, Phase: 3
 Model: 28-2590 B THE BRISTOL

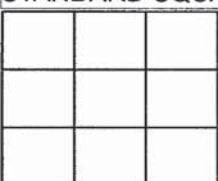
Created: 9/2/2022 12:01:45
 Locked:
 Closed:

Floor Tile Pattern	3000	STANDARD SQUARE STD
		
Comment		

Powder Room

Flooring	9071	GE.BY.AZR.1313 New Byzantine Azzuro 13 x13 *** STD ***
Floor Tile Grout	2225	Grout-(27) Silver ***STD***
Floor Tile Pattern	3000	STANDARD SQUARE ***STD***
		
Plumbing Fixture (Colour)	1737	Plumbing Fixtures-WHITE ***STD***
Comment		

Mud Room / Laundry

Flooring	9071	GE.BY.AZR.1313 New Byzantine Azzuro 13 x13 *** STD ***
Floor Tile Grout	2225	Grout-(27) Silver ***STD***
Floor Tile Pattern	3000	STANDARD SQUARE ***STD***
		
Opt. Cabinet Colour/Style - Uppers	1111	N/A *****
Opt. Cabinet Hardware - Uppers	1111	N/A *****
Opt. Cabinet Colour/Style - Base	1111	N/A *****
Opt. Cabinet Hardware - Base	1111	N/A *****
Opt. Countertop	1111	N/A *****
Opt. Countertop Edge	1111	N/A *****
Comment		

Main Hall

Flooring	7502	Red Oak Pearl-Vintage Engineered-PEWTER/ECLIPSE-3/4 inch x 3 1/4 inch
Comment		

Handwritten initials and signature:
 MS
 BS
 K.S

Customer Colours

KULJINDER, S SIDHU/MANDIP, KAUR SIDHU // RASHPAL, KAUR SIDHU
Project: Wallaceton
Unit: 345, Phase: 3
Model: 28-2590 B THE BRISTOL

Created: 9/3/2022 12:01:45
Locked:
Closed:

Dining Room

Flooring 7502 Red Oak Pearl-Vintage
Engineered-PEWTER/ECLIPSE-3/4 inch x 3 1/4 inch

Comment

Great Room

Flooring 7502 Red Oak Pearl-Vintage
Engineered-PEWTER/ECLIPSE-3/4 inch x 3 1/4 inch

Comment

Great Room Fireplace

Type 8869 Majestic MERC32 ***STD***

Mantle 9114 NF 15-Paint Grade Mantle- Cabinet (Per Plan)-WHITE
STD

Surround (Opt.) 1111 N/A *****

PG 15

- Purchasers have been advised: heat from the FP can damage TV above a FP and items placed on mantle.

- Heathwood and its contractors will not be liable for any damage on items placed/@installed above a FP after closing.

Comment

Upper Hall

Flooring 9510 88664-MINOTAUR-MORNING LIGHT-40 oz Poly ***STD***

Comment

Master Bedroom

Flooring 9510 88664-MINOTAUR-MORNING LIGHT-40 oz Poly ***STD***

Comment

Bedroom 2

Flooring 9510 88664-MINOTAUR-MORNING LIGHT-40 oz Poly ***STD***

Comment

Bedroom 3

Flooring 9510 88664-MINOTAUR-MORNING LIGHT-40 oz Poly ***STD***

K.E

Customer Colours

KULJINDER, S SIDHU/MANDIP, KAUR SIDHU // RASHPAL, KAUR SIDHU
 Project: Wallaceston
 Unit: 345, Phase: 3
 Model: 28-2590 B THE BRISTOL

Created: 9/3/2022 12:01:45
 Locked:
 Closed:



Comment

Bedroom 4

Flooring

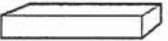
Comment

Master Ensuite

Cabinet Colour/Style

Cabinet Hardware

Countertop

Countertop Edge


Floor Tile

Floor Tile Grout

Floor Tile Pattern

Shower Wall Tile

Shower Wall Tile Grout

Shower Wall Tile Pattern

Shower Floor Tile

Shower Floor Tile Grout

Shower Floor Tile Pattern

Shower Jamb(s) and Sill(s)

Plumbing Fixture (colour)

Comment

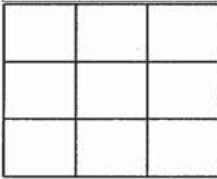
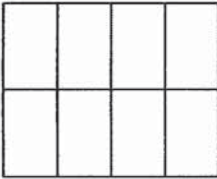
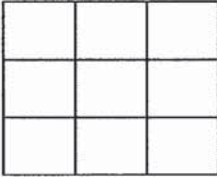
Handwritten initials/signature
 K.S

Main Bathroom

Customer Colours

KULJINDER, S SIDHU/MANDIP, KAUR SIDHU // RASHPAL, KAUR SIDHU
 Project: Wallaceton
 Unit: 345, Phase: 3
 Model: 28-2590 B THE BRISTOL

Created: 9/2/2021 12:01:45
 Locked:
 Closed:

Cabinet Colour/Style	9164	Viking II-GEORGIAN-MOONLIGHT-3DL ***STD***
Cabinet Hardware	2093	9671-HARDWARE ***STD***
Countertop	8822	4924-38-Countertop-WHITE CARRARA-Wilsonart ***STD***
Countertop Edge	1111	N/A *****
Floor Tile	9255	TR.SP.WHITE.1313 SEMPRE White Matte 13 x 13 ***STD***
Floor Tile Grout	7704	Grout-(19) Pearl Gray ***STD***
Floor Tile Pattern	3000	STANDARD SQUARE ***STD***
		
Shower Wall Tile	9020	QT.WV.WHT.0810-Weave-White-8 x 10 ***STD***
Shower Wall Tile Grout	2226	Grout-(00) White ***STD***
Shower Wall Tile Pattern	3090	VERTICAL STACKED ***STD***
		
Shower Floor Tile	8661	OD.ON.SWT.0202.MT.N-Ontario Series Mosaic-Snow White Matte-2 x 2 ***STD***
Shower Floor Tile Grout	2226	Grout-(00) White ***STD***
Shower Floor Tile Pattern	3000	STANDARD SQUARE ***STD***
		
Shower Jamb(s) and Sill(s)	8923	Shower Jamb / Sill-Thassos White ***STD***
Plumbing Fixture (colour)	1737	Plumbing Fixtures-WHITE ***STD***
Comment		

Shared Ensuite

Cabinet Colour/Style	9164	Viking II-GEORGIAN-MOONLIGHT-3DL ***STD***
Cabinet Hardware	2093	9671-HARDWARE ***STD***
Countertop	8822	4924-38-Countertop-WHITE CARRARA-Wilsonart ***STD***
Countertop Edge	1111	N/A *****
Floor Tile	9255	TR.SP.WHITE.1313 SEMPRE White Matte 13 x 13 ***STD***
Floor Tile Grout	7704	Grout-(19) Pearl Gray ***STD***
Floor Tile Pattern	3000	STANDARD SQUARE ***STD***

Handwritten initials:
 MS
 BS
 RS

Customer Colours

KULJINDER, S SIDHU/MANDIP, KAUR SIDHU // RASHPAL, KAUR SIDHU
 Project: Wallaceton
 Unit: 345, Phase: 3
 Model: 28-2590 B THE BRISTOL

Created: 9/2/2021 12:01:45
 Locked:
 Closed:

Wall Tile

Wall Tile Grout

Wall Tile Pattern

Opt. Shower Floor Tile

Opt. Shower Floor Tile Grout

Opt. Shower Floor Tile Pattern

Opt. Shower Jamb(s) and Sill(s)

Plumbing Fixture (colour)

Comment

Lower Level Recreation Room (Opt. Finish)

Flooring

Comment

Lower Level Bathroom (Opt. Finished Bas

Cabinet Colour/Style

Cabinet Hardware

Countertop

Countertop Edge

Floor Tile

Floor Tile Grout

Floor Tile Pattern

M
B
K.E

Customer Colours

KULJINDER, S SIDHU/MANDIP, KAUR SIDHU // RASHPAL, KAUR SIDHU
 Project: Wallaceon
 Unit: 345, Phase: 3
 Model: 28-2590 B THE BRISTOL

Created: 9/3/2022 12:01:45

Locked:

Closed:

Shower Wall Tile	1111	N/A *****
Shower Wall Tile Grout	1111	N/A *****
Shower Wall Tile Pattern	1111	N/A *****
Shower Floor Tile	1111	N/A *****
Shower Floor Tile Grout	1111	N/A *****
Shower Floor Tile Pattern	1111	N/A *****
Shower Jamb(s) and Sill(s)	1111	N/A *****
Plumbing Fixture (colour)	1737 1111	Plumbing Fixtures-WHITE ***STD*** N/A
Comment		

Main Stairs

Type	1714	Oak Stairs ***STD MAIN STAIRS***
Colour	7922	Eclipse (Pewter) STAIN TO COMPLIMENT HARDWOOD AND WILL VARY FROM FLOORING ***99***
Handrail/Pickets/Posts Type	7652	1 5/16 inch Square pickets with 3 1/2" Square/Cap Post(s)-ALL OAK ***STD***
Handrail/Pickets/Posts Colour	7922	Eclipse (Pewter) STAIN TO COMPLIMENT HARDWOOD AND WILL VARY FROM FLOORING ***99***
Custom Stain/Paint	1111	N/A *****
Landing(s)	7502	Red Oak Pearl-Vintage Engineered-PEWTER/ECLIPSE-3/4 inch x 3 1/4 inch
Opt. Carpet Runner	1111	N/A *****
Comment		

Lower Level Stairs

Type	1713	Paint Grade Stairs ***STD UNFINISHED BASEMENT STAIRS
Colour	1111	N/A *****
Handrail/Pickets/Posts Type	9119	Handrail only on closed walls (one or two sides per building code) ***STD***
Handrail/Pickets/Posts Colour	1111	N/A *****
Custom Stain/Paint	1111	N/A *****
Landing(s)	1111	N/A *****
Opt. Carpet Runner	1111	N/A *****

M
B
K.S

Customer Colours

9 of 40 ⁵¹⁰

KULJINDER, S SIDHU/MANDIP, KAUR SIDHU // RASHPAL, KAUR SIDHU
 Project: Wallace-ton
 Unit: 345, Phase: 3
 Model: 28-2590 B THE BRISTOL

Created: 9/9/2022 12:01:45

Locked:

Closed:

Comment

Throughout

Switches and Plug	5796	Decora White Switches and Plugs ***STD***
Thresholds	2232	Metal Thresholds ***STD***
Underpad	1079	500 Series-Underpad ***STD***
Trim Size	8705	4 ¼ Baseboard and 2 ¾ Casings ***STD***
Trim - Paint Colour	1716	Trim-WHITE ***STD***
Walls - Paint Colour	1717	22-Wall-WARM GREY ***STD***

Comment

Purchaser: Kuljinder Singh IRIT SALEM Sept 9/22
 KULJINDER, S SIDHU Decor Consultant Date

Purchaser: Mandip Kaur Sidhu / Rashi M. Rosen -09- 12 2022
 MANDIP, KAUR SIDHU // RASHI Wallace-ton Date Approved



CONSTRUCTION SUMMARY

Lot: 345
Model: 28-2590 B THE BRISTOL
Project/Phase: Wallaceton / 3

Offer Worksheet	Five Appliances: SS Fridge, Stove, Chimney Hood Fan, Dishwasher: White Front Loader Washer/Dryer (Singles) Note:
-----------------	---

Offer Worksheet	The Purchaser(s) acknowledge that they have NOT been referred by an existing Heathwood Homeowner and therefor are not entitled to a referral fee under Heathwood Homes Referral program. Note:
-----------------	---



CONSTRUCTION SUMMARY

Lot: 345
Model: 28-2590 B THE BRISTOL
Project/Phase: Wallaceton / 3

ELECTRICAL

Invoice	Qty.	Description
1155 314,232 29Sep22	1	GREAT ROOM - ELECTRICAL - EXTRA WALL INTERIOR OUTLET ON EXISTING CIRCUIT (DOES NOT INCLUDE KITCHEN OUTLETS) TO BE INSTALLED ABOVE THE FIRE PLACE 70"+ FROM FLOOR SEE SKETCH # 2

THE BRISTOL

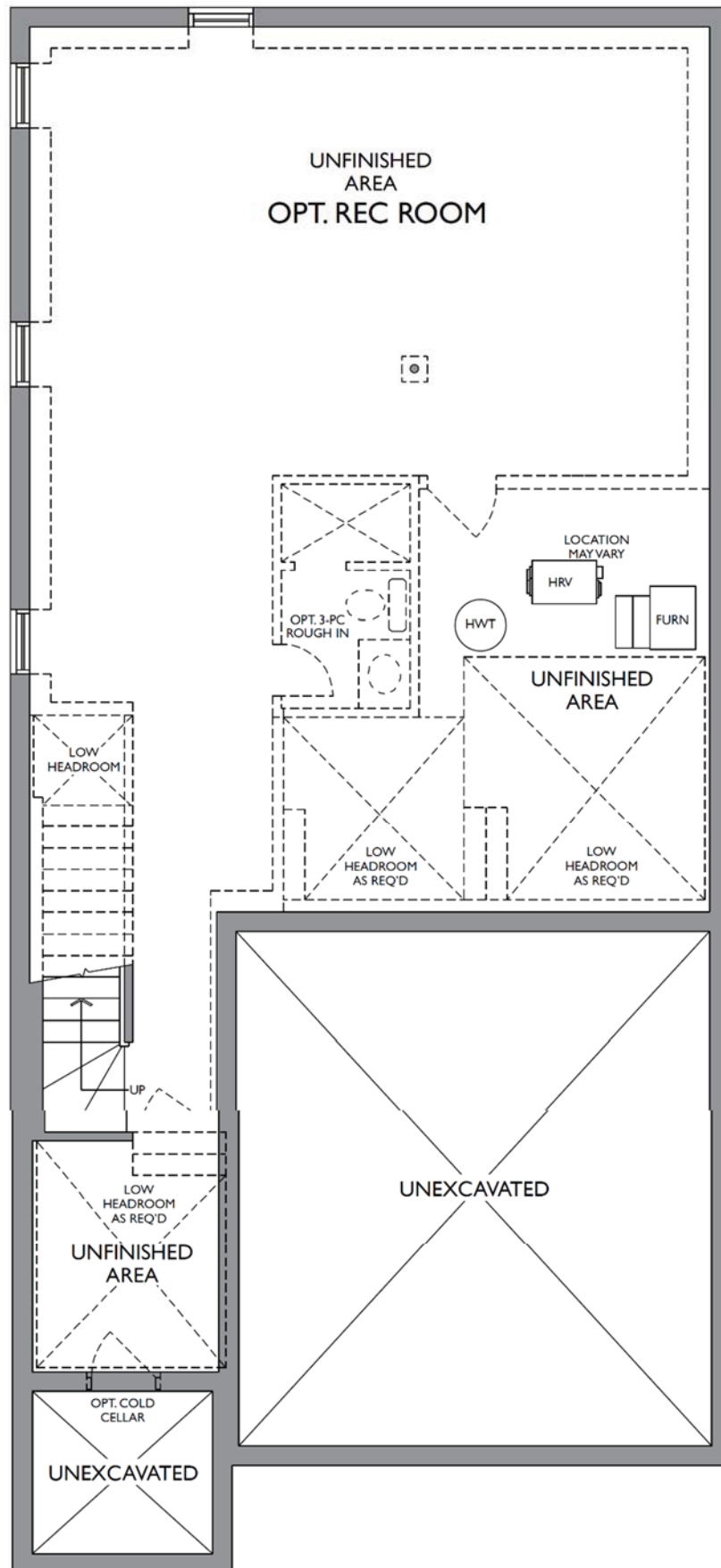
ELEVATION A & B | 2,590 SQ. FT.

706 sq. ft. of opt. finished Lower Level

WALLACETON
EST. 1870

SKETCH #1

28-2590 ELEV. B



LOWER LEVEL
ELEVATION B & C

THE BRISTOL

ELEVATION A & B | 2,590 SQ. FT.

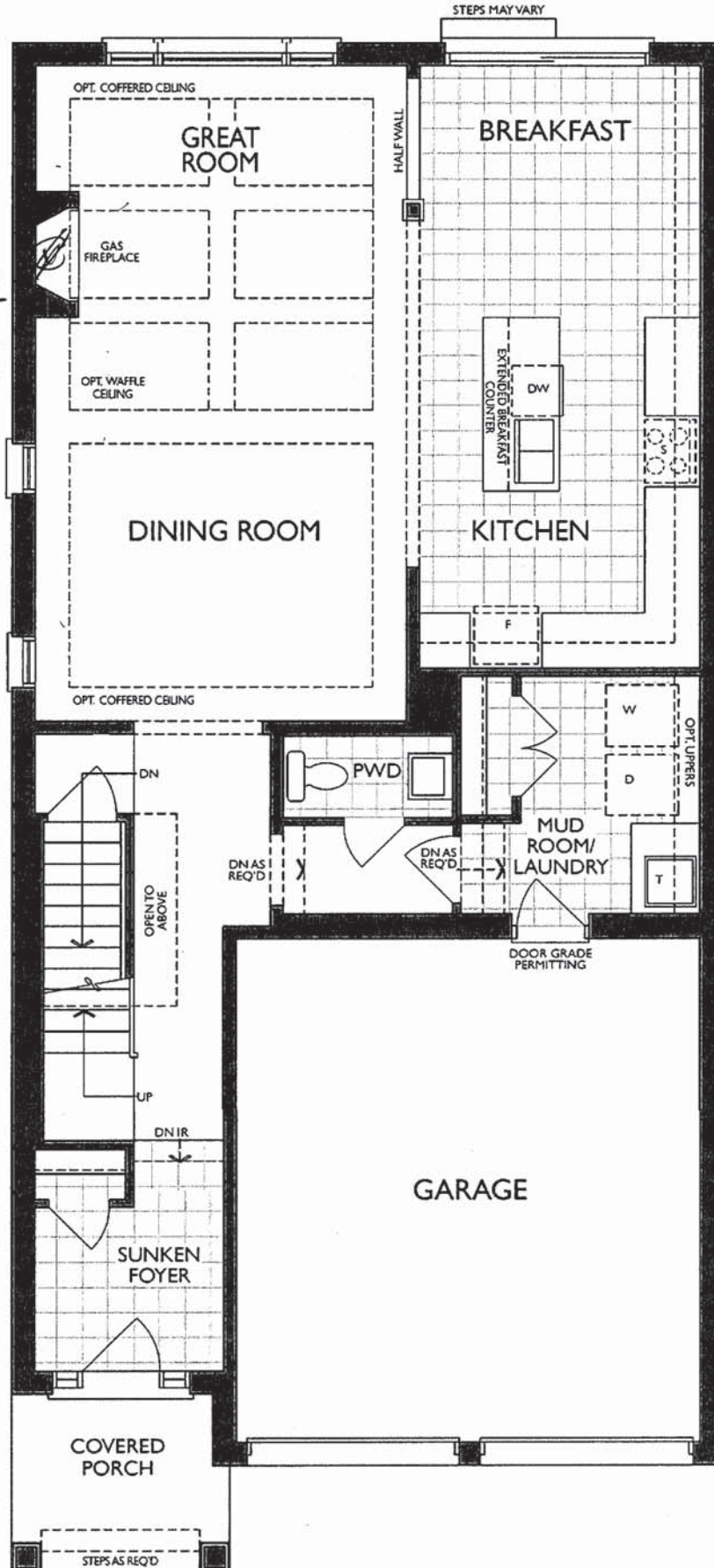
706 sq. ft. of opt. finished Lower Level

WALLACETON
EST. 1870

Sketch # 2

28-2590 ELEV. B

*ELECTRICAL
PLUG 70" +/-
FROM FLOOR*



MAIN FLOOR
ELEVATION B & C

*M
b
K.C*

THE BRISTOL

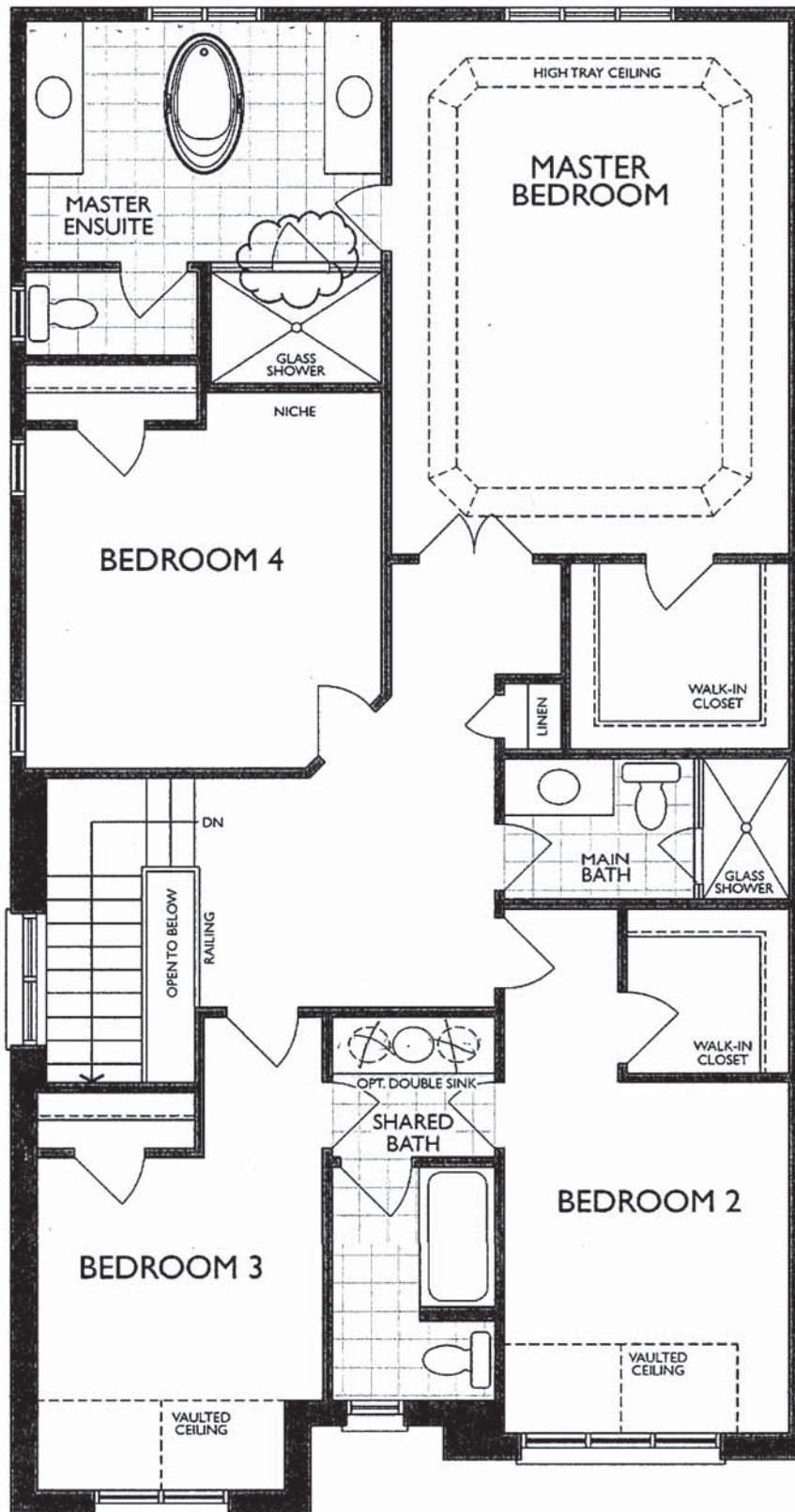
ELEVATION A & B | 2,590 SQ. FT.

706 sq. ft. of opt. finished Lower Level

WALLACETON
EST. 1870

Sketch #3

28-2590 ELEV. B

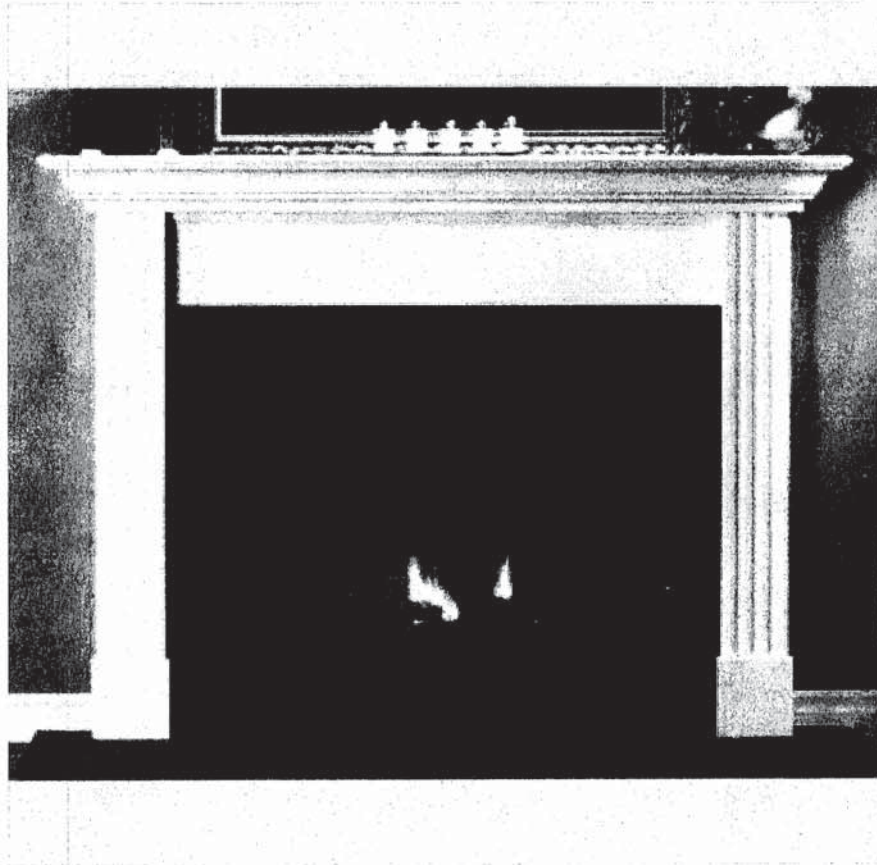


SECOND FLOOR
ELEVATION B

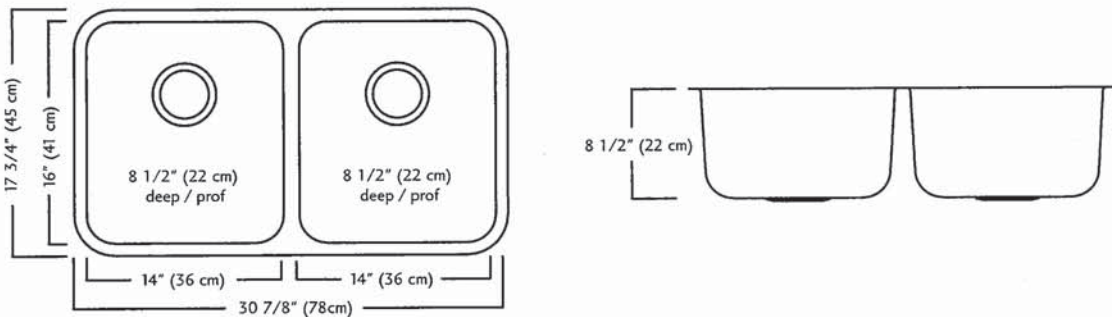
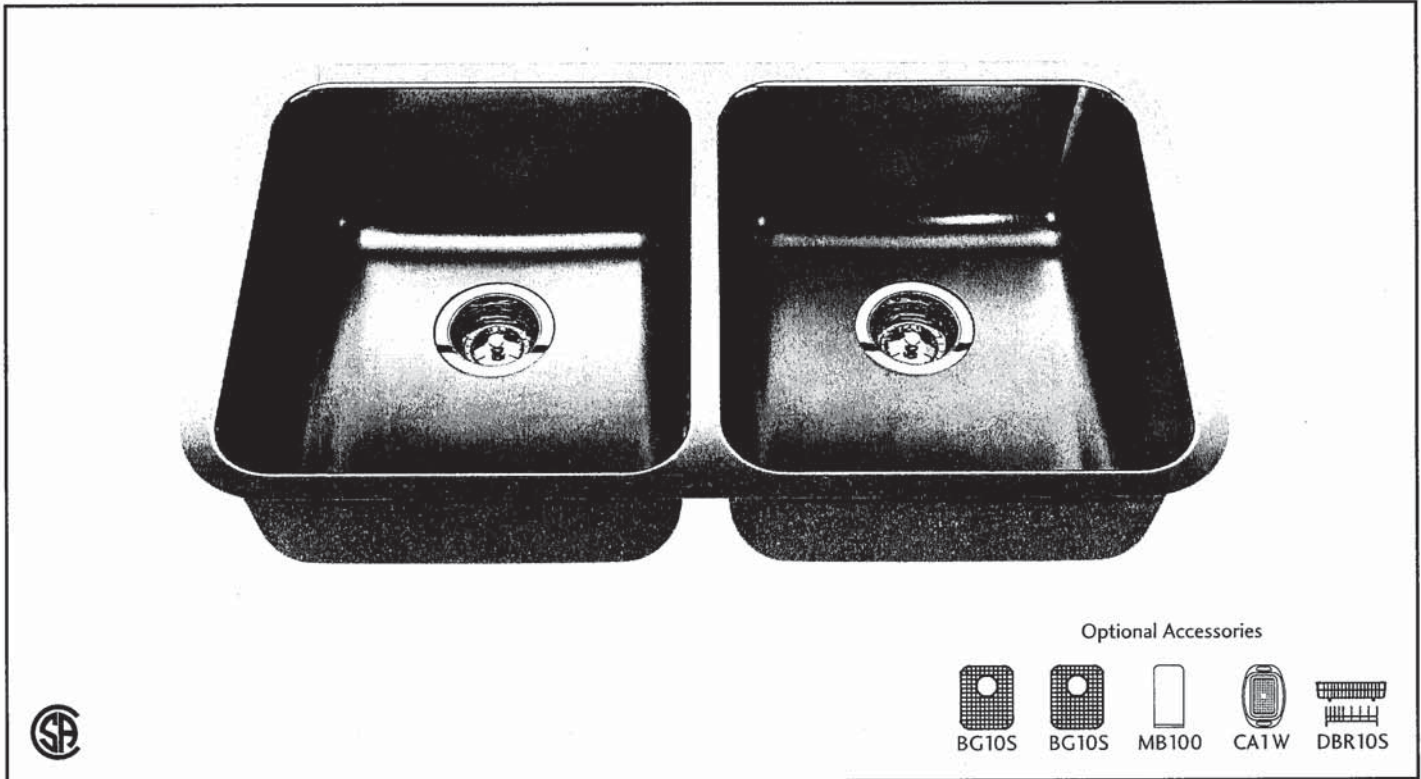
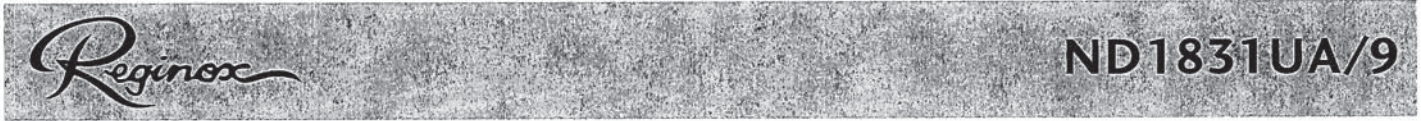
* Master Ensuite Shower Door Swing Changed

M
B

K.E



NEAS NF15 Mantel - Cabinet



ND1831UA/9 SPECIFICATION

Model ND1831UA/9 is a double (two equal size) bowl undermount sink manufactured by Franke Kindred Canada Limited from 18 gauge stainless steel. Product has silk finished rims and linear brush finished bowls. Sink is fully undercoated. Basket strainer waste fittings (3 1/2", 89 mm) are included. Sink is backed with a limited lifetime warranty.

- O.D. 17 3/4" x 30 7/8" x 8 1/2" (45 x 78 x 22 cm)
- **Recommended for minimum 36" cabinet**

Franke Kindred Canada Limited
 P.O. Box 190, 1000 Franke Kindred Road, Midland, Ontario, Canada, L4R 4K9 Phone: 866-687-7465 Fax: 800-361-8408

MOEN®

There is more than 1 version of this model.
 Page down to identify the version you have.

FAUCET DESCRIPTION

- Reflex™ pulldown system offers smooth operation, easy movement and secure docking
- Power Clean™ spray technology
- Metal construction with various finishes identified by suffix
- Duralock™ connect installation
- Pulldown spray with 68" braided hose
- Flexible supply lines with 3/8" compression fittings
- High arc spout provides height and reach to fill or clean large pots while pulldown wand provides the maneuverability for cleaning or rinsing
- 360° rotating spout
- Faucet designed for handle to be mounted on right side only

OPERATION

- Lever style handle
- Temperature controlled by 100° arc of handle travel
- Operates with less than 5 lbs. of force
- Operates in stream or spray mode in the pullout or retracted position

FLOW

- Flow is limited to 1.5 gpm (5.7 L/min) max at 60 psi

CARTRIDGE

- 1255™ Duralast™ cartridge

STANDARDS

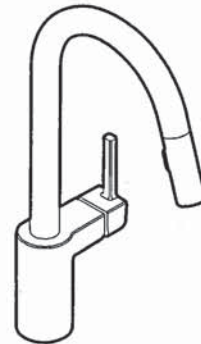
- Third party certified to IAPMO Green, ASME A112.18.1/CSA B125.1 and all applicable requirements therein including NSF 61/9G & 372
- Meets CalGreen and Georgia SB370 requirements
- Complies with California Proposition 65 and with the Federal Safe Drinking Water Act
- The backflow protection system in the device consists of two independently operating check valves, a primary and a secondary which prevent backflow

- ADA  for lever handle

WARRANTY

- Lifetime limited warranty against leaks, drips and finish defects to the original homeowner
 - 10 year limited warranty when used in a multifamily installation
 - 5 year limited warranty when used in a commercial installation
- Visit www.moen.com/support for complete details and limitations

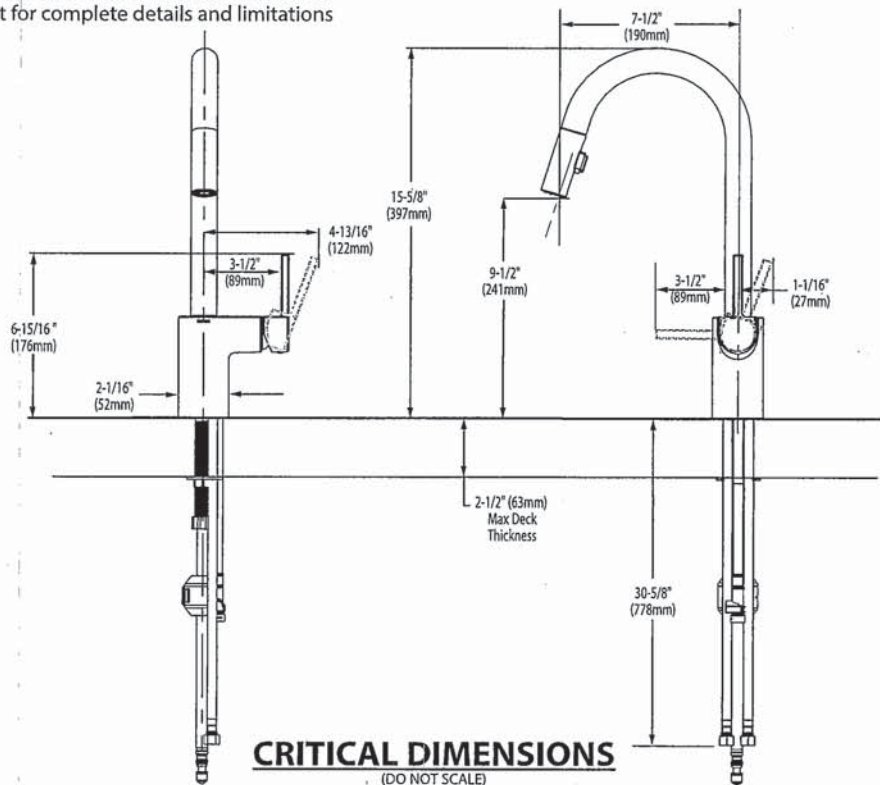
Specifications



ALIGN™
Single Handle High Arc
Pulldown Kitchen Faucet

Models: 7565 series

NOTE: THIS FAUCET IS DESIGNED TO BE INSTALLED THROUGH 1 HOLE, 1-1/2" (38mm) MIN. DIA. (OPTIONAL 3-HOLE ESCUTCHEON 141002 AVAILABLE)



Handwritten signature and initials:
 R/S
 K.S



BARRIER FREE (ABOVE COUNTER OR DROP-IN ONLY)

BOULEVARD®
PEDESTAL SINK
VITREOUS CHINA

BOULEVARD® PEDESTAL SINK

- STD **0641.800** Faucet holes on 8" (203mm) centers (Illustrated)
- 0641.400** Faucet holes on 4" (102mm) centers
- 0641.100** Center hole only
- Classic styled rectangular pedestal lavatory
 - Vitreous china
 - Rear overflow
 - Supplied with mounting kit
 - Right Height® for greater comfort during use
 - Faucet ledge with large deck area (faucet not included)
 - **Design coordinates with Boulevard® Toilet**
 - Basin has flat bottom to also allow use as an **above counter sink** or a **drop-in sink** (with u-shaped cut out)

Nominal Dimensions:

24" x 19" x 35-1/2"
(610 x 483 x 902mm)

- 0641.008** Pedestal top-8" (203mm) centers
- 0641.004** Pedestal top-4" (102mm) centers
- 0641.001** Pedestal top-center hole only
- 0010.000** Pedestal only

Bowl sizes:

17" (432mm) wide,
12-1/2" (318mm) front to back,
5" (127mm) deep

Compliance Certifications -

Meets or Exceeds the Following Specifications:

- ASME A112.19.2 - 2008/CSA B45.1-08



SEE REVERSE FOR ROUGHING-IN DIMENSIONS

To Be Specified:

- Color: White Linen
- Faucet Finish:
- Supplies:
- 1-1/4" Trap:
- Nipple:

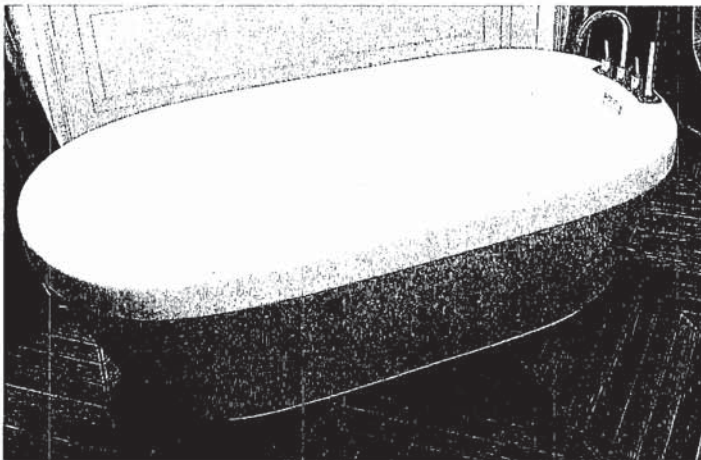
* See faucet section for additional models available

Handwritten initials:
MB
K.S



DEMI™ Product Specification Sheet

Two Piece Freestanding Collection



CF2007 Two Piece Freestanding Soaker

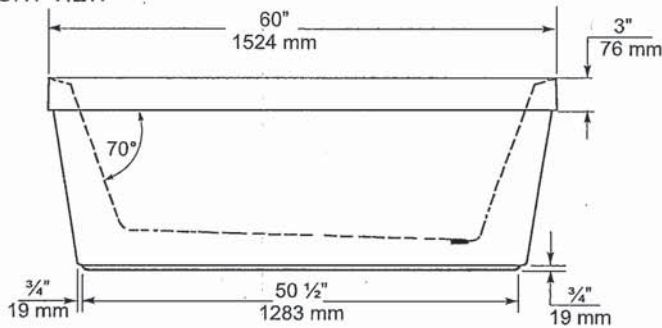
Size: 60" x 32" x 22"
 1524 mm x 813 mm x 559 mm

PRODUCT FEATURES & BENEFITS

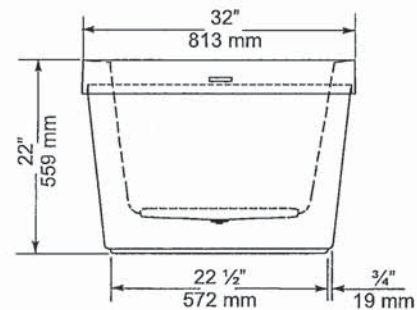
- Vacuum formed acrylic reinforced with fiberglass
- Scratch, stain and fade resistant high gloss finish
- Installation friendly two piece design
- Accepts deck mounted faucet
- Includes integral pop up drain and rectangular overflow
- Includes levelling feet

TWO PIECE ASSEMBLY

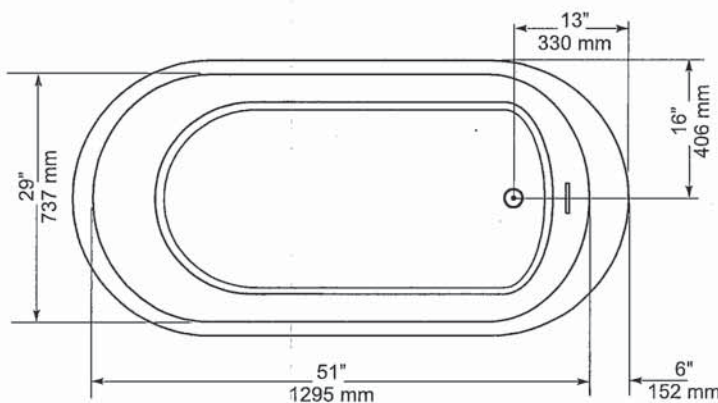
FRONT VIEW



END VIEW



TOP VIEW



GENERAL SPECIFICATIONS

Average Weight	90 lb	41 kg
Bathing Well at bottom	43" x 20"	1092 x 508 mm
Capacity Drain to Overflow		195 litres
Water Depth Drain to Overflow	16"	406 mm
Drain Opening (dia.)	2"	51 mm
Overflow Opening	2 1/4" x 1/2"	57 x 13 mm
Drain to Floor Clearance	3 1/4"	83 mm

NOTES: Please confirm measurements on actual product to ensure proper identification. Bathtub to be installed on the floor supported by 5 self levelling feet. Adjust if required to level the bathtub for adequate drainage. Refer to installation instructions for additional information.

IMPORTANT: Dimensions of fixtures are nominal and may vary ± 1/4" (6 mm). Weight may vary ± 5 lb (2.3 kg). Drawing is not to scale. These measurements are subject to change at manufacturer's discretion.

Compliance Certifications -

Meets or Exceeds the following Specifications:
 • CAN/CSA - B45 Series



60 Shorncliffe Rd., Toronto, Ontario M8Z 5K1
 Telephone: 416.231.9030 Fax: 416.231.0929
 www.mirolin.com

Customer Service: 416.231.5790
 Canada, U.S.A.: 800.MIROLIN(647-6546)
 Fax, Canada: 800.463.2236

R0084162
 25 Sep. 2018

Handwritten signature
 K.S

American Standard

Style That Works Better

FloWise™ DUAL FLUSH ELONGATED TOILET

VITREOUS CHINA

FloWise™ DUAL FLUSH ELONGATED TOILET

2476 216

- Vitreous china
- Low-consumption Dual Flush
 Full flush 6.0 Lpf/1.3 gpf,
 Partial flush 3.0 Lpf/0.66 gpf.
- Elongated wash down bowl
- Internal trapway fully-glazed,
 2-1/4" (57mm) ballpass
- Concealed trapway bowl
- Chrome-plated top mounted
 push button actuator
- Easy to clean sanitary dam on bowl
- Includes Elongated Slow Close Seat
- 100% factory flush tested
- 2 bolt caps



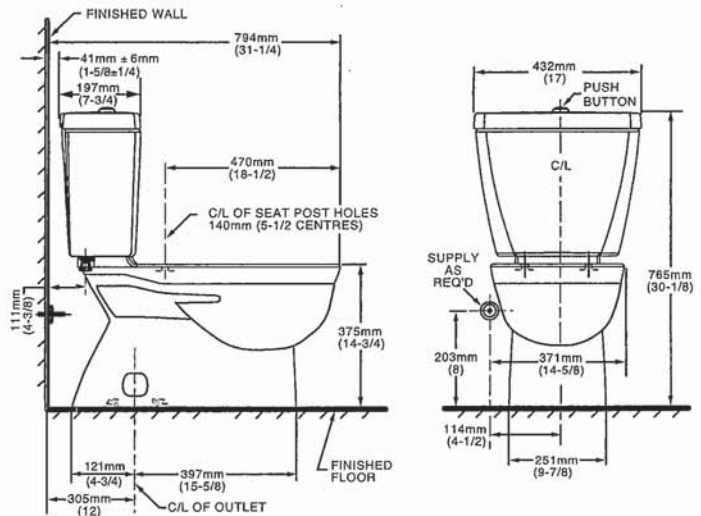
Separate Component Parts:

- 3067 316 Elongated Bowl with Slow Close Seat
- 4035 216 Unlined Tank

2476 516 Same as above with Lined tank

- 3067 316 Elongated Bowl
- 4035 516 Lined Tank

Nominal Dimensions:
 794 x 432 x 765mm
 (31-1/4" x 17" x 30-1/8")



**Compliance Certifications -
 Meets or Exceeds the Following Specifications:**

- ASME A112.19.2M (and 19.6M)
- CAN/CSA B45 series

To Be Specified

- Colour: 020 White
- Supply with stop:

NOTES:

THIS TOILET IS DESIGNED TO ROUGH-IN AT A MINIMUM DIMENSION OF 305MM (12") FROM FINISHED WALL TO C/L OF OUTLET.

SUPPLY NOT INCLUDED WITH FIXTURE AND MUST BE ORDERED SEPARATELY.

* DIMENSION SHOWN FOR LOCATION OF SUPPLY IS SUGGESTED.

FOR ADDITIONAL INFORMATION REFER TO INSTALLATION INSTRUCTIONS SUPPLIED.

IMPORTANT: Dimensions of fixtures are nominal and may vary within the range of tolerance established by ANSI Standard A112.19.2

These measurements are subject to change or cancellation. No responsibility is assumed for use of superseded or voided pages.

UPGRADED VALUE ADDED FEATURES AT NO EXTRA CHARGE

Handwritten signature

KES

MOEN®

There is more than 1 version of this model.
 Page down to identify the version you have.

DESCRIPTION

- Metal construction with various finishes identified by suffix
- Flexible supplies with 3/8" compression fittings
- Includes metal or 50/50 pop-up type waste assembly where noted

OPERATION

- Pivot action lever style handle
- Temperature controlled through 100° degree arc of handle travel


FLOW

- Water usage is limited to these maximum flow rates as indicated by the corresponding product markings
- ° 1.2 gpm max (4.5L/min) at 60 psi
- ° 1.5 gpm max (5.7L/min) at 60 psi

CARTRIDGE

- 1255™ Duralast™ cartridge
- Nonmetallic/nonferrous and stainless steel material

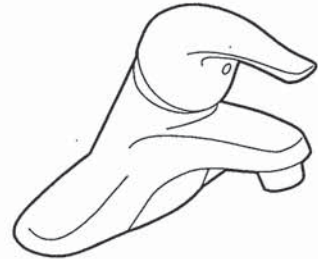
STANDARDS

- Third party certified to WaterSense®, ASME A112.18.1/CSA B125.1 and all applicable requirements referenced therein
- Certified to NSF 61/9 & 372
- Products marked with 1.2 gpm are compliant with California water efficiency regulations
- Complies with California Proposition 65 and with the Federal Safe Drinking Water Act
- **ADA**  for lever handle

WARRANTY

- Lifetime limited warranty against leaks, drips and finish defects to the original consumer purchaser
- 5 year warranty if used in commercial installations

Specifications



CHATEAU® Single-Handle Lavatory Faucet

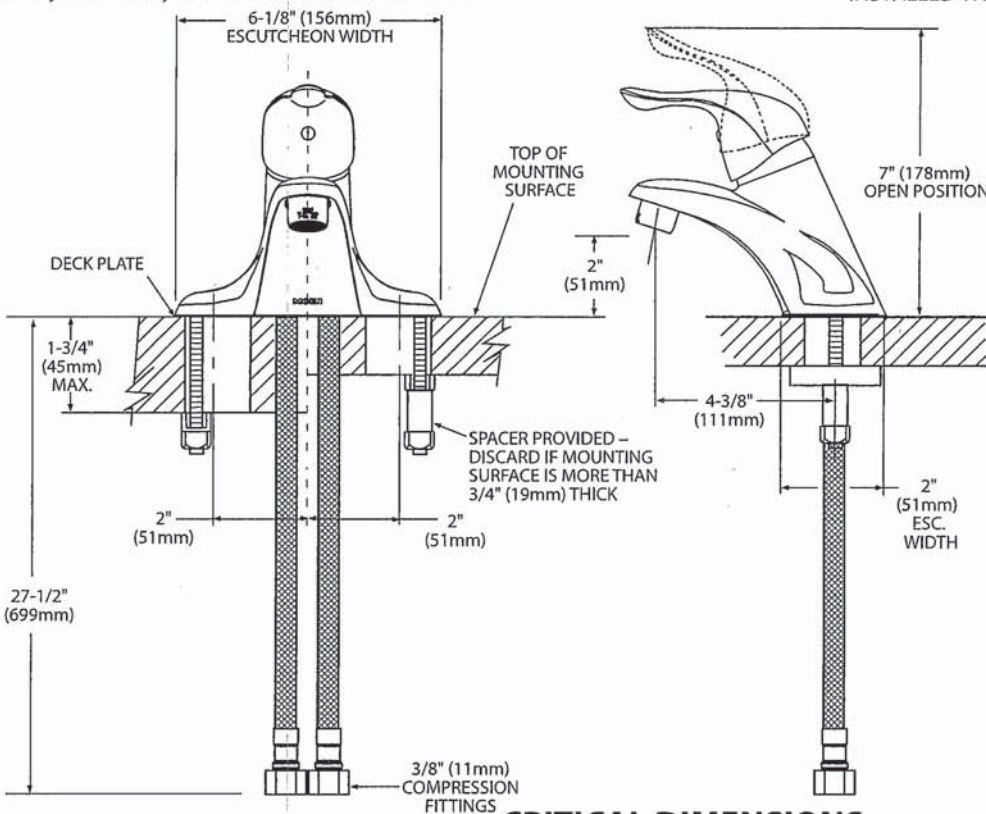
with Metal Waste Assembly
 Model: L4625 series
 L4631BC

Bulk Packed (12 per carton):
 L64624 series

with 50/50 Waste Assembly
Bulk Packed (12 per carton):
 L64625 series

Less Waste
Bulk Packed (12 per carton):
 L64600 series

NOTE: THIS FAUCET IS DESIGNED TO BE
 INSTALLED THRU 3-1" DIA. HOLES, 2" ON CENTER



CRITICAL DIMENSIONS (DO NOT SCALE)

Handwritten signature

K.S



Buy it for looks. Buy it for life.®

There is more than 1 version of this model.
 Page down to identify the version you have.

DESCRIPTION

- Metal construction with various finishes identified by suffix
- Includes non-metallic showerhead, arm, flange and non-metallic diverter tub spout

OPERATION

- Handle operates counterclockwise through a 270° arc with off at 6 o'clock and maximum hot at the 9 o'clock position. Shut off in clockwise direction
- Adjustable temperature limit stop to control maximum hot water temperature
- Pressure balancing mechanism maintains selected discharge temperature to ± 3°

FLOW

- Showerhead is limited to 2.5 gpm (9.5 L/min) at 80 psi
- EP suffix models are limited to 1.75 gpm (6.6 L/min) at 80 psi
- NH suffix models contain no showerhead

CARTRIDGE

- 1222 cartridge design
- Accommodates back to back installations
- Nonmetallic/nonferrous and stainless steel material

STANDARDS

- Third party certified to meet ASME A112.18.1/CSA B125.1 and all applicable requirements referenced therein
- EP suffix models are third party certified to WaterSense®

- ADA for lever handle

WARRANTY

- Lifetime limited warranty against leaks, drips and finish defects to the original consumer purchaser
- 5 year warranty if used in commercial installations

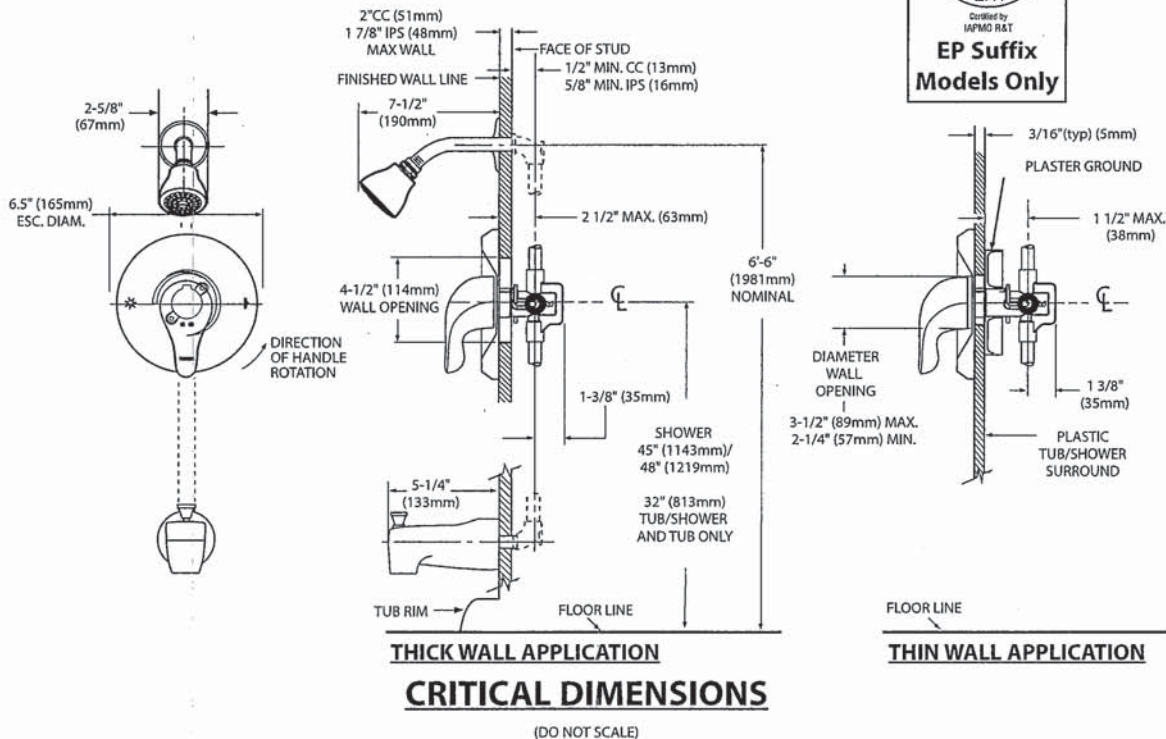
Specifications



**CHATEAU® POSI-TEMP®
 Single-Handle Tub/Shower Trim Kit**

- Models:** TL181 series - valve trim only
 (Bulk Packed 12 per carton)
 TL182 series - shower trim only
 (Bulk Packed 12 per carton)
 TL183 series - tub/shower trim
 (Bulk Packed 12 per carton)

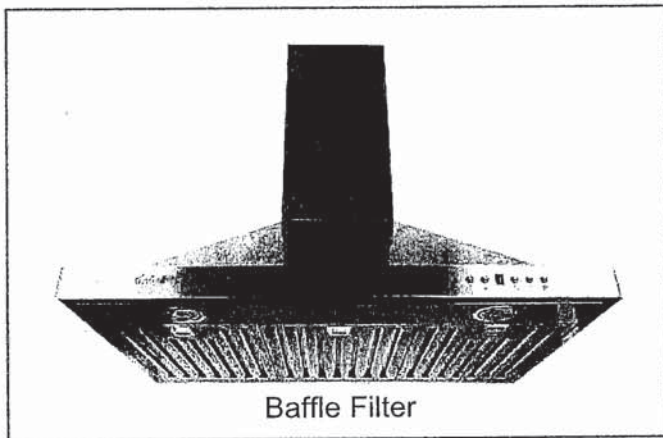
- Valves:** 62300 series
 2500 series



M/B
K.S

©2010 MOEN INC. ALL RIGHTS RESERVED

SC(B)519 | ALITO Collection



Wall Mount

Strong and sturdy with attractive lines and an imposing frame, the SC(B)519 is fitted with a time-delay OFF feature up to nine minutes, a 550 CFM fan, two bright front mounted LED lights and a digital three-speed push button control panel.

Green Features



3 Speed Push Button Control Panel



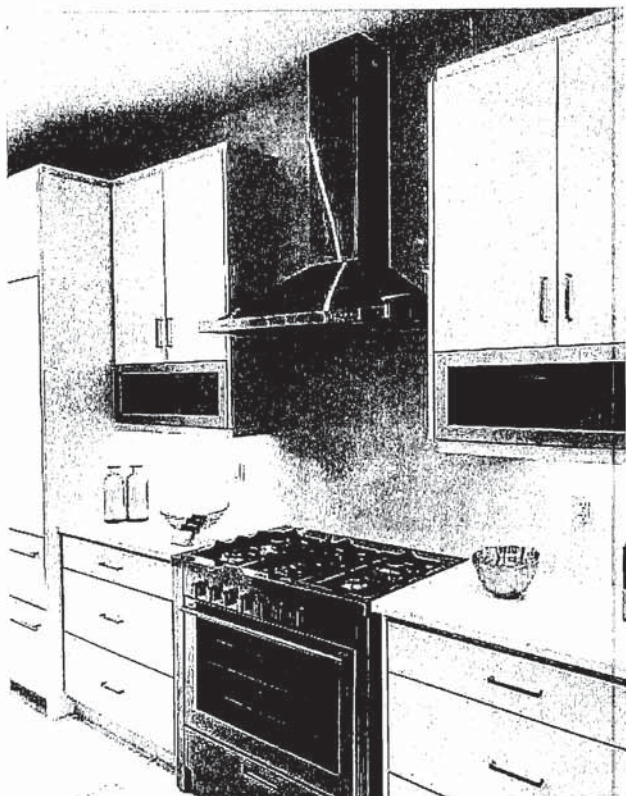
Long-Lasting LED Lights



Time-Delay OFF Feature



Grease Cup



Model	Colour	Ducting	Filters	Size	CFM
SCB51930	Stainless Steel	6"	Baffle	30"	550
SCB51936	Stainless Steel	6"	Baffle	36"	550

Cyclone Range Hoods Inc.

1361 Huntingwood Drive, Unit 16, Toronto, ON, M1S 3J1, Canada.

Toll Free: 1-888-293-5662 Tel: (416) 293-0933 Fax: (416) 293-4793 Website: www.CycloneRangeHoods.com

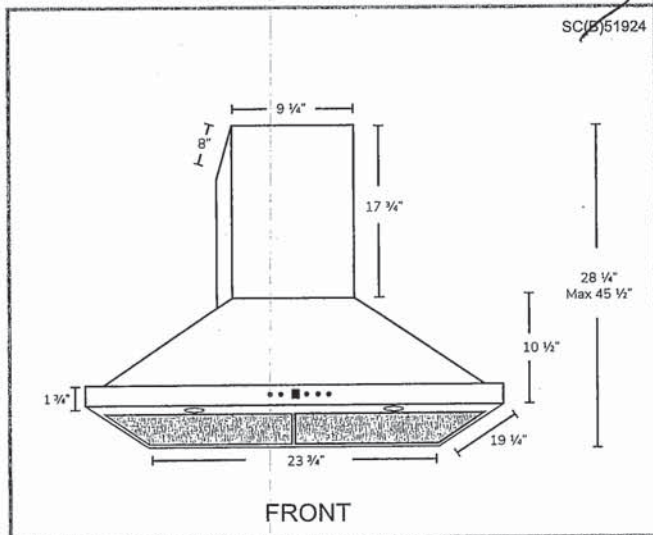
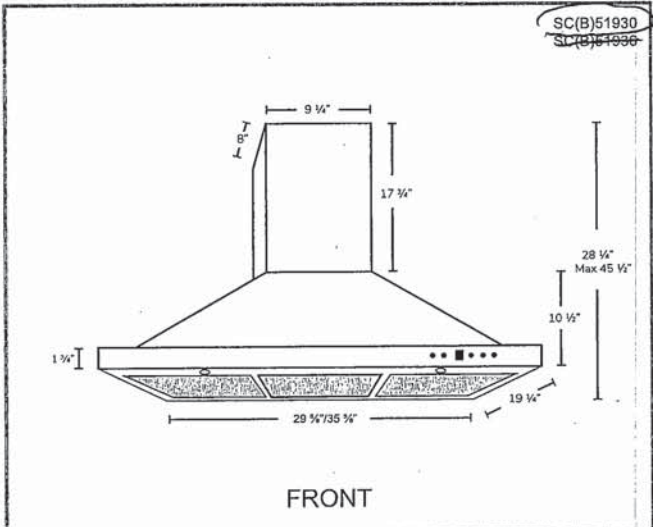
M
G
K-E

SC(B)519 | ALITO Collection

Cyclone[®]
 Breathe Better

Features

- Wall mount range hood
- 6" round duct adapter
- Non-stick aluminum fan blades
- 3 speed push button control
- 2 LED lights (2 x 1.4W, 4000K)
- Quick release aluminum mesh filters
- Standard chimney fits up to 9 ft. ceiling
- Up to 9 minutes time-delay OFF feature
- Plug-in connection



Options

- Filters:
 - SCB519 - Quick Release Stainless Steel Baffle Filters
- Chimney Flues:
 - A1.CH10 - short (7'-8' ceilings)
 - A1.CH18 - standard (8'-9' ceilings)
 - A1.CH30 - extended (9'-11' ceilings)
- Widths: 24", 30", 36"

Specifications

- | | | |
|--|--|--|
| <ul style="list-style-type: none"> • Air Flow Volume: 550 CFM • Electrical Connection: 120 V/60 Hz • Power Consumption: 300 Watts | <ul style="list-style-type: none"> • Current: 2.5 Amps • Fan Speed: 1599 RPM • Fan Type: Centrifugal Blower | <ul style="list-style-type: none"> • Finishes: Stainless Steel • Ducting: 6" Round • Noise Level: Min. 2 Sones
Max. 6 Sones |
|--|--|--|

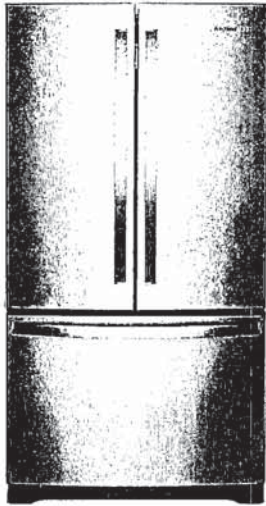
Toronto • Vancouver • Boston
www.CycloneRangeHoods.com



M
S
K.S



20 cu. ft. French Door Refrigerator
 WRF540CWH



Fingerprint-Resistant Stainless
 WRF540CWHZ

Also available in:

- White WRF540CWHW
- Black WRF540CWHB
- Fingerprint-Resistant Black Stainless WRF540CWHV

Key Features & Benefits

Fingerprint Resistant
 Resists fingerprints and smudges with an easy-to-clean finish.

Counter Depth Design
 Add additional kitchen space with styling that fits virtually flush with the countertop.

Humidity-Controlled Crispers
 Store fruits and veggies in their ideal environment.

Capacity

Total Capacity	20 cu. ft.
Refrigerator Capacity	14 cu. ft.
Freezer Capacity	6 cu. ft.

General Features & Properties

- Interior Water Dispenser with EveryDrop® Water Filtration
- Full-Width, Temperature-Controlled Drawer
- Frameless Glass Shelves
- Gallon Door Bins
- Accu-Chill™ Temperature Management System
- Adaptive Defrost
- FreshFlow™ Produce Preserver
- LED Interior Lighting
- Designed, Engineered and Assembled in the U.S.A.

Electrical Details

Amps	20
Volts	115

Certifications

ENERGY STAR® Certified Yes

Technical Details

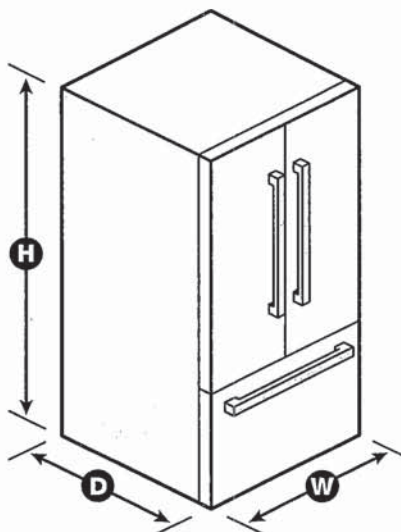
Refrigerator Type	French Door
Number of Doors	3
Number of Interior Refrigerator Shelves	5
Number of Refrigerator Door Bins	2 Fixed, 4 Adjustable
Number of Interior Freezer Shelves	1 Wire, 1 Plastic
Lighting Type	LED
Ice Maker	Factory Installed
Ice Maker Location	Freezer
Dispenser Type	Interior Water

Dimensions

Product Dimensions (H x W x D)	70-1/8" x 35-5/8" x 29 3/8"
Depth with Door Open 90°	43"
Cutout Dimensions	Allow extra 1/2" on sides and top Allow extra 1" on rear

Reference Material

- [Dimension Guide](#)
- [Use & Care Guide](#)
- [Energy Guide](#)
- [Warranty](#)



NOTE: Dimensions are for planning purposes only. For complete details, see Installation Instructions packed with product. Specifications subject to change without notice.
 ©/™ © 2020. All rights reserved. Printed in the U.S.A. D200052XXC. WRF540CWH SPECSHEETV01.

[Handwritten initials/signature]

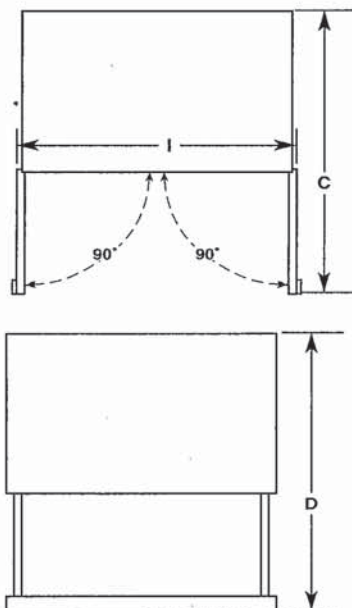
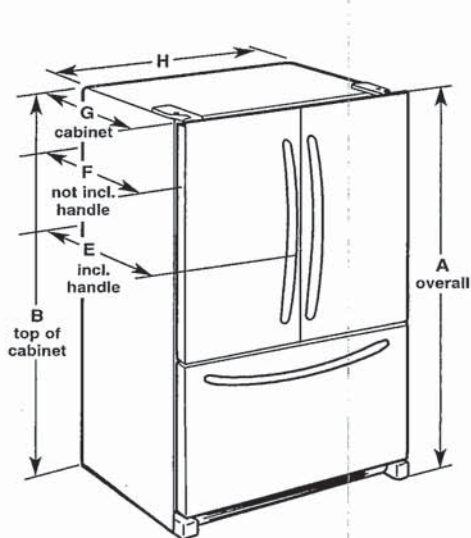
K.S



French Door Bottom Mount Refrigerator

WRF532SMH, WRF540CWH, WRF535SMH

PRODUCT DIMENSIONS



Model Number	WRF532SMH	WRF535SMH	WRF540CWH
Model Size	22.1 cu. ft.	25.2 cu. ft.	20.0 cu. ft.
Height - Overall "A"	70 $\frac{1}{8}$ " (178.1 cm)	70 $\frac{1}{8}$ " (178.1 cm)	70 $\frac{1}{8}$ " (178.1 cm)
Height - Top of Cabinet "B"	68 $\frac{7}{8}$ " (174.9 cm)	68 $\frac{7}{8}$ " (174.9 cm)	68 $\frac{7}{8}$ " (174.9 cm)
Depth - Doors Open 90° "C"	47 $\frac{1}{8}$ " (119.7 cm)	48 $\frac{1}{8}$ " (122.2 cm)	43" (109.2 cm)
Depth - Drawer Open "D"	52 $\frac{1}{8}$ " (132.4 cm)	52 $\frac{1}{8}$ " (132.4 cm)	45 $\frac{7}{8}$ " (115.3 cm)
Depth - With Handles "E"	34 $\frac{1}{2}$ " (87.4 cm)	35 $\frac{1}{2}$ " (89.9 cm)	30 $\frac{1}{2}$ " (77.5 cm)
Depth - Without Handles "F"	32" (81.3 cm)	33" (83.8 cm)	26 $\frac{7}{8}$ " (68.3 cm)
Depth - Cabinet Only "G"	28 $\frac{1}{8}$ " (71.3 cm)	29 $\frac{1}{8}$ " (73.9 cm)	24 $\frac{1}{8}$ " (61.2 cm)
Width - Cabinet "H"	32 $\frac{5}{8}$ " (82.9 cm)	35 $\frac{5}{8}$ " (90.5 cm)	35 $\frac{5}{8}$ " (90.5 cm)
Width - Door Open 90° "I"	40 $\frac{3}{8}$ " (102.6 cm)	43 $\frac{3}{8}$ " (110.2 cm)	43 $\frac{3}{8}$ " (110.2 cm)

⚠ WARNING

Electrical Shock Hazard

- Plug into a grounded 3 prong outlet.**
- Do not remove ground prong.**
- Do not use an adapter.**
- Do not use an extension cord.**

Failure to follow these instructions can result in death, fire, or electrical shock.

Electrical: A 115 V, 60 Hz, AC only 15 A or 20 A fused, grounded electrical supply is required. It is recommended that a separate circuit serving only your refrigerator be provided. Use an outlet that cannot be turned off by a switch. Do not use an extension cord.

NOTE: Before performing any type of installation, cleaning, or removing a light bulb, turn the control (Thermostat, Refrigerator or Freezer Control depending on the model) to OFF and then disconnect the refrigerator from the electrical source. When you are finished, reconnect the refrigerator to the electrical source and reset the control (Thermostat, Refrigerator or Freezer Control depending on the model) to the desired setting. See "Using the Controls."

Water: A cold water supply with water pressure between 35 psi and 120 psi (241 kPa and 827 kPa) is required to operate the water dispenser and ice maker. If you have questions about your water pressure, call a licensed, qualified plumber.

IMPORTANT: The pressure of the water coming out of a reverse osmosis system going to the water inlet valve of the refrigerator needs to be between 35 psi and 120 psi (241 kPa and 827 kPa).

Reverse Osmosis Water Supply:

If a reverse osmosis water filtration system is connected to your cold water supply, the water pressure to the reverse osmosis system needs to be a minimum of 40 psi to 60 psi (276 kPa to 414 kPa).

Handwritten signatures and initials.

K.S



French Door Bottom Mount Refrigerator

LOCATION REQUIREMENTS

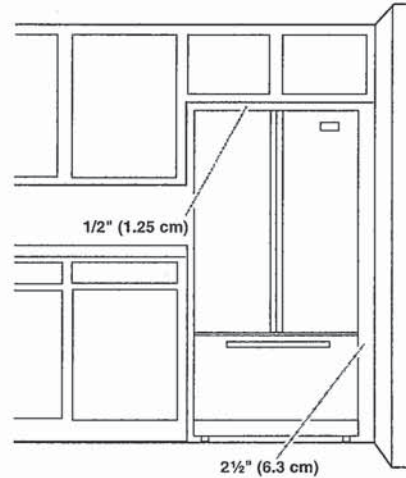
⚠ WARNING



Explosion Hazard

Keep flammable materials and vapors, such as gasoline, away from refrigerator.

Failure to do so can result in death, explosion, or fire.



IMPORTANT: This refrigerator is designed only for indoor, household use only.

To ensure proper ventilation for your refrigerator, allow for a 1/2" (1.25 cm) space on each side and at the top. Allow for 1" (2.54 cm) of space behind the refrigerator. If your refrigerator has an ice maker, make sure you leave some extra space at the back for the water line connections.

If you are installing your refrigerator next to a fixed wall, leave 2 1/2" (6.3 cm) minimum on the hinge side (some models require more) to allow for the door to swing open.

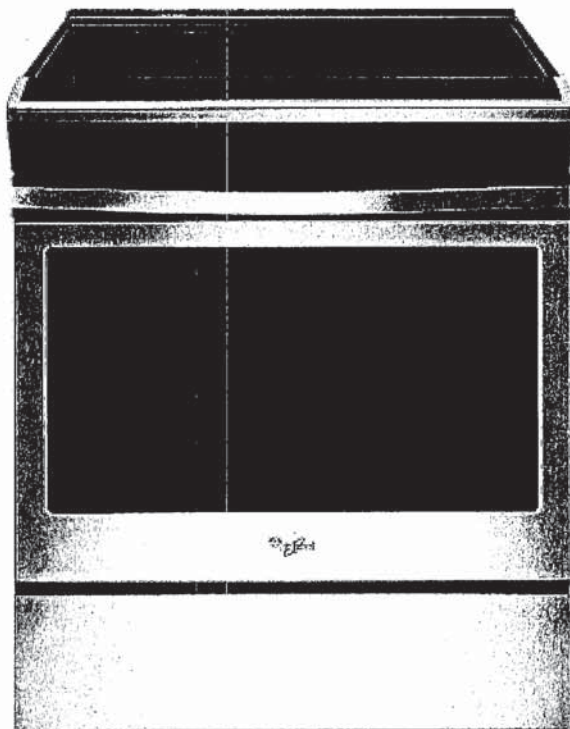
NOTE: This refrigerator is intended for use in a location where the temperature ranges from a minimum of 55°F (13°C) to a maximum of 110°F (43°C). The preferred room temperature range for optimum performance, which reduces electricity usage and provides superior cooling, is between 60°F (15°C) and 90°F (32°C). It is recommended that you do not install the refrigerator near a heat source, such as an oven or radiator.

4.8 cu. ft. guided Electric Front Control Range
with the easy-wipe ceramic glass cooktop

YWEE510S0FS

Whirlpool®

Home > Kitchen Appliances > Cooking Appliances > Ranges > Slide-In Ranges > YWEE510S0FS



Mh

LS

KCS

WHIRLPOOL YWEE510S0FS

4.8 cu. ft. guided Electric Front Control Range with the easy-wipe ceramic glass cooktop

INSTALLATION REQUIREMENTS

Tools and Parts

Gather the required tools and parts before starting installation. Read and follow the instructions provided with any tools listed here.

Tools Needed

- Tape measure
- Phillips screwdriver
- Level
- Hand or electric drill
- Wrench or pliers
- Marker or pencil
- 1/8" (3.2 mm) drill bit (for wood floors)
- Flashlight

Parts Supplied

Check that all parts are included.

- #10 x 1 5/8" (4.1 cm) screws (for mounting anti-tip bracket) (2)
- Anti-tip bracket (inside oven cavity)

Anti-tip bracket must be securely mounted to the back wall or floor. Thickness of flooring may require longer screws to anchor bracket to subfloor. Longer screws are available from your local hardware store.

Location Requirements

IMPORTANT: Observe all governing codes and ordinances.

- It is the installer's responsibility to comply with installation clearances specified on the model/serial/rating plate. The model/serial/rating plate is located behind the oven door on the top right-hand side of the oven frame.
- The range should be located for convenient use in the kitchen.
- Recessed installations must provide complete enclosure of the sides and rear of the range.
- To eliminate the risk of burns or fire by reaching over the heated surface units, cabinet storage space located above the surface units should be avoided. If cabinet storage is to be provided, the risk can be reduced by installing a range hood or microwave hood combination that projects horizontally a minimum of 5" (12.7 cm) beyond the bottom of the cabinets.
- All openings in the wall or floor where range is to be installed must be sealed.
- Cabinet opening dimensions that are shown must be used. Given dimensions are minimum clearances.
- The anti-tip bracket must be installed. To install the anti-tip bracket shipped with the range, see "Install Anti-Tip Bracket" section.
- Grounded electrical supply is required. See the appropriate "Electrical Requirements" section.
- Contact a qualified floor covering installer to check that the floor covering can withstand at least 200°F (93°C).
- Use an insulated pad or 1/4" (0.64 cm) plywood under range if installing range over carpeting.

IMPORTANT: To avoid damage to your cabinets, check with your builder or cabinet supplier to make sure that the materials used will not discolor, delaminate, or sustain other damage. This oven has been designed in accordance with the requirements of UL and CSA International and complies with the maximum allowable wood cabinet temperatures of 194°F (90°C).

WHIRLPOOL YWEE510S0FS

4.8 cu. ft. guided Electric Front Control Range with the easy-wipe ceramic glass cooktop

Mobile Home - Additional Installation Requirements

The installation of this range must conform to the Manufactured Home Construction and Safety Standard, Title 24 CFR, Part 3280 (formerly the Federal Standard for Mobile Home Construction and Safety, Title 24, HUD Part 280). When such standard is not applicable, use the Standard for Manufactured Home Installations, ANSI A225.1/NFPA 501A or with local codes.

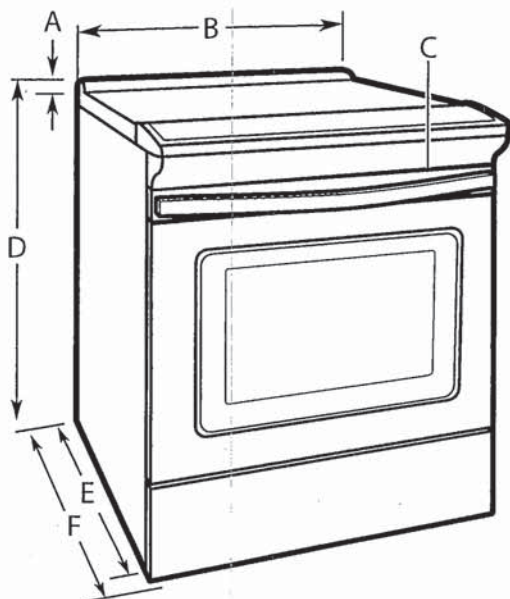
In Canada, the installation of this range must conform with the current standards CAN/CSA-A240-latest edition, or with local codes.

Mobile Home Installations Require:

- When this range is installed in a mobile home, it must be secured to the floor during transit. Any method of securing the range is adequate as long as it conforms to the standards listed above.

Product Dimensions

This manual covers several models. Your model may appear different from the models depicted. Dimensions given are maximum dimensions across all models.



- A. 13¹/₁₆" (3.0 cm) height from cooktop to top of vent
- B. 29⁷/₈" (75.9 cm)
- C. Model/serial/rating plate (located behind the oven door on the top right-hand side of the oven frame)
- D. 36" (91.4 cm) height to top of cooktop edge with leveling legs screwed all the way in*
- E. 28²⁵/₆₄" (72.1 cm) max. depth from front of console to back of range
- F. 29¹/₆₄" (73.7 cm) max. depth from handle to back of range

IMPORTANT: Range must be level after installation. Follow the instructions in the "Level Range" section. Using the cooktop as a reference for leveling the range is not recommended.

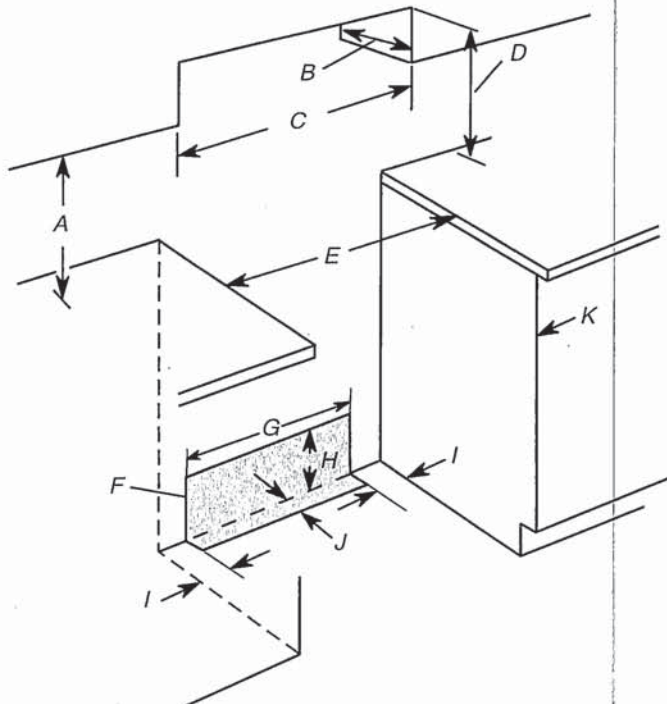
* Range can be raised approximately 1" (2.5 cm) by adjusting the leveling legs.

Cabinet Dimensions

Cabinet opening dimensions shown are for 25" (64.0 cm) countertop depth, 24" (61.0 cm) base cabinet depth, and 36" (91.4 cm) countertop height.

IMPORTANT: If installing a range hood or microwave hood combination above the range, follow the range hood or microwave hood combination installation instructions for dimensional clearances above the cooktop surface.

Range may be installed next to combustible walls with zero clearance.



- A. 18" (45.7 cm) upper side cabinet to countertop
- B. 13" (33 cm) max. upper cabinet depth
- C. 30" (76.2 cm) min. opening width
- D. For minimum clearance to top of cooktop, see NOTE*.
- E. 30" (76.2 cm) min. opening width
- F. The shaded area is recommended for installation of grounded outlet.
- G. 13¹/₈" (33.3 cm)
- H. 7¹/₁₆" (19.5 cm)
- I. 4³/₁₆" (12.2 cm)
- J. 3¹/₁₆" (9.4 cm)
- K. Cabinet door or hinges should not extend into the cutout.

* NOTE: 24" (61.0 cm) minimum when bottom of wood or metal cabinet is shielded by not less than 1/4" (0.64 cm) flame retardant millboard covered with not less than No. 28 MSG sheet steel, 0.015" (0.4 mm) stainless steel, 0.024" (0.6 mm) aluminum or 0.020" (0.5 mm) copper.

30" (76.2 cm) minimum clearance between the top of the cooking platform and the bottom of an uncovered wood or metal cabinet.


M
 b
 R.S

WHIRLPOOL YWEE510S0FS

4.8 cu. ft. guided Electric Front Control Range with the easy-wipe ceramic glass cooktop

Electrical Requirements - Canada Only

⚠ WARNING



Electrical Shock Hazard

Electrically ground range.

Failure to do so can result in death, fire, or electrical shock.

If codes permit and a separate ground wire is used, it is recommended that a qualified electrical installer determine that the ground path is adequate and wire gauge are in accordance with local codes.

Be sure that the electrical connection and wire size are adequate and in conformance with CSA Standard C22.1, Canadian Electrical Code, Part 1 - latest edition, and all local codes and ordinances.

A copy of the above code standards can be obtained from:

Canadian Standards Association
 178 Rexdale Blvd.
 Toronto, ON M9W 1R3 CANADA

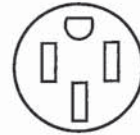
- Check with a qualified electrical installer if you are not sure the range is properly grounded.

Range Rating*		Specified Rating of Power Supply Cord Kit and Circuit Protection
120/240 Volts	120/208 Volts	Amps
8.8 - 16.5 KW	7.8 - 12.5 KW	40 or 50**
16.6 - 22.5 KW	12.6 - 18.5 KW	50

*The NEC calculated load is less than the total connected load listed on the model/serial/rating plate.

**If connecting to a 50-amp circuit, use a 50-amp rated cord with kit. For 50-amp rated cord kits, use kits that specify use with a nominal 1 3/8" (3.5 cm) diameter connection opening.

- A circuit breaker is recommended.
- This range is equipped with a CSA International Certified Power Cord intended to be plugged into a standard 14-50R wall receptacle. Be sure the wall receptacle is within reach of range's final location.



- Do not use an extension cord.
- The tech sheet and wiring diagram are located on the back of the range in a plastic bag.

Handwritten initials/signature

Handwritten initials/signature

WHIRLPOOL YWEE510S0FS

4.8 cu. ft. guided Electric Front Control Range with the easy-wipe ceramic glass cooktop

INSTALLATION INSTRUCTIONS

Unpack Range

⚠ WARNING

Excessive Weight Hazard

Use two or more people to move and install range.
Failure to do so can result in back or other injury.

1. Remove shipping materials, tape, and film from the range. Keep cardboard bottom under range. Do not dispose of anything until the installation is complete.
2. Remove oven racks and parts package from oven and shipping materials.
3. To remove cardboard bottom, first take 4 cardboard corners from the carton. Stack 1 cardboard corner on top of another. Repeat with the other 2 corners. Place them lengthwise on the floor behind the range to support the range when it is laid on its back.
4. Using 2 or more people, firmly grasp the range and gently lay it on its back on the cardboard corners.
5. Remove cardboard bottom.

The leveling legs can be adjusted while the range is on its back. See the "Adjust Leveling Legs" section.

NOTE: To place range back up into a standing position, put a sheet of cardboard or hardboard on the floor in front of range to protect the flooring. Using 2 or more people, stand range back up onto the cardboard or hardboard.

Install Anti-Tip Bracket

⚠ WARNING



Tip Over Hazard

A child or adult can tip the range and be killed.

Install anti-tip bracket to floor or wall per installation instructions.

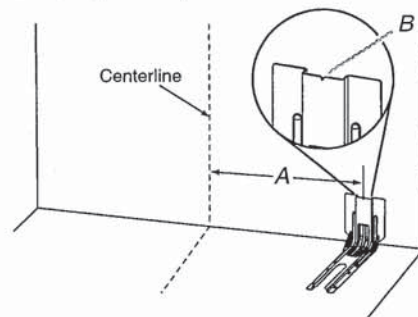
Slide range back so rear range foot is engaged in the slot of the anti-tip bracket.

Re-engage anti-tip bracket if range is moved.

Do not operate range without anti-tip bracket installed and engaged.

Failure to follow these instructions can result in death or serious burns to children and adults.

1. Remove the anti-tip bracket from the inside of the oven.
2. Determine which mounting method to use: floor or wall.
If you have a stone or masonry floor, you can use the wall mounting method. If you are installing the range in a mobile home, you must secure the range to the floor.
This anti-tip bracket and screws can be used with wood or metal studs.
3. Determine and mark centerline of the cutout space. The mounting bracket can be installed on either the left-hand or right-hand side of the cutout. Position mounting bracket against the wall in the cutout so that the V-notch of the bracket is 12½" (31.8 cm) from centerline as shown.



A. 12½" (31.8 cm)

B. Bracket V-notch

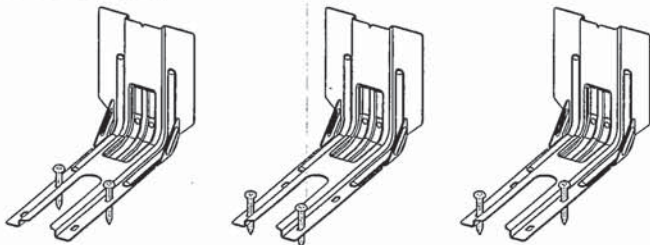
M
B
KE

WHIRLPOOL YWEE510S0FS

4.8 cu. ft. guided Electric Front Control Range with the easy-wipe ceramic glass cooktop

4. Drill two 3/8" (3 mm) holes that correspond to the bracket holes of the determined mounting method. See the following illustrations.

Floor Mounting

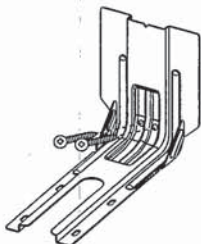


Rear position

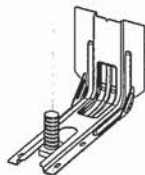
Front position

Diagonal (2 options)

Wall Mounting



- Using the two #10 x 1 5/8" (4.1 cm) Phillips-head screws provided, mount anti-tip bracket to the wall or floor.
- Move range close enough to opening to allow for final electrical connections. Remove shipping base, cardboard, or hardboard from under range.
- Move range into its final location, making sure rear leveling leg slides into anti-tip bracket.



- Move range forward onto shipping base, cardboard, or hardboard to continue installing the range, using the following installation instructions.

Adjust Leveling Legs

- If range height adjustment is necessary, use a wrench or pliers to loosen the 4 leveling legs. This may be done with the range on its back or with the range supported on 2 legs after the range has been placed back to a standing position.

NOTE: To place range back up into a standing position, put a sheet of cardboard or hardboard in front of range. Using 2 or more people, stand range back up onto the cardboard or hardboard.

⚠ WARNING



Tip Over Hazard

A child or adult can tip the range and be killed. Install anti-tip bracket to floor or wall per installation instructions.

Slide range back so rear range foot is engaged in the slot of the anti-tip bracket.

Re-engage anti-tip bracket if range is moved.

Do not operate range without anti-tip bracket installed and engaged.

Failure to follow these instructions can result in death or serious burns to children and adults.

- Measure the distance from the top of the counter to the floor.
- Measure the distance from the top of the cooktop to the bottom of the leveling legs. This distance should be the same. If it is not, adjust the leveling legs to the correct height. The leveling legs can be loosened to add up to a maximum of 1" (2.5 cm). A minimum of 3/16" (5 mm) is needed to engage the anti-tip bracket.

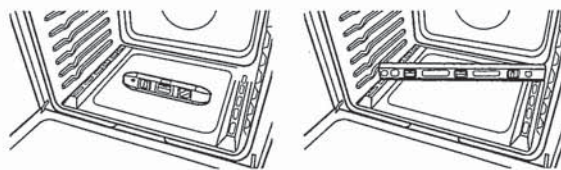
NOTE: If height adjustment is made when range is standing, tilt the range back to adjust the front legs, and then tilt forward to adjust the rear legs.

- When the range is at the correct height, check that there is adequate clearance under the range for the anti-tip bracket. Before sliding range into its final location, check that the anti-tip bracket will slide under the range and onto the rear leveling leg prior to anti-tip bracket installation.

NOTE: If a Trim Kit will be used, the top of the cooktop should be higher than the counter. See the Installation Instructions included with the Trim Kit for the correct height.

Level Range

- Place level on the oven bottom, as indicated in one of the 2 figures below, depending on the size of the level. Check with the level side to side and front to back.



- If range is not level, use a wrench or pliers to adjust leveling legs up or down until the range is level.

MM

B

K.S



53 dBA* Front Control Dishwasher

WDF540PAD



Monochromatic Stainless Steel
WDF540PADM

Also available in:

- White **WDF540PADW**
- Black **WDF540PADB**

Capacity

Total Place Settings 15

General Features & Properties

Soil Sensor

In-Door Silverware Basket

Sani Rinse Option

Normal Cycle

Heavy Cycle

High Temperature Wash Option

Heated Dry Option

ENERGY STAR® Certified

Industry's Best Selling Dishwasher Brand†

Electrical Details

Amps 15

Volts 120

Hz 60

Certifications

ENERGY STAR® Certified Yes

Technical Details

Dishwasher Type	Built-in
Control Location	Front
Control Type	Electronic
Number of Wash Cycles	5
Number of Options	5
dBA*	53
Number of Racks	2
Tub Material	Plastic
Wash System	Filter
Wash System Type	Removable Filter
Number of Wash Arms	3

Dimensions

Product Dimensions (H x W x D)	34-1/2" x 23-7/8" x 24-1/2"
Depth with Door Open 90°	49-1/2"

Reference Material

- [Dimension Guide](#)
- [Install Guide](#)
- [Use & Care Guide](#)
- [Energy Guide](#)
- [Warranty](#)

Key Features & Benefits

Sensor Cycle

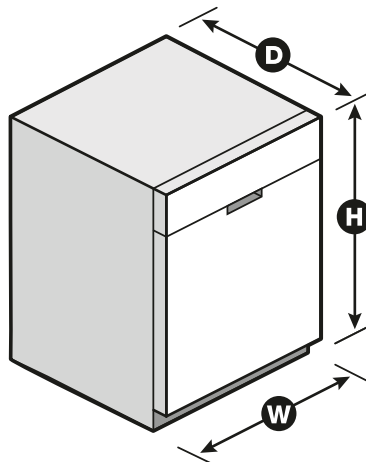
Automatically get the right wash and dry settings for each load with two sensors that measure temperature, soil level and load size during prewash and the wash cycle.

1-Hour Wash Cycle

Clean the dishes you need fast with a cycle that thoroughly takes care of plates, pans and glasses in just an hour.**

Cycle Memory

Quickly start your dishwasher with one button. It automatically remembers the last cycle you picked so it's stored and ready to go.



*Per IEC standards. **Compared to Normal cycle with lightly soiled loads. †Based on 12-month average of unit sales. TraQline 2018. NOTE: Dimensions are for planning purposes only. For complete details, see Installation Instructions packed with product. Specifications subject to change without notice. ©/™ © 2020. All rights reserved. Printed in the U.S.A. D200052XXA. WDF540PADSPECSHEETV01.

Whirlpool® Undercounter Dishwasher

PRODUCT MODEL NUMBERS

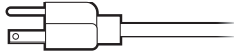
WDF110PAB	WDF310PLA	WDF530PSY
WDF111PAB	WDF320PAD	WDF540PAD
WDF120PAF	WDF510PAY	WDF730PAY
WDF121PAF	WDF520PAD	WDT710PAY
WDF310PAA	WDF530PAY	WDT720PAD
WDF310PCA	WDF530PLY	WDT770PAY

Electrical Requirements: 120-volt, 60-Hz, AC only, 15- or 20-amp. fused electrical supply. Copper wire only. A time delay fuse or circuit breaker and separate circuit is recommended.

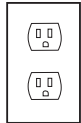
If direct wiring dishwasher: Use flexible, armored, or nonmetallic, sheathed copper wire with grounding wire that meets the wiring requirements for your home and local codes and ordinances. Use a UL listed or CSA approved conduit connector.



If connecting dishwasher with a power supply cord: Use Power Supply Cord Kit (Part No. 4317824) marked for use with dishwashers. Follow the kit instructions for installing the power supply cord.



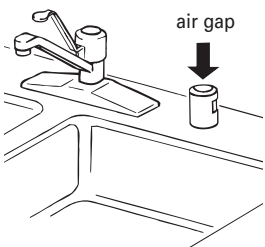
Power supply cord must plug into a grounded 3 prong, outlet, located in the cabinet next to the dishwasher opening. Outlet must meet all local codes and ordinances.



Water Supply Requirements: A hot water line with 20 to 120 psi (138 to 862 kPa) water pressure. Water temperature must be 120°F (49°C) water at dishwasher. Use 3/8" O.D. copper tubing with compression fitting or flexible braided water supply line (1/2" minimum plastic tubing is not recommended). Use a 90° elbow with 3/4" N.P.T. external pipe threads on one end. Do not solder within 6" (15.2 cm) from water inlet valve.

Drain Requirements: A new drain hose is supplied with your dishwasher. If this is not long enough, use a new drain hose with a maximum length of 12' (3.7 m) (Part No. 3385556) that meets all current AHAM/IAPMO test standards, is resistant to heat and detergent, and fits the 1" (2.5 cm) drain connector of the dishwasher.

Make sure to connect the drain hose to waste tee or disposer inlet above drain trap in house plumbing and 20" (50.8 cm) minimum above the floor. It is recommended



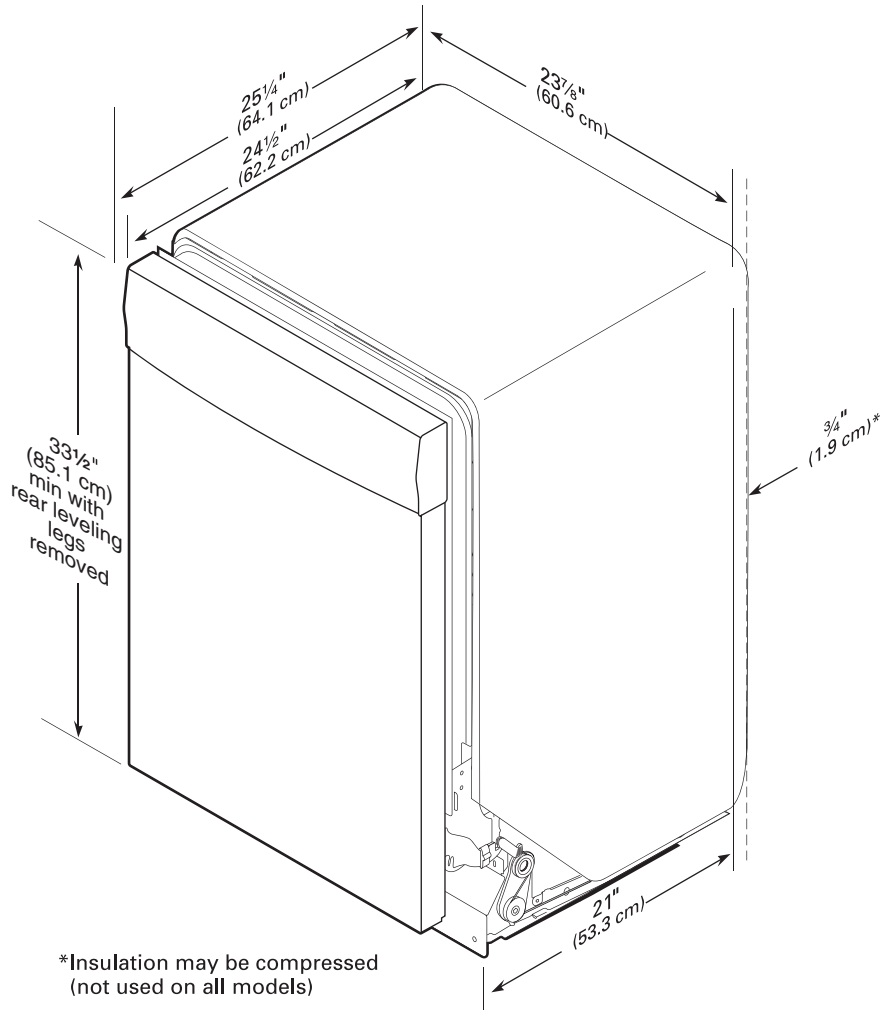
that the drain hose either be looped up and securely fastened to the underside of the counter or be connected to an air gap.

Make sure to use an air gap if the drain hose is connected to house plumbing lower than 20" (50.8 cm) above subfloor or floor.

Use 1/2" (1.3 cm) minimum I.D. drain line fittings.

If required, the air gap should be installed in accordance with the air gap installation instructions. When connecting the air gap, a rubber hose (not provided) will be needed to connect to the waste tee or disposer inlet.

PRODUCT DIMENSIONS



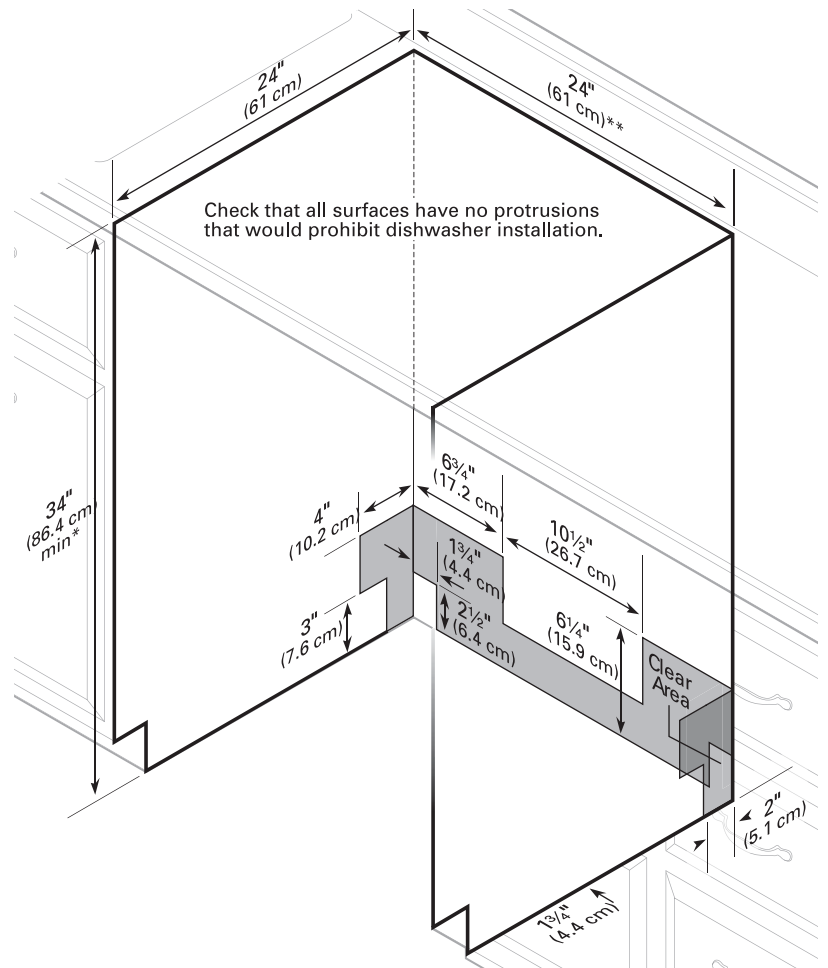
*Insulation may be compressed (not used on all models)

CABINET CUTOUT DIMENSIONS

NOTE: Shaded areas of cabinet walls show where utility connections may be installed.

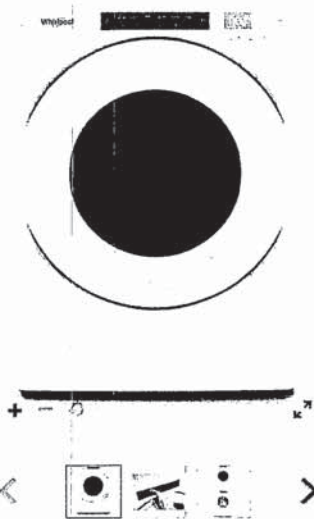
*Measure from the lowest point on the underside of the countertop. May be reduced to 33½" (85.1 cm) by removing the rear leveling legs from dishwasher.

**Minimum, measured from narrowest point of opening.



WHIRLPOOL DRYER Model #: YWED5620HW

Whirlpool Brand Canada English | Washer and Dryers | Dryers | Electric Dryers | YWED5620HW



Define Your Style

7.4 cu. ft. Front Load Electric Dryer with Intuitive Touch Controls

Whirlpool 7.4 cu. ft. Front Load Electric Dryer with Intuitive Touch Controls
 Model #: YWED5620HW

Dimensions

Depth	78.74 cm, 31.0 in
Depth With Door Open 90 Degree	138.43 cm, 54-1/2 in
Height	98.42 cm, 38-3/4 in
Width	68.58 cm, 27.0 in

Configuration and Overview

Fuel Type	Electric
-----------	----------

Cycles and Options

Cycle Time Remaining	Yes
Lint Filter Indicator	No
Number of Dryer Cycles	36
Number of Dryness Levels	3

Ventilation System

Long Vent	No
Maximum Vent Length	64
Venting Direction	Left, Right, Bottom, Rear

Electrical

Hz	60
Power Cord Included	Yes

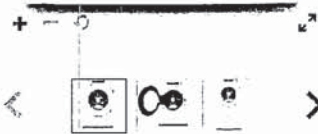
Handwritten signatures and initials:
 MR
 BS
 K.S

WHIRLPOOL WASHER Model #: WFW5620HW

Whirlpool Brand Canada English | Washer and Dryers | Washers | Front Load Washers | WFW5620HW



5.2 cu. ft. I.E.C. Closet-Depth Front Load Washer with Load & Go™ Dispenser



Whirlpool 5.2 cu. ft. I.E.C. Closet-Depth Front Load Washer with Load & Go™ Dispenser
 Model #: WFW5620HW

Dimensions

Depth	80.17 cm, 31-9/16 in
Depth With Door Open 90 Degree	143.51 cm, 56-1/2 in
Minimum Height	98.11 cm, 38-5/8 in
Width	68.58 cm, 27.0 in

Appearance

LCD Touch Screen	No
Window	Yes

Details

Drum Material	Stainless Steel
---------------	-----------------

Cycles and Options

Number of Wash Cycles	37
-----------------------	----

Electrical

Hz	60
Power Cord Included	Yes

Handwritten signatures and initials:
 MK
 ES
 KES