

Sales Selection Sheet
Checklist

1 of 41

LOT 352 Model: 28-2590 B THE BRISTOL
PURCHASERS: BALJINDER, S BRAR/
VENDOR: Heathwood Homes (Huron) Limited

- WOB
- DECK
- FINISHED BASEMENT
- COLD CELLAR

UPGRADED / MODIFIED ELEVATION

- CORNER UPGRADE
- REAR UPGRADE
- SIDE UPGRADE

CEILING UPGRADE - SMOOTH

- MAIN FLOOR
- SECOND FLOOR
- BASEMENT

ADDITIONAL ROUGH-INS

- 200 AMP SERVICE (STD IN SINGLES)
- WET BAR ROUGH-IN
- HUMIDIFIER
- AIR CONDITIONING (SITE STD)

GAS ROUGH-IN

- STOVE
- DRYER
- BBQ
- ADDITIONAL FIREPLACE

KITCHEN: HOODFAN VENTING SIZE

- 6 IN ROUND DUCT
- 7 IN ROUND DUCT

FULL BASEMENT STAIRS:	Paint Grade
UPPER BASEMENT STAIRS:	N/A
LOWER LEVEL STAIRS:	N/A
MAIN STAIRS:	All Oak
MEDIA STAIRS (if applicable):	N/A
LOFT STAIRS (if applicable):	N/A

Sept 29/22
Date Purchaser: *Signature*
on file

Sept 29/22 BRENOA LUKER
Date Decor Consultant:

Date Purchaser:

~~XXXXXX~~
-09- 29 2022
Date Heathwood Homes (Huron) Limited

Locked Date:

Approved

M Rosen

Customer Colours

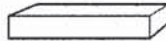
BALJINDER, S BRAR/
 Project: Wallaceston
 Unit: 352, Phase: 3
 Model: 28-2590 B THE BRISTOL

Locked:

Closed:

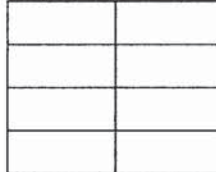
Kitchen

Cabinet Colour/Style	9111	Viking III-SIMCOE ORCHID 3DL ***STD***
Island Cabinet Colour/Style	9111	Viking III-SIMCOE ORCHID 3DL ***STD***
Cabinet Hardware	9149	12817 MB BLACK-HARDWARE ***2***
Countertop	9069	MSI Quartz GROUP 1 ICED WHITE ***STD***
Island Countertop	9069	MSI Quartz GROUP 1 ICED WHITE ***STD***
Countertop Edge	4010	SINGLE POLISHED STRAIGHT EDGE 3/4 INCH ***STD***



- Please note some islands may require a seam as per manufacturer and fabricator discretions.

Sink	9487	Plumbing-KINDRED Kitchen Sink Collection - Reginox ND1831 U/9-Double (equal size) Bowl Undermount Sink (or equivalent)-Stainless Steel
HoodFan	9904	YWMH31017HZ-Whirlpool Over-The-Range Microwave Hood Combination-SS-30 inch
Backsplash	9019	TH.TW.WHT.0812-Twill-White Satin Matte-8 x 12 ***2***
Backsplash Grout	2226	Grout-(00) White ***STD***
Backsplash Tile Pattern	3070	HORIZONTAL STACKED ***STD***



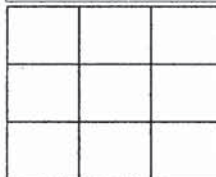
- Purchasers have been advised: standard fridge opening is a minimum 37 3/8 x 73 3/8 inches. Ice Waterline Rough-In is included.

- Standard stove opening is 30 inches and standard dishwasher opening is 24 inches. Any gas stove will require backsplash or stainless steel backing to avoid fire hazards.

- Purchasers acknowledge: Heathwood Homes and its contractors will not be responsible for any kitchen cabinet changes due to appliances dimension changes after sign-off.

Kitchen / Breakfast

Flooring	5589	GE.BY.PEN.1313 New Byzantine Pentalllic (Grey) 13 x13 *** STD ***
Floor Tile Grout	2225	Grout-(27) Silver ***STD***
Floor Tile Pattern	3000	STANDARD SQUARE ***STD***



Comment

Foyer

Flooring	5589	GE.BY.PEN.1313 New Byzantine Pentalllic (Grey) 13 x13 *** STD ***
Floor Tile Grout	2225	Grout-(27) Silver ***STD***
Floor Tile Pattern	3000	STANDARD SQUARE ***STD***

Customer Colours

BALJINDER, S BRAR/
 Project: Wallaceton
 Unit: 352, Phase: 3
 Model: 28-2590 B THE BRISTOL

Locked:
 Closed:

Floor Tile Pattern	9904	STANDARD SQUARE ***STD***
--------------------	------	---------------------------

Comment

Powder Room

Flooring	9904	GE.BY.PEN.1313 New Byzantine Pentalic (Grey) 13 x13 *** STD ***
Floor Tile Grout	9904	Grout-(27) Silver ***STD***
Floor Tile Pattern	9904	STANDARD SQUARE ***STD***

Plumbing Fixture (Colour)	9904	Plumbing Fixtures-WHITE ***STD***
---------------------------	------	-----------------------------------

Comment

Mud Room / Laundry

Flooring	9904	GE.BY.PEN.1313 New Byzantine Pentalic (Grey) 13 x13 *** STD ***
Floor Tile Grout	9904	Grout-(27) Silver ***STD***
Floor Tile Pattern	9904	STANDARD SQUARE ***STD***

Opt. Cabinet Colour/Style - Uppers	1111	N/A *****
------------------------------------	------	-----------

Opt. Cabinet Hardware - Uppers	1111	N/A *****
--------------------------------	------	-----------

Cabinet Colour/Style - Base	9111	VIKING III SIMCOE ORCHID 3DL ***UPG***
-----------------------------	------	--

Cabinet Hardware - Base	7667	12881-HARDWARE ***STD***
-------------------------	------	--------------------------

Countertop	8801	P-344 LM-Countertop-INKUSHUK GREY-Arborite ***STD***
------------	------	---

Opt. Countertop Edge	1111	N/A *****
----------------------	------	-----------

Comment BRISTOL HAS STD LAUNDRY BASE

Main Hall

Flooring	1111	Red Oak Pearl-Vintage Engineered-GRYPHON/IRONGATE-3/4 inch x 3 1/4 inch
----------	------	--

Comment

Customer Colours

BALJINDER, S BRAR/
Project: Wallaceton
Unit: 352, Phase: 3
Model: 28-2590 B THE BRISTOL

Locked:

Closed:



Dining Room

Flooring 7498 Red Oak Pearl-Vintage
Engineered-GRYPHON/IRONGATE-3/4 inch x 3 1/4 inch

Comment

Great Room

Flooring 7498 Red Oak Pearl-Vintage
Engineered-GRYPHON/IRONGATE-3/4 inch x 3 1/4 inch

Comment

Great Room Fireplace

Type 8869 Majestic MERC32 ***STD***

Mantle 8891 NF-17-Paint Grade Mantle- Cabinet (Per Plan)-WHITE
STD

Surround (Opt.) 1111 N/A *****

- Purchasers have been advised: heat from the FP can damage TV above a FP and items placed on mantle.

- Heathwood and its contractors will not be liable for any damage on items placed/@installed above a FP after closing.

Comment

Upper Hall

Flooring 9504 87354-MINOTAUR-OVERCAST-40 oz Poly ***STD***

Comment

Master Bedroom

Flooring 9504 87354-MINOTAUR-OVERCAST-40 oz Poly ***STD***

Comment

Bedroom 2

Flooring 9504 87354-MINOTAUR-OVERCAST-40 oz Poly ***STD***

Comment

Bedroom 3

Flooring 9504 87354-MINOTAUR-OVERCAST-40 oz Poly ***STD***



Customer Colours

BALJINDER, S BRAR/
 Project: Wallaceon
 Unit: 352, Phase: 3
 Model: 28-2590 B THE BRISTOL

Locked:
 Closed:



Comment

Bedroom 4

Flooring 9504 87354-MINOTAUR-OVERCAST-40 oz Poly ***STD***

Comment

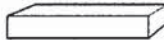
Master Ensuite

Cabinet Colour/Style 9156 Viking III-SIMCOE-RAIN CLOUD-3DL ***STD***

Cabinet Hardware 7667 12881-HARDWARE ***STD***

Countertop 9069 MSI Quartz GROUP 1 ICED WHITE ***STD***

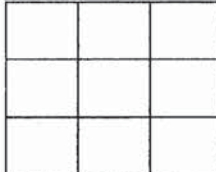
Countertop Edge 4010 ~~SINGLE~~ POLISHED STRAIGHT EDGE 3/4 INCH ***STD***



Floor Tile 9071 GE.BY.AZR.1313 New Byzantine Azzuro 13 x13 *** STD ***

Floor Tile Grout 2225 Grout-(27) Silver ***STD***

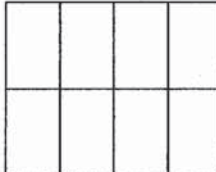
Floor Tile Pattern 3000 STANDARD SQUARE ***STD***



Shower Wall Tile 5420 QT.SP.DGR.0810-Splendour-Dark Grey-8 inch x 10 inch ***STD***

Shower Wall Tile Grout 2226 Grout-(00) White ***STD***

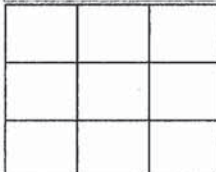
Shower Wall Tile Pattern 3090 VERTICAL STACKED ***STD***



Shower Floor Tile 8661 OD.ON.SWT.0202.MT.N-Ontario Series Mosaic-Snow White Matte-2 x 2 ***STD***

Shower Floor Tile Grout 2226 Grout-(00) White ***STD***

Shower Floor Tile Pattern 3000 STANDARD SQUARE ***STD***



Shower Jamb(s) and Sill(s) 8923 Shower Jamb / Sill-Thassos White ***STD***

Plumbing Fixture (colour) 1737 Plumbing Fixtures-WHITE ***STD***

Comment

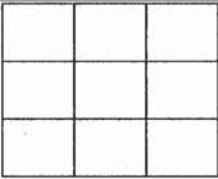
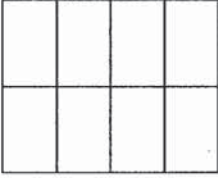
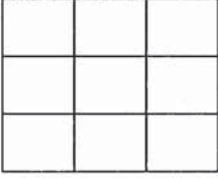
Main Bathroom



Customer Colours

BALJINDER, S BRAR/
 Project: Wallaceon
 Unit: 352, Phase: 3
 Model: 28-2590 B THE BRISTOL

Locked:
 Closed:

Cabinet Colour/Style	9156	Viking III-SIMCOE-RAIN CLOUD-3DL ***STD***
Cabinet Hardware	7667	12881-HARDWARE ***STD***
Countertop	8827	4925K-07-Countertop-CALCUTTA MARBLE-Wilsonart ***STD***
Countertop Edge	1111	N/A *****
Floor Tile	9071	GE.BY.AZR.1313 New Byzantine Azzuro 13 x13 *** STD ***
Floor Tile Grout	2225	Grout-(27) Silver ***STD***
Floor Tile Pattern	3000	STANDARD SQUARE ***STD*** 
Shower Wall Tile	5420	QT.SP.DGR.0810-Splendour-Dark Grey-8 inch x 10 inch ***STD***
Shower Wall Tile Grout	2226	Grout-(00) White ***STD***
Shower Wall Tile Pattern	3090	VERTICAL STACKED ***STD*** 
Shower Floor Tile	8661	OD.ON.SWT.0202.MT.N-Ontario Series Mosaic-Snow White Matte-2 x 2 ***STD***
Shower Floor Tile Grout	2226	Grout-(00) White ***STD***
Shower Floor Tile Pattern	3000	STANDARD SQUARE ***STD*** 
Shower Jamb(s) and Sill(s)	8923	Shower Jamb / Sill-Thassos White ***STD***
Plumbing Fixture (colour)	1737	Plumbing Fixtures-WHITE ***STD***
Comment		

Shared Ensuite

Cabinet Colour/Style	9156	Viking III-SIMCOE-RAIN CLOUD-3DL ***STD***
Cabinet Hardware	7667	12881-HARDWARE ***STD***
Countertop	8827	4925K-07-Countertop-CALCUTTA MARBLE-Wilsonart ***STD***
Countertop Edge	1111	N/A *****
Floor Tile	9071	GE.BY.AZR.1313 New Byzantine Azzuro 13 x13 *** STD ***
Floor Tile Grout	2225	Grout-(27) Silver ***STD***
Floor Tile Pattern	3000	STANDARD SQUARE ***STD***

Customer Colours

BALJINDER, S BRAR/
 Project: Wallaceton
 Unit: 352, Phase: 3
 Model: 28-2590 B THE BRISTOL

Created: 9/3/2021 12:45:11

Locked:

Closed:



Wall Tile QT.SP.DGR.0810-Splendour-Dark Grey-8 inch x 10 inch
 STD

Wall Tile Grout Grout-(00) White ***STD***

Wall Tile Pattern VERTICAL STACKED ***STD***

Opt. Shower Floor Tile N/A *****

Opt. Shower Floor Tile Grout N/A *****

Opt. Shower Floor Tile Pattern N/A *****

Opt. Shower Jamb(s) and Sill(s) N/A *****

Plumbing Fixture (colour) Plumbing Fixtures-WHITE ***STD***

Comment

Lower Level Recreation Room (Opt. Finish)

Flooring N/A *****

Comment

Lower Level Bathroom (Opt. Finished Bas)

Cabinet Colour/Style N/A *****

Cabinet Hardware N/A *****

Countertop N/A *****

Countertop Edge N/A *****

Floor Tile N/A *****

Floor Tile Grout N/A *****

Floor Tile Pattern N/A *****



Customer Colours

BALJINDER, S BRAR/
 Project: Wallaceton
 Unit: 352, Phase: 3
 Model: 28-2590 B THE BRISTOL

Locked:
 Closed:

Shower Wall Tile	1111	N/A *****
Shower Wall Tile Grout	1111	N/A *****
Shower Wall Tile Pattern	1111	N/A *****
Shower Floor Tile	1111	N/A *****
Shower Floor Tile Grout	1111	N/A *****
Shower Floor Tile Pattern	1111	N/A *****
Shower Jamb(s) and Sill(s)	1111	N/A *****
Plumbing Fixture (colour)	1111	N/A *****
Comment		

Main Stairs

Type	1714	Oak Stairs ***STD MAIN STAIRS***
Colour	7912	Irongate (Gryphon) STAIN TO COMPLIMENT HARDWOOD AND WILL VARY FROM FLOORING
Handrail/Pickets/Posts Type	8148	Single Collar Alt. Plain w/ Shoes with 3 1/2" Square/Cap Post(s)-BLACK ***2***
Handrail/Pickets/Posts Colour	7912	Irongate (Gryphon) STAIN TO COMPLIMENT HARDWOOD AND WILL VARY FROM FLOORING
Custom Stain/Paint	1111	N/A *****
Landing(s)	7498	Red Oak Pearl-Vintage Engineered-GRYPHON/IRONGATE-3/4 inch x 3 1/4 inch
Opt. Carpet Runner	1111	N/A *****
Comment		

Lower Level Stairs

Type	1713	Paint Grade Stairs ***STD UNFINISHED BASEMENT STAIRS***
Colour	1111	N/A *****
Handrail/Pickets/Posts Type	1111	N/A *****
Handrail/Pickets/Posts Colour	1111	N/A *****
Custom Stain/Paint	1111	N/A *****
Landing(s)	1111	N/A *****
Opt. Carpet Runner	1111	N/A *****

Customer Colours

BALJINDER, S BRAR/
Project: Wallaceton
Unit: 352, Phase: 3
Model: 28-2590 B THE BRISTOL

Created: 9/8/2022 12:45:11

Locked:

Closed:

Comment

[Empty comment box]

Throughout

Switches and Plug	5796	Decora White Switches and Plugs ***STD***
Thresholds	2232	Metal Thresholds ***STD***
Underpad	1079	500 Series-Underpad ***STD***
Trim Size	8705	4 1/4 Baseboard and 2 3/4 Casings ***STD***
Trim - Paint Colour	1716	Trim-WHITE ***STD***
Walls - Paint Colour	1717	22-Wall-WARM GREY ***STD***

Comment

[Empty comment box]

Purchaser: Signature on Sept 8/22 BRENDA LUKER Sept 8/22
 BALJINDER, S BRAR Date Decor Consultant Date
file

Purchaser: _____ mf Rosen -09- 29 2022
 Date Wallaceton Date Approved



CONSTRUCTION SUMMARY

Lot: 352
Model: 28-2590 B THE BRISTOL
Project/Phase: Wallaceton / 3

Offer Worksheet	Five Appliances: SS Fridge, Stove, Chimney Hood Fan, Dishwasher: White Front Loader Washer/Dryer (Singles) Note:
-----------------	---

Offer Worksheet	The Purchaser(s) acknowledge that they have NOT been referred by an existing Heathwood Homeowner and therefor are not entitled to a referral fee under Heathwood Homes Referral program. Note:
-----------------	---



CONSTRUCTION SUMMARY

Lot: 352
Model: 28-2590 B THE BRISTOL
Project/Phase: Wallaceton / 3

APPLIANCES

Invoice	Qty.	Description
1145 313,492 29Sep22	1	KITCHEN - APPLIANCES - WHIRLPOOL OTR SS - YWMH31017HZ IN LIEU OF CHIMNEY HOOD FAN CABINETRY-Notify; ELECTRICAL-delete std range hood; HEATING/AIR CONDITIONING-Duct Size change

CABINETRY

Invoice	Qty.	Description
1145 313,492 29Sep22 **	1	KITCHEN - APPLIANCES - WHIRLPOOL OTR SS - YWMH31017HZ IN LIEU OF CHIMNEY HOOD FAN CABINETRY-Notify; ELECTRICAL-delete std range hood; HEATING/AIR CONDITIONING-Duct Size change
1145 313,552 29Sep22	1	KITCHEN - G02-Upgrade hardware for kitchen in a SINGLE or DETACHED model (stacked upper hardware is an additional charge see line G04 if applicable) Viking
1145 313,796 29Sep22	1	KITCHEN - B10-Pots and pans drawers (width min. 60cm/max. 90cm) (size subject to floor plan) Viking INSTALL BESIDE STOVE - SEE SKETCH # 2 and 3
1145 313,632 29Sep22	1	KITCHEN - A06-Prep for over-the-range/space-saver microwave Viking

CERAMICS

Invoice	Qty.	Description
1145 344,105 29Sep22	1	- CERAMICS - OPT. KIT. BACKSPLASH - UPG 2

DRYWALL

Invoice	Qty.	Description
1145 345,674 29Sep22	1	MAIN FLOOR - DRYWALL - SMOOTH CEILING IN MAIN FLOOR - UPG PAINTING-Notify

ELECTRICAL

Invoice	Qty.	Description
1145 313,492 29Sep22 **	1	KITCHEN - APPLIANCES - WHIRLPOOL OTR SS - YWMH31017HZ IN LIEU OF CHIMNEY HOOD FAN CABINETRY-Notify; ELECTRICAL-delete std range hood; HEATING/AIR CONDITIONING-Duct Size change
1145 314,242 29Sep22	1	KITCHEN - ELECTRICAL - RELOCATION OF SWITCHES/LIGHTS (MUST SPECIFY LOCATION) - NOTE: PLUGS CANNOT BE RELOCATED- MUST PURCHASE ADDITIONAL OUTLET. RELOCATE KITCHEN STD LIGHT TO CENTRED OVER ISLAND SKETCH # 2
1145 314,232 29Sep22	1	GREAT ROOM - ELECTRICAL - EXTRA WALL INTERIOR OUTLET ON EXISTING CIRCUIT (DOES NOT INCLUDE KITCHEN OUTLETS) INSTALL ABOVE FIREPLACE APPROX 70" +/- FROM FLOOR SKETCH # 2



CONSTRUCTION SUMMARY

Lot: 352
 Model: 28-2590 B THE BRISTOL
 Project/Phase: Wallaceton / 3

HEATING / AIR CONDITIONING

Invoice	Qty.	Description
1145 313,492 29Sep22 **	1	KITCHEN - APPLIANCES - WHIRLPOOL OTR SS - YWMH31017HZ IN LIEU OF CHIMNEY HOOD FAN CABINetry-Notify; ELECTRICAL-delete std range hood; HEATING/AIR CONDITIONING-Duct Size change

INTERIOR RAILINGS

Invoice	Qty.	Description
1145 345,719 29Sep22	1	- Interior Railings - BLACK METAL - SINGLE COLLAR ALT. PLAIN W/ SHOES WITH 3 1/2" SQUARE/CAP POST(S) AS PER PLAN - MAIN AND 2ND FLOOR - UPG PAINTING-Notify

PAINTING

Invoice	Qty.	Description
1145 345,674 29Sep22 **	1	MAIN FLOOR - DRYWALL - SMOOTH CEILING IN MAIN FLOOR - UPG PAINTING-Notify
1145 345,719 29Sep22 **	1	- Interior Railings - BLACK METAL - SINGLE COLLAR ALT. PLAIN W/ SHOES WITH 3 1/2" SQUARE/CAP POST(S) AS PER PLAN - MAIN AND 2ND FLOOR - UPG PAINTING-Notify

THE BRISTOL

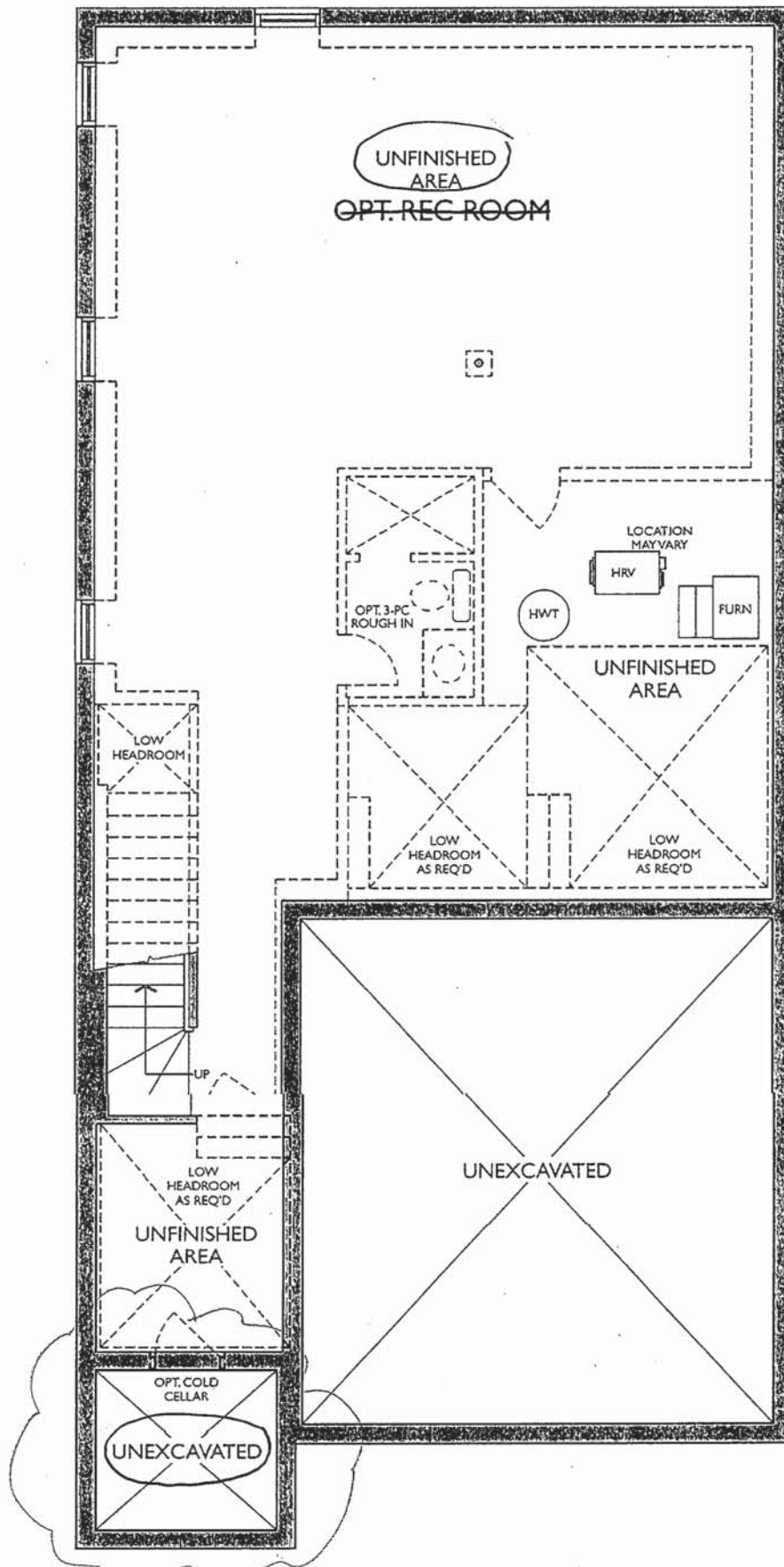
ELEVATION A & B | 2,590 SQ. FT.

706 sq. ft. of opt. finished Lower Level

WALLACETON
EST. 1870

Sketch #1

28-2590 ELEV. B



LOWER LEVEL
ELEVATION B & C

THE BRISTOL

ELEVATION A & B | 2,590 SQ. FT.

706 sq. ft. of opt. finished Lower Level

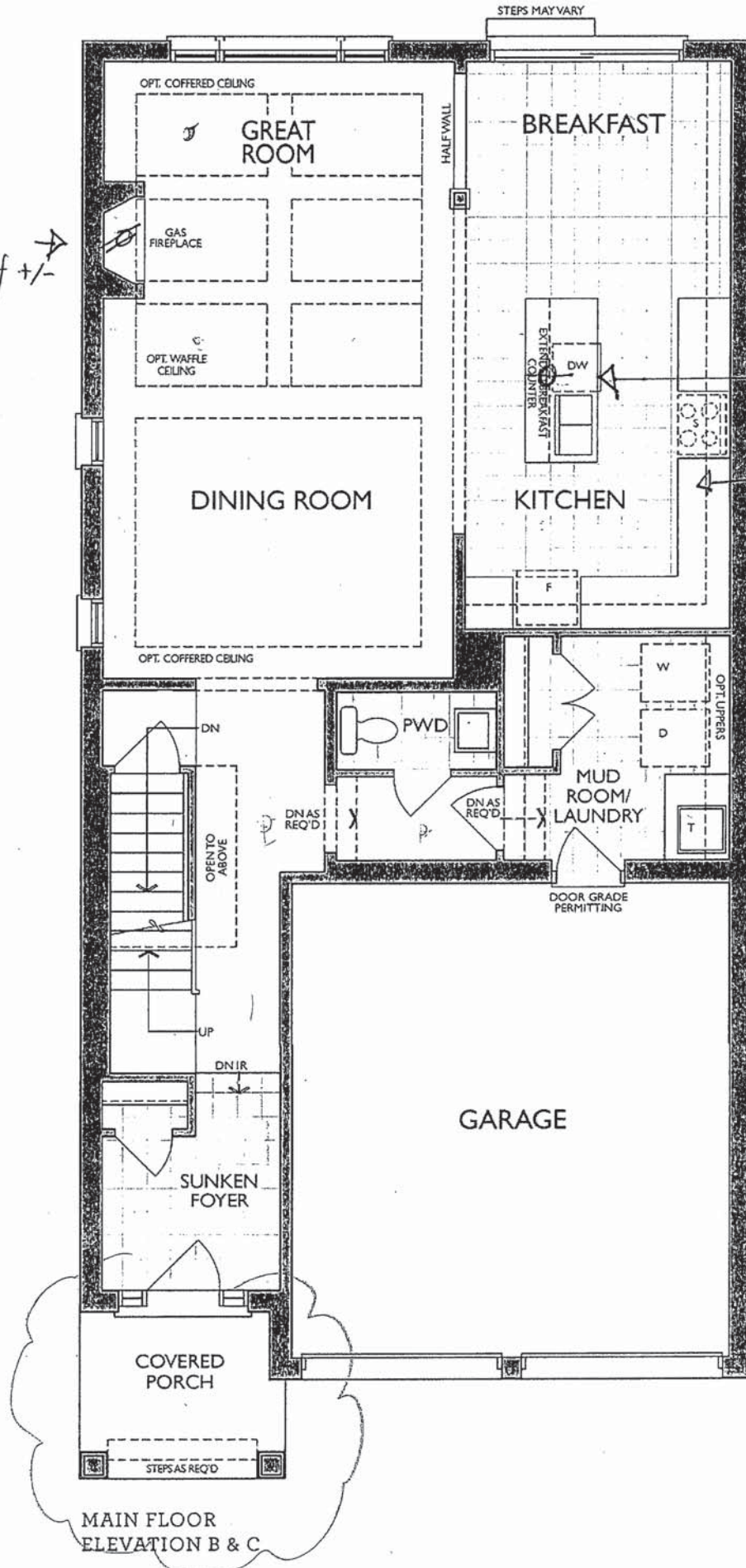
WALLACETON

EST. 1870

Sketch # 2

28-2590 ELEV. B

Plug
70" ff +/-

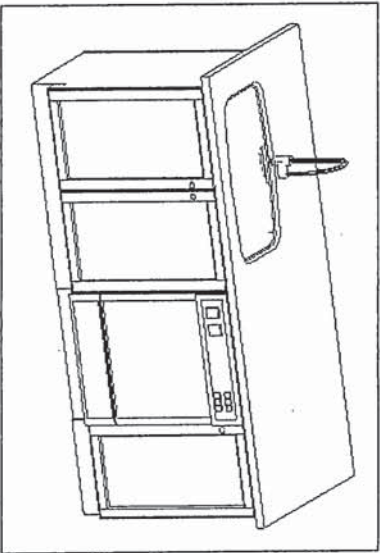
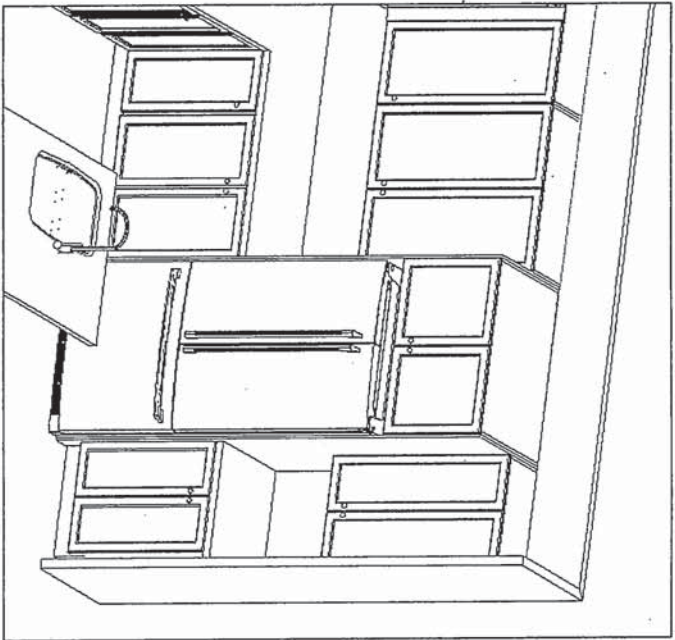
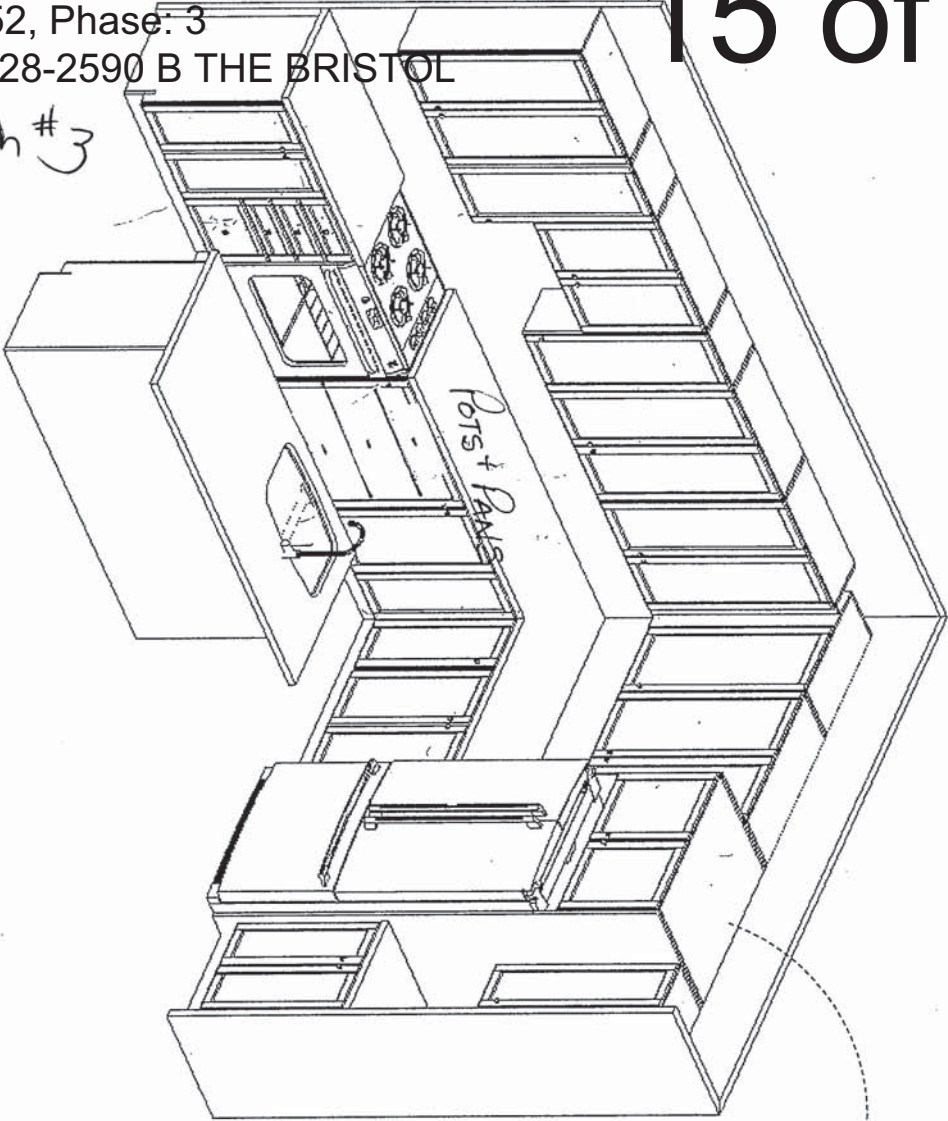


MAIN FLOOR
ELEVATION B & C

Project: Wallaceton
Unit: 352, Phase: 3
Model: 28-2590 B THE BRISTOL

Sketch #3

4/29/2022



FRENDEL
KITCHENS LIMITED
1350 Showson Drive, Mississauga, ON L4W 1C5

HEATHWOOD HOMES
WALLACETON, KITCHENER ON
MODEL: 28-2590 (3403)

STANDARD CONTRACT INCLUDES:

Appliance Openings

- Hood Opening: 30" W Builder hood
- Fridge Opening: 37 3/8 "W X 73 3/8"
- Fridge cabinet & gables: 66cm Deep
- Stove Opening: 30" Freestanding
- Dishwasher Opening: 24"

Standard Kitchens Scope:

- 100cm H wall cabinets
- Std. Blumotion Hinges- **soft close**
- Std. Metabox Drawers- **not soft close**
- Min 40cm W drawer
- Base pie cut corner cabinets
- Backing on all cabinets
- Countertop by others
- Upgrade applied paneled fridge & dishwashers supply only (appliance hardware by others)

Standard Vanity & Laundry Scope:

- Powder by others, pedestal
- Master Ens. - Top by others
- Remaining vanities inc. laminate top
- Std. Blum Hinges- **not soft close**
- Std. Metabox Drawers- **not soft close**
- Master Ens: Top drawers(Sink Full height)
- Mains: Full height doors (top drawers added if Masters can't accommodate)
- Optional laundry base & wall cabinets

THIS DRAWING IS FOR DESIGN PURPOSES ONLY.
IT IS NOT AN EXACT RENDITION.

THE BRISTOL

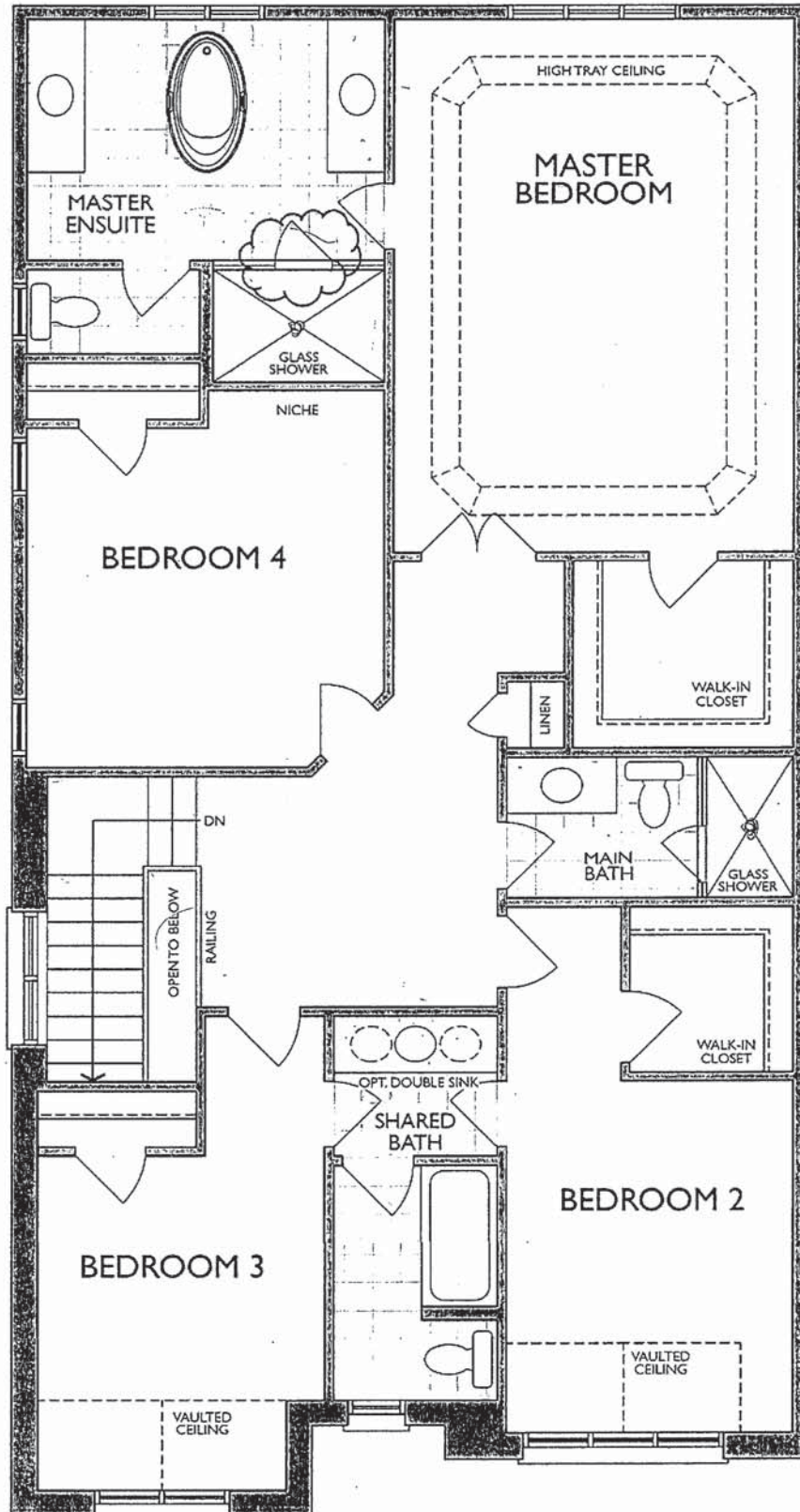
ELEVATION A & B | 2,590 SQ. FT.

706 sq. ft. of opt. finished Lower Level

WALLACETON
EST. 1870

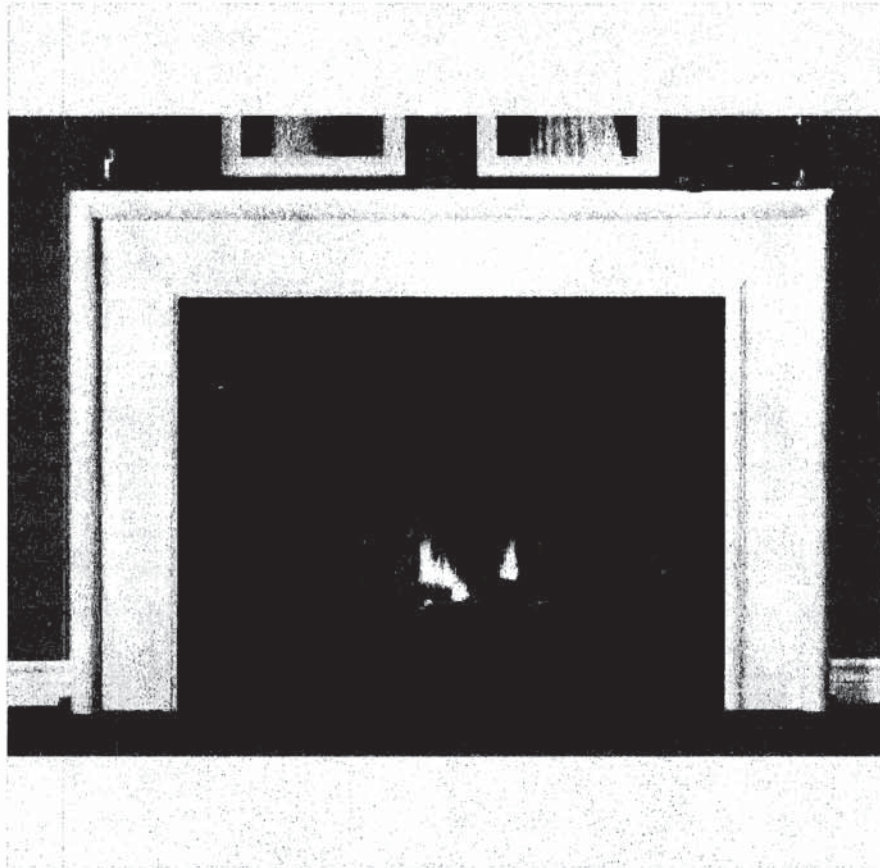
Sketch # 4

28-2590 ELEV. B



SECOND FLOOR
ELEVATION B

* Master Ensuite Shower Door Swing Changed



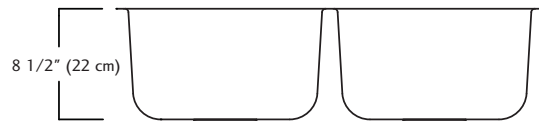
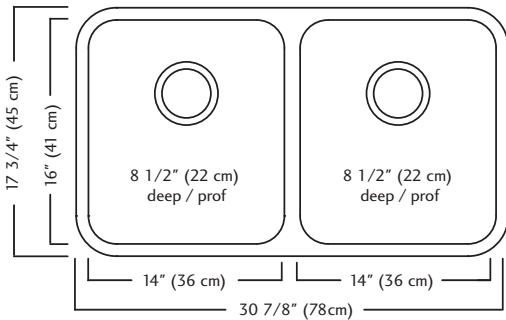
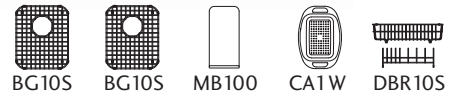
NEAS NF17 Mantel - Cabinet

Reginox

ND1831UA/9



Optional Accessories



ND1831UA/9 SPECIFICATION

Model ND1831UA/9 is a double (two equal size) bowl undermount sink manufactured by Franke Kindred Canada Limited from 18 gauge stainless steel. Product has silk finished rims and linear brush finished bowls. Sink is fully undercoated. Basket strainer waste fittings (3 1/2", 89 mm) are included. Sink is backed with a limited lifetime warranty.

- O.D. 17 3/4" x 30 7/8" x 8 1/2" (45 x 78 x 22 cm)
- **Recommended for minimum 36" cabinet**

Franke Kindred Canada Limited
 P.O. Box 190, 1000 Franke Kindred Road, Midland, Ontario, Canada, L4R 4K9 Phone: 866-687-7465 Fax: 800-361-8408



Specifications

FAUCET DESCRIPTION

- Reflex™ pulldown system offers smooth operation, easy movement and secure docking
- Power Clean™ spray technology
- Metal construction with various finishes identified by suffix
- Quick connect installation
- Pulldown spray with 68" braided hose
- Flexible supply lines with 3/8" compression fittings
- High arc spout provides height and reach to fill or clean large pots while pulldown wand provides the maneuverability for cleaning or rinsing
- 360° rotating spout
- Faucet designed for handle to be mounted on right side only

OPERATION

- Lever style handle
- Temperature controlled by 100° arc of handle travel
- Operates with less than 5 lbs. of force
- Operates in stream or spray mode in the pullout or retracted position


FLOW

- Flow is limited to 1.5 gpm (5.7 L/min) max at 60 psi

CARTRIDGE

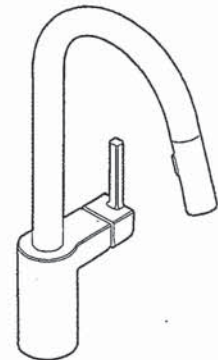
- 1255™ Duralast™ cartridge

STANDARDS

- Third party certified to IAPMO Green, ASME A112.18.1/CSA B125.1 and all applicable requirements therein including NSF 61/9G & 372
- Meets CalGreen and Georgia SB370 requirements
- Complies with California Proposition 65 and with the Federal Safe Drinking Water Act
- The backflow protection system in the device consists of two independently operating check valves, a primary and a secondary which prevent backflow
- ADA  for lever handle

WARRANTY

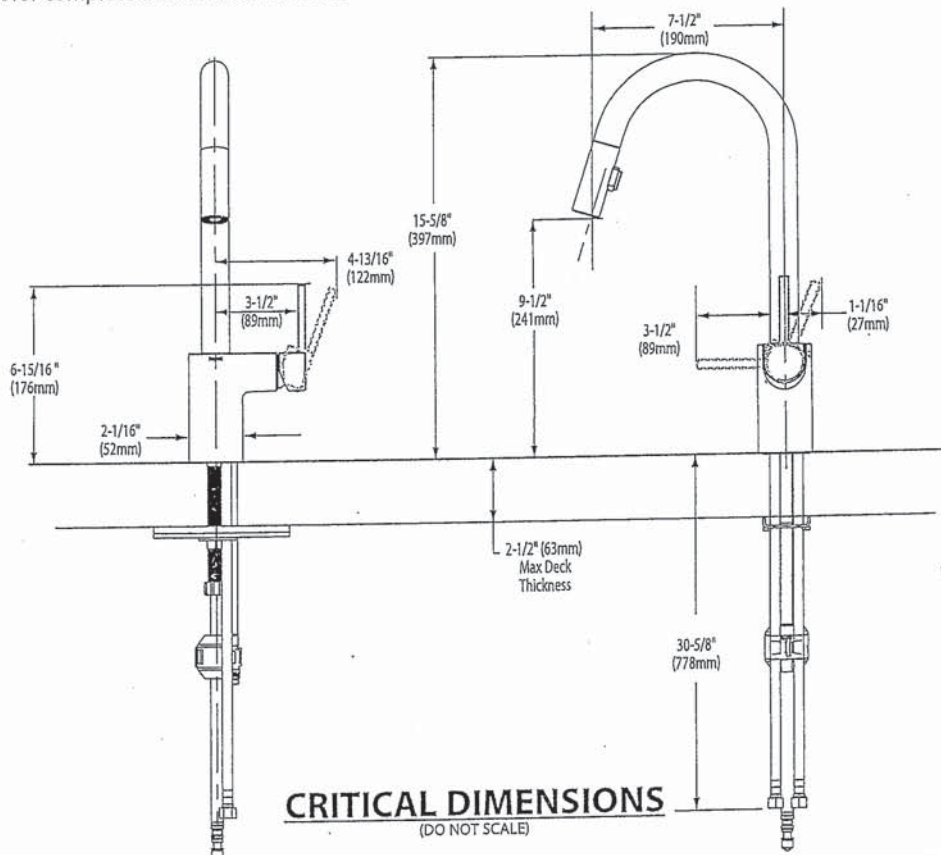
- Lifetime limited warranty against leaks, drips and finish defects to the original homeowner
 - 10 year limited warranty when used in a multifamily installation
 - 5 year limited warranty when used in a commercial installation
- Visit www.moen.com/support for complete details and limitations



ALIGN™
 Single Handle High Arc
 Pulldown Kitchen Faucet

Models: 7565 series

NOTE: THIS FAUCET IS DESIGNED TO BE INSTALLED THROUGH 1 HOLE, 1-1/2" (38mm) MIN. DIA. (OPTIONAL 3-HOLE ESCUTCHEON 141002 AVAILABLE)



FOR MORE INFORMATION CALL: 1-800-BUY-MOEN
www.moen.com



 BARRIER FREE (ABOVE COUNTER OR DROP-IN ONLY)

BOULEVARD®
PEDESTAL SINK
VITREOUS CHINA

BOULEVARD® PEDESTAL SINK

- STD **0641.800** Faucet holes on 8" (203mm) centers (Illustrated)
- 0641.400** Faucet holes on 4" (102mm) centers
- 0641.100** Center hole only
- Classic styled rectangular pedestal lavatory
 - Vitreous china
 - Rear overflow
 - Supplied with mounting kit
 - Right Height® for greater comfort during use
 - Faucet ledge with large deck area (faucet not included)
 - **Design coordinates with Boulevard® Toilet**
 - Basin has flat bottom to also allow use as an **above counter** sink or a **drop-in** sink (with u-shaped cut out)

Nominal Dimensions:

24" x 19" x 35-1/2"
(610 x 483 x 902mm)

- 0641.008** Pedestal top-8" (203mm) centers
- 0641.004** Pedestal top-4" (102mm) centers
- 0641.001** Pedestal top-center hole only
- 0010.000** Pedestal only

Bowl sizes:

17" (432mm) wide,
12-1/2" (318mm) front to back,
5" (127mm) deep

Compliance Certifications -

Meets or Exceeds the Following Specifications:

- ASME A112.19.2 - 2008/CSA B45.1-08



SEE REVERSE FOR ROUGHING-IN DIMENSIONS

To Be Specified:

- Color: White Linen
- Faucet Finish:
- Supplies:
- 1-1/4" Trap:
- Nipple:

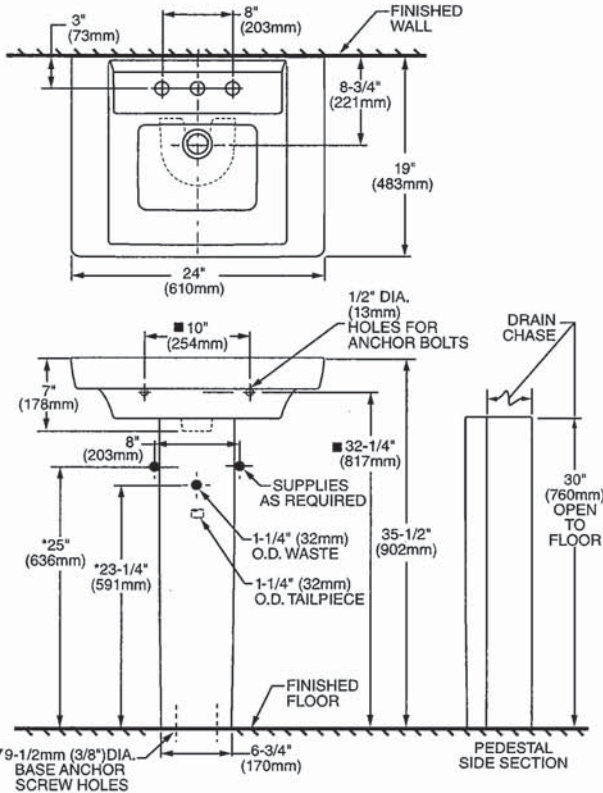
* See faucet section for additional models available



**BOULEVARD®
 PEDESTAL SINK
 VITREOUS CHINA**

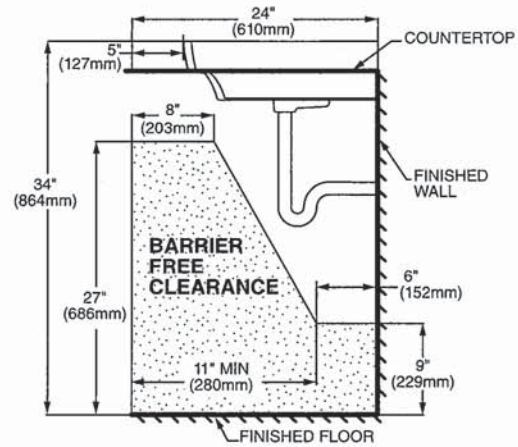
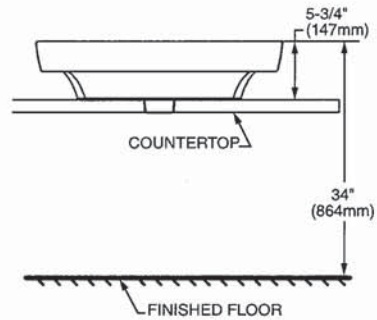
BARRIER FREE (ABOVE COUNTER OR DROP-IN ONLY)

TOP VIEW (ALL THREE CONFIGURATIONS)



**PEDESTAL CONFIGURATION
 (NOT ADA COMPLIANT)**

ABOVE COUNTER CONFIGURATION



DROP-IN SINK CONFIGURATION

**ABOVE COUNTER AND DROP-IN SINK CONFIGURATIONS
 MEET THE AMERICANS WITH DISABILITIES ACT GUIDELINES
 AND ANSI A117.1 ACCESSIBLE AND USABLE
 BUILDINGS AND FACILITIES - CHECK LOCAL CODES.**

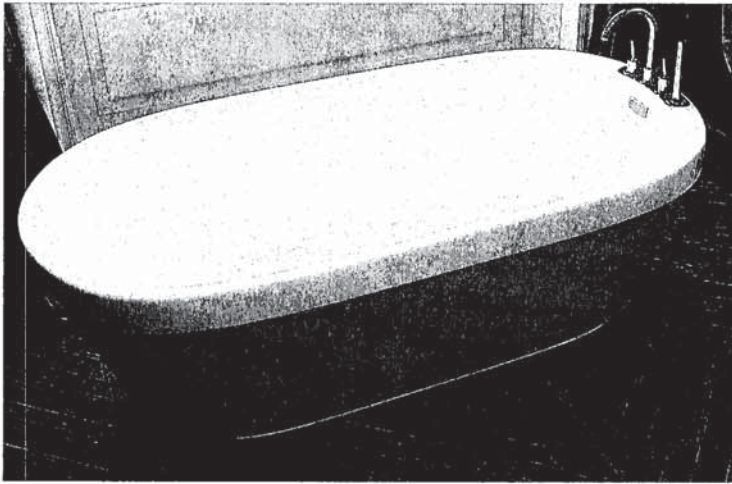
Top of sink installed at 34" (864mm) height from finished floor.
 Sink installed 5" (127mm) minimum from front edge of countertop.
 Provide 27" (686mm) knee clearance area.

NOTES:
 * DIMENSIONS SHOWN FOR LOCATION OF SUPPLIES AND "P" TRAPS ARE SUGGESTED.
 ▼ PEDESTAL ANCHORING SCREWS NOT INCLUDED.
 ■ SUITABLE FOR REINFORCEMENT ONLY. ACTUAL DIMENSIONS MUST BE TAKEN FROM FIXTURE.
 FITTING NOT INCLUDED AND MUST BE ORDERED SEPARATELY.
 PROVIDE SUITABLE REINFORCEMENT FOR ALL WALL SUPPORTS.
 INSTALLATION INSTRUCTIONS SUPPLIED WITH LAVATORY.

IMPORTANT: Dimensions of fixtures are nominal and may vary within the range of tolerance established by ANSI Standard A112.19.2. These measurements are subject to change or cancellation. No responsibility is assumed for use of superseded or voided pages.



DEMI™ Product Specification Sheet



Two Piece Freestanding Collection

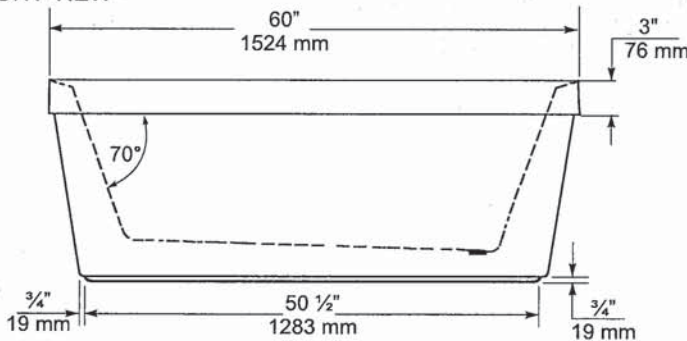
CF2007	Two Piece Freestanding Soaker
Size:	60" x 32" x 22" 1524 mm x 813 mm x 559 mm

PRODUCT FEATURES & BENEFITS

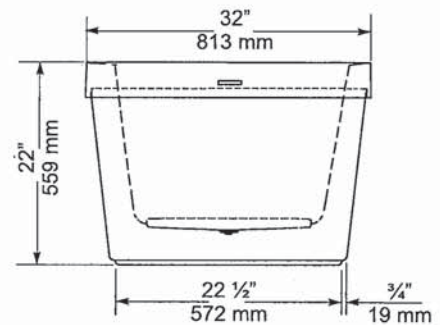
- Vacuum formed acrylic reinforced with fiberglass
- Scratch, stain and fade resistant high gloss finish
- Installation friendly two piece design
- Accepts deck mounted faucet
- Includes integral pop up drain and rectangular overflow
- Includes levelling feet

TWO PIECE ASSEMBLY

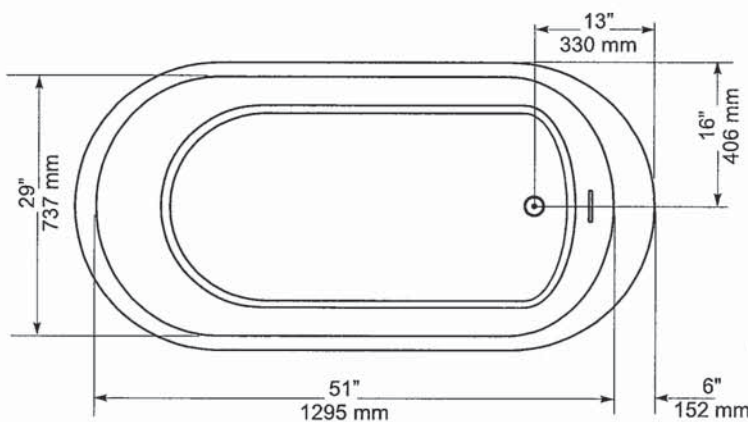
FRONT VIEW



END VIEW



TOP VIEW



GENERAL SPECIFICATIONS

Average Weight	90 lb	41 kg
Bathing Well at bottom	43"x 20"	1092 x 508 mm
Capacity Drain to Overflow		195 litres
Water Depth Drain to Overflow	16"	406 mm
Drain Opening (dia.)	2"	51 mm
Overflow Opening	2 1/4"x 1/2"	57 x 13 mm
Drain to Floor Clearance	3 1/4"	83 mm

NOTES: Please confirm measurements on actual product to ensure proper identification. Bathtub to be installed on the floor supported by 5 self levelling feet. Adjust if required to level the bathtub for adequate drainage. Refer to installation instructions for additional information.

IMPORTANT: Dimensions of fixtures are nominal and may vary $\pm 1/4"$ (6 mm). Weight may vary ± 5 lb (2.3 kg). Drawing is not to scale. These measurements are subject to change at manufacturer's discretion.

Compliance Certifications -

Meets or Exceeds the following Specifications:

- CAN/CSA - B45 Series



American Standard
 Style That Works Better

FloWise™ DUAL FLUSH ELONGATED TOILET

VITREOUS CHINA

FloWise™ DUAL FLUSH ELONGATED TOILET

2476 216

- Vitreous china
- Low-consumption Dual Flush
 Full flush 6.0 Lpf/1.3 gpf,
 Partial flush 3.0 Lpf/0.66 gpf.
- Elongated wash down bowl
- Internal trapway fully-glazed,
 2-1/4" (57mm) ballpass
- Concealed trapway bowl
- Chrome-plated top mounted
 push button actuator
- Easy to clean sanitary dam on bowl
- Includes Elongated Slow Close Seat
- 100% factory flush tested
- 2 bolt caps

Separate Component Parts:

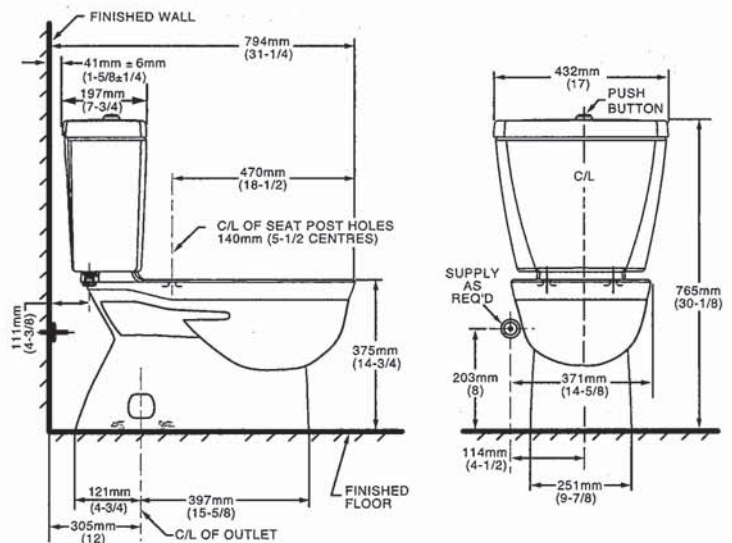
- 3067 316 Elongated Bowl with Slow Close Seat
- 4035 216 Unlined Tank



2476 516 Same as above with Lined tank

- 3067 316 Elongated Bowl
- 4035 516 Lined Tank

Nominal Dimensions:
 794 x 432 x 765mm
 (31-1/4" x 17" x 30-1/8")



Compliance Certifications - Meets or Exceeds the Following Specifications:

- ASME A112.19.2M (and 19.6M)
- CAN/CSA B45 series

To Be Specified

- Colour: 020 White
- Supply with stop:

NOTES:

THIS TOILET IS DESIGNED TO ROUGH-IN AT A MINIMUM DIMENSION OF 305MM (12") FROM FINISHED WALL TO C/L OF OUTLET.
 SUPPLY NOT INCLUDED WITH FIXTURE AND MUST BE ORDERED SEPARATELY.
 * DIMENSION SHOWN FOR LOCATION OF SUPPLY IS SUGGESTED.
 FOR ADDITIONAL INFORMATION REFER TO INSTALLATION INSTRUCTIONS SUPPLIED.
 IMPORTANT: Dimensions of fixtures are nominal and may vary within the range of tolerance established by ANSI Standard A112.19.2
 These measurements are subject to change or cancellation. No responsibility is assumed for use of superseded or voided pages.

UPGRADED VALUE ADDED FEATURES AT NO EXTRA CHARGE



Specifications

DESCRIPTION

- Metal construction with various finishes identified by suffix
- 16" long 3/8" tubing connections
- Includes metal or 50/50 pop-up type waste assembly where noted

OPERATION

- Pivot action lever style handle
- Temperature controlled through 180° degree arc of handle travel

FLOW

- Flow is limited to 1.5 gpm max (5.7L/min) at 60 psi

CARTRIDGE

- 1225 cartridge design
- Nonmetallic/nonferrous and stainless steel material
- Can accommodate reversed piping and back to back installations

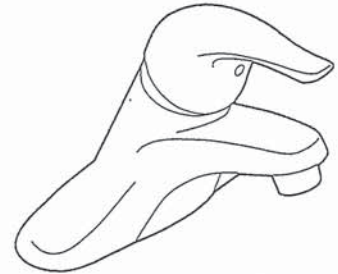
STANDARDS

- Third party certified to WaterSense®, CSA B-125.1, ASME A112.18.1 and all applicable requirements referenced therein including NSF61/9
- Complies with California Proposition 65 and with the Federal Safe Drinking Water Act

- ADA  for lever handle

WARRANTY

- Lifetime limited warranty against leaks, drips and finish defects to the original consumer purchaser
- 5 year warranty if used in commercial installations



CHATEAU® Single-Handle Lavatory Faucet

with Metal Waste Assembly

Model: L4625 series

L4631BC

Bulk Packed (12 per carton):

L64624 series

with 50/50 Waste Assembly

Bulk Packed (12 per carton):

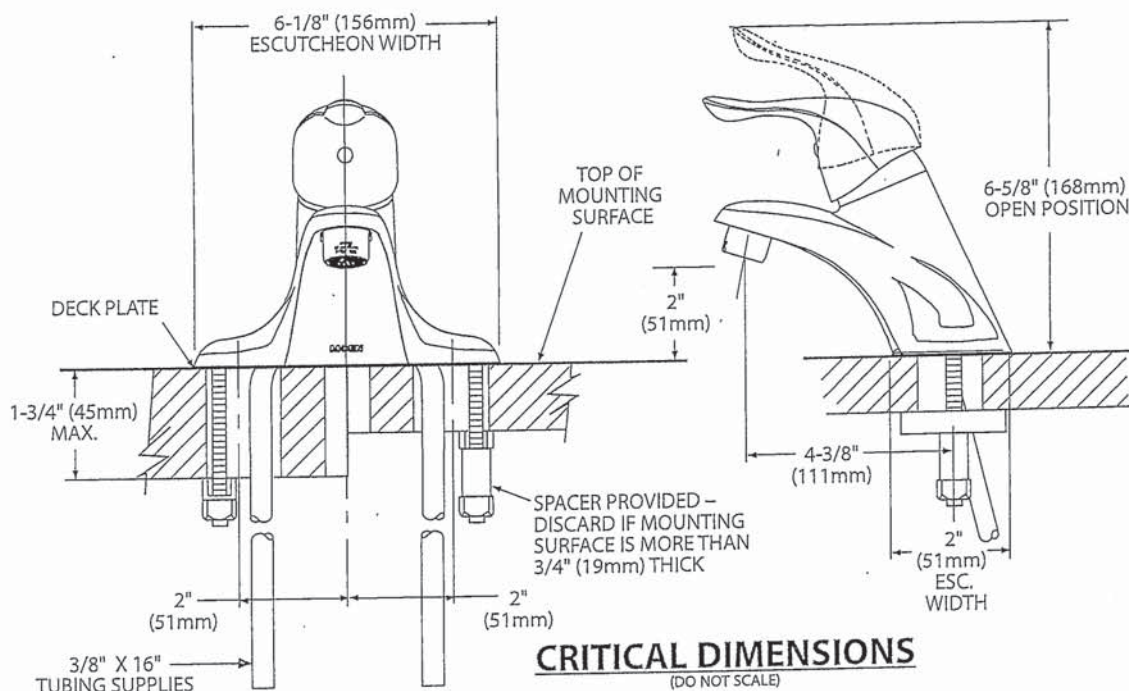
L64625 series

Less Waste

Bulk Packed (12 per carton):

L64600 series

NOTE: THIS FAUCET IS DESIGNED TO BE INSTALLED THRU 3-1" DIA. HOLES, 2" ON CENTER



FOR MORE INFORMATION CALL: 1-800-BUY-MOEN
www.moen.com



Buy it for looks. Buy it for life.®

There is more than 1 version of this model.
 Page down to identify the version you have.

DESCRIPTION

- Metal construction with various finishes identified by suffix
- Includes non-metallic showerhead, arm, flange and non-metallic diverter tub spout

OPERATION

- Handle operates counterclockwise through a 270° arc with off at 6 o'clock and maximum hot at the 9 o'clock position. Shut off in clockwise direction
- Adjustable temperature limit stop to control maximum hot water temperature
- Pressure balancing mechanism maintains selected discharge temperature to ± 3°

FLOW

- Showerhead is limited to 2.5 gpm (9.5 L/min) at 80 psi
- EP suffix models are limited to 1.75 gpm (6.6 L/min) at 80 psi
- NH suffix models contain no showerhead

CARTRIDGE

- 1222 cartridge design
- Accommodates back to back installations
- Nonmetallic/nonferrous and stainless steel material

STANDARDS

- Third party certified to meet ASME A112.18.1/CSA B125.1 and all applicable requirements referenced therein
- EP suffix models are third party certified to WaterSense®
- ADA ♿ for lever handle

WARRANTY

- Lifetime limited warranty against leaks, drips and finish defects to the original consumer purchaser
- 5 year warranty if used in commercial installations

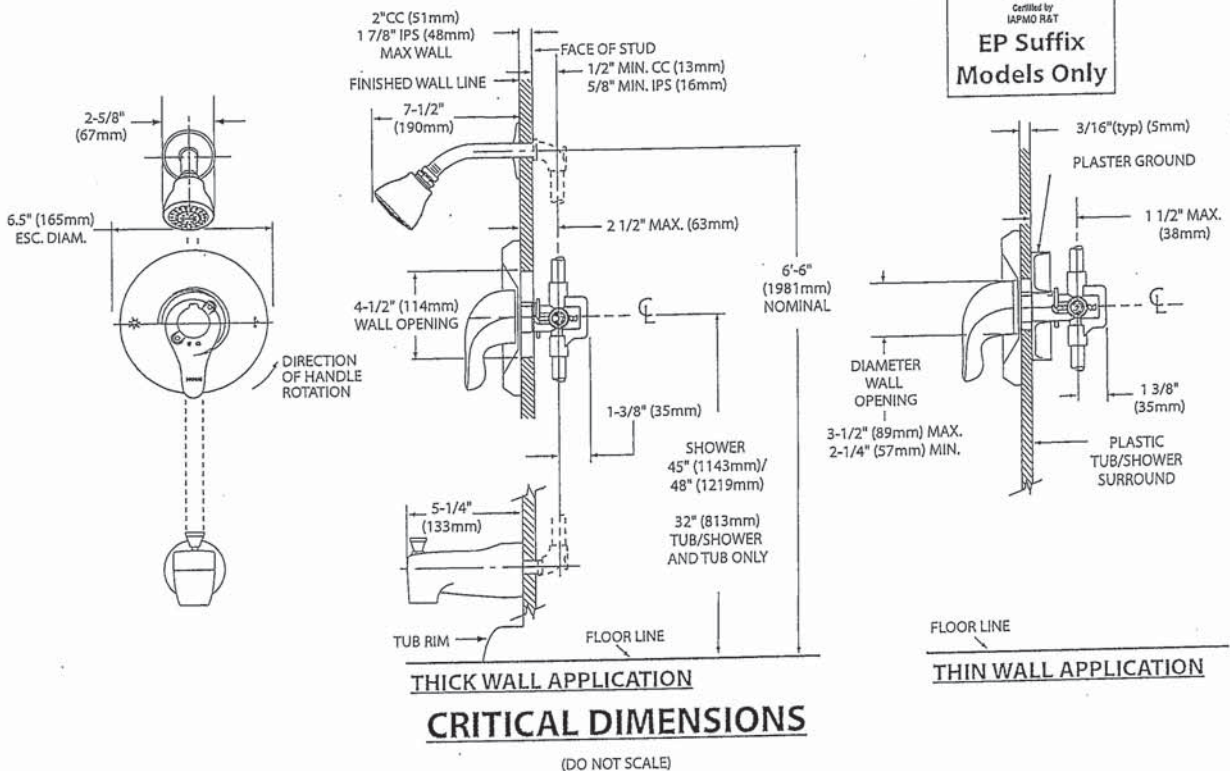
Specifications



**CHATEAU® POSI-TEMP®
 Single-Handle Tub/Shower Trim Kit**

- Models:** TL181 series - valve trim only
 (Bulk Packed 12 per carton)
 TL182 series - shower trim only
 (Bulk Packed 12 per carton)
 TL183 series - tub/shower trim
 (Bulk Packed 12 per carton)

- Valves:** 62300 series
 2500 series



FOR MORE INFORMATION CALL: 1-800-BUY-MOEN

www.moen.com



Specifications


DESCRIPTION

- Metal construction with various finishes identified by suffix

OPERATION

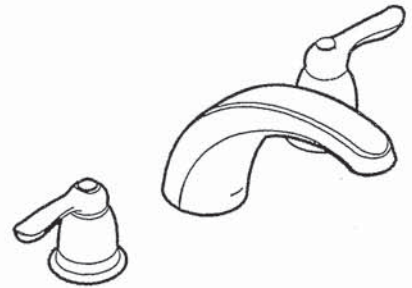
- Lever style handles with hot and cold color indicator
- Rotate hot side handle counterclockwise to open (clockwise to close) and the cold side handle (clockwise to open) and (counterclockwise to close)

STANDARDS

- Third party certified to: ASME A112.18.1/CSA B-125.1, and all applicable requirements referenced therein
- ADA  for lever handles

WARRANTY

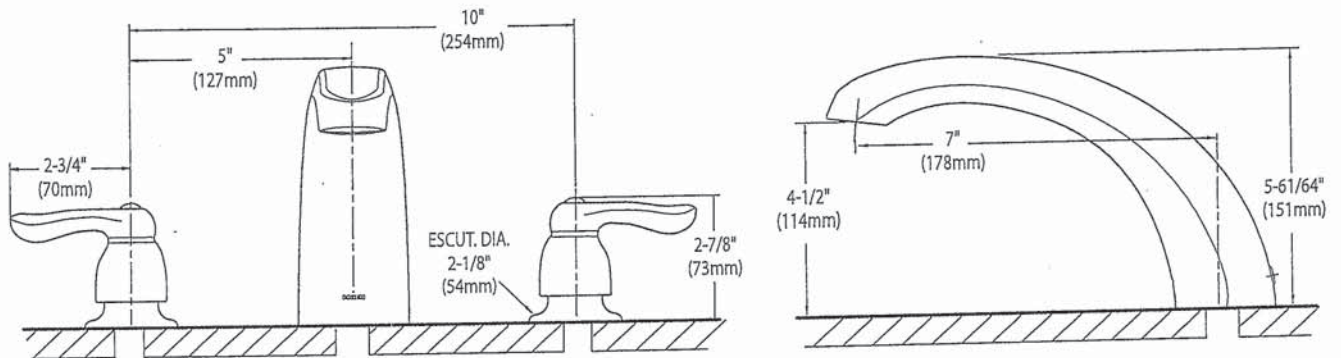
- Lifetime limited warranty against leaks, drips and finish defects to the original homeowner
 - 10 year limited warranty when used in a multi-family installation
 - 5 year limited warranty when used in a commercial installation
- Visit www.moen.com/support for complete details and limitations



CHATEAU®
Two-Handle Garden Tub Trim

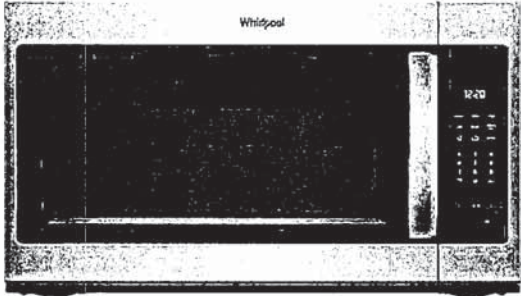
Models: T994 series

Valves: 4792, 4793, 4794, 4796, 4797, 4798



CRITICAL DIMENSIONS

(DO NOT SCALE)



Clean up spills on the turntable by simply putting it in the dishwasher.



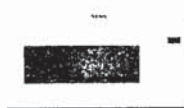
Match the right amount of ventilation to the dish being prepared and quickly get rid of cooking odors with two different fan speed settings.



Get just the right amount of heat and time, whether you're cooking or defrosting, with specific preset options.

OTHER FEATURES

- Add 30 seconds option
- Electronic touch controls
- Adjustable cooktop lighting



White (W)



Black (B)



Fingerprint Resistant Stainless Steel (Z)



Silver (S)

	White (W)	Black (B)	Fingerprint Resistant Stainless Steel (Z)	Silver (S)
Max height (in)	17-1/8"	17-1/8"	17-1/8"	17-1/8"
Width (in)	29-15/16"	29-15/16"	29-15/16"	29-15/16"
Depth (in)	15-9/16"	15-9/16"	15-9/16"	15-9/16"

Whirlpool®



VENTING DESIGN SPECIFICATIONS

This section is intended for architectural designer and builder/contractor reference only.

NOTES:

- Vent materials needed for installation are not provided with microwave hood combination.
- We do not recommend using a flexible metal vent.
- To avoid possible product damage, be sure to vent air outside, unless using recirculation installation. Do not vent exhaust air into concealed spaces, such as spaces within walls or ceilings, attics, crawl spaces, or garages.

For optimal venting installation, we recommend:

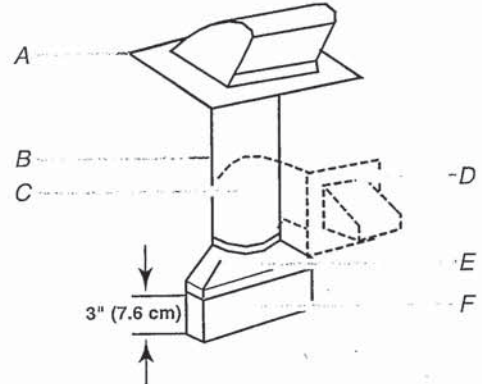
- Using roof or wall caps that have backdraft dampers
- Using a rigid metal vent
- Using the most direct route by minimizing the length of the vent and number of elbows to provide efficient performance
- Using uniformly sized vents
- Using duct tape to seal all joints in the vent system
- Using caulking compound to seal exterior wall or roof opening around cap
- Not installing 2 elbows together for optimal hood performance

If venting through the wall, be sure that there is proper clearance within the wall for the damper to open fully.

If venting through the roof, and rectangular-to-round transition is used, be sure there are at least 3" (7.6 cm) of clearance between the top of the microwave oven and the transition piece. See "Rectangular-to-Round Transition" illustration.

Rectangular-to-Round Transition

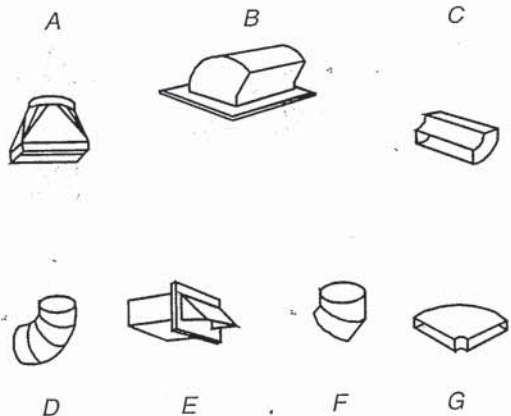
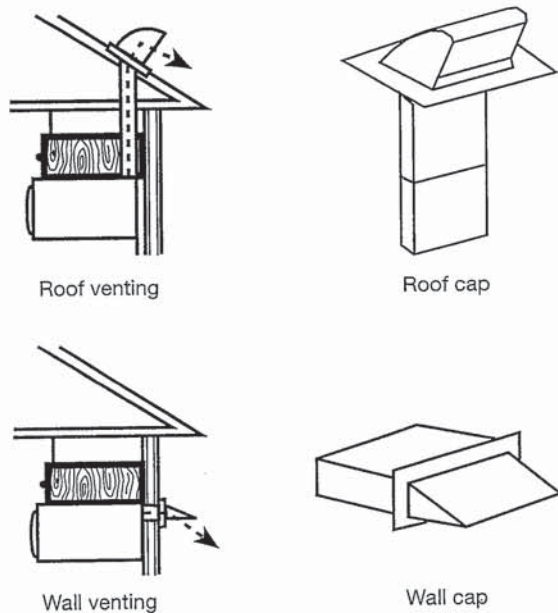
NOTE: The minimum 3" (7.6 cm) clearance must exist between the top of the microwave oven and the rectangular to round transition piece so that the damper can open freely and fully.



- A. Roof cap
- B. 6" (15.2 cm) min. diameter round vent
- C. Elbow (for wall venting only)
- D. Wall cap
- E. 3 1/4" x 10" to 6" (8.3 x 25.4 cm to 15.2 cm) rectangular to round transition piece
- F. Vent extension piece, at least 3" (7.6 cm) high

Recommended Standard Fittings

The following length equivalents are for use when figuring vent length. See the examples in "Recommended Vent Length".



- A. Rectangular-to-round transition piece: 3 1/4" x 10" to 6" = 5 ft (8.3 x 25.4 cm to 15.2 cm = 1.5 m)
- B. Roof cap: 3 1/4" x 10" = 24 ft (8.3 x 25.4 cm = 7.3 m)
- C. 90° elbow: 3 1/4" x 10" = 25 ft (8.3 x 25.4 cm = 7.6 m)
- D. 90° elbow: 6" = 10 ft (15.2 cm = 3 m)
- E. Wall cap: 3 1/4" x 10" = 40 ft (8.3 x 25.4 cm = 12.2 m)
- F. 45° elbow: 6" = 5 ft (15.2 cm = 1.5 m)
- G. 90° flat elbow: 3 1/4" x 10" = 10 ft (8.3 x 25.4 cm = 3 m)

Recommended Vent Length

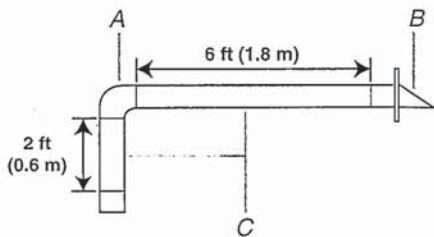
A 3¼" x 10" (8.3 x 25.4 cm) rectangular or 6" (15.2 cm) round vent should be used.

The total length of the vent system including straight vent, elbow(s), transitions, and wall or roof caps must not exceed the equivalent of 140 ft (42.7 m) for either type of vent. See the "Recommended Standard Fittings" section for equivalent lengths.

For best performance, use no more than three 90° elbows.

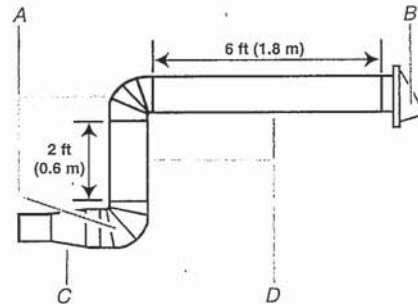
To calculate the length of the system you need, add the equivalent lengths of each vent piece used in the system. See the following examples:

3¼" x 10" (8.3 x 25.4 cm) vent system = 73 ft (22.2 m) total



- A. One 3¼" x 10" (8.3 x 25.4 cm) 90° elbow = 25 ft (7.6 m)
- B. 1 wall cap = 40 ft (12.2 m)
- C. 2 ft (0.6 m) + 6 ft (1.8 m) straight = 8 ft (2.4 m)

6" (15.2 cm) vent system = 73 ft (22.2 m) total



- A. Two 90° elbows = 20 ft (6.1 m)
- B. 1 wall cap = 40 ft (12.2 m)
- C. 1 rectangular-to-round transition piece = 5 ft (1.5 m)
- D. 2 ft (0.6 m) + 6 ft (1.8 m) straight = 8 ft (2.4 m)

If the existing vent is round, a rectangular-to-round transition piece must be used. In addition, a rectangular 3" (7.6 cm) extension vent between the damper assembly and rectangular-to-round transition piece must be installed to keep the damper from sticking.

0



Front Control Electric Ranges

PRODUCT MODEL NUMBERS

WEC310S0L WEE515S0L WEE515SAL YWEE515S0L

ELECTRICAL CONNECTION

To properly install your range, you must determine the type of electrical connection you will be using and follow the instructions provided for it here.

- Range must be connected to the proper electrical voltage and frequency as specified on the model/serial/rating plate. The model/serial/rating plate is located behind the oven door on the top right-hand side of the oven frame.
- This range is manufactured with the neutral terminal connected to the cabinet. Use a 3-wire, UL listed, 40- or 50-amp power supply cord (pigtail). See the following Range Rating chart. If local codes do not permit ground through the neutral, use a 4-wire power supply cord rated at 250 volts, 40- or 50-amps and investigated for use with ranges.

Range Rating*	Specified Rating of Power Supply Cord Kit and Circuit Protection	
120/240 Volts	120/208 Volts	Amps
8.8 - 16.5 KW	7.8 - 12.5 KW	40 or 50**
16.6 - 22.5 KW	12.6 - 18.5 KW	50

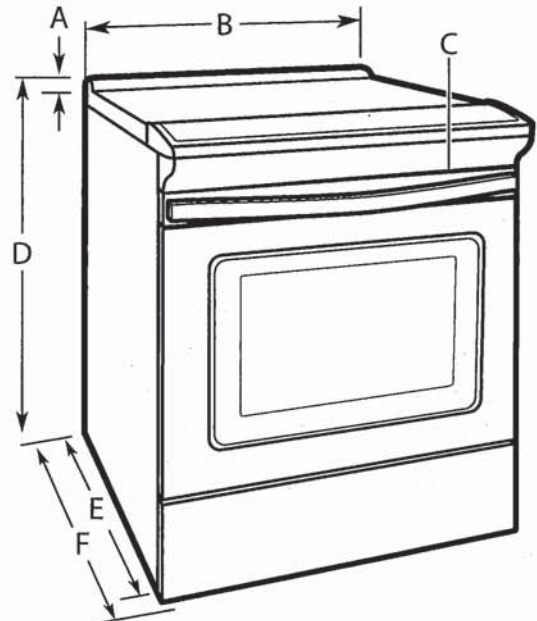
* The NEC calculated load is less than the total connected load listed on the model/serial/rating plate.

** If connecting to a 50-amp circuit, use a 50-amp rated cord with kit. For 50-amp rated cord kits, use kits that specify use with a nominal 1^{3/8}" (3.5 cm) diameter connection opening.

- A circuit breaker is recommended.

PRODUCT DIMENSIONS

This manual covers several models. Your model may appear different from the models depicted. Dimensions given are maximum dimensions across all models.



- A. 1^{3/16}" (3.0 cm) height from cooktop to top of vent
- B. 29^{7/8}" (75.9 cm)
- C. Model/serial/rating plate (located behind the oven door on the top right-hand side of the oven frame)
- D. WEE515SAL: 34" (86.4 cm) height to top of cooktop edge with leveling legs screwed all the way in*
Other models: 36" (91.4 cm) height to top of cooktop edge with leveling legs screwed all the way in*
- E. 28^{25/64}" (72.1 cm) max. depth from front of console to back of range
- F. 29^{1/64}" (73.7 cm) max. depth from handle to back of range

IMPORTANT: Range must be level after installation. Follow the instructions in the "Level Range" section of the Owner's Manual. Using the cooktop as a reference for leveling the range is not recommended.

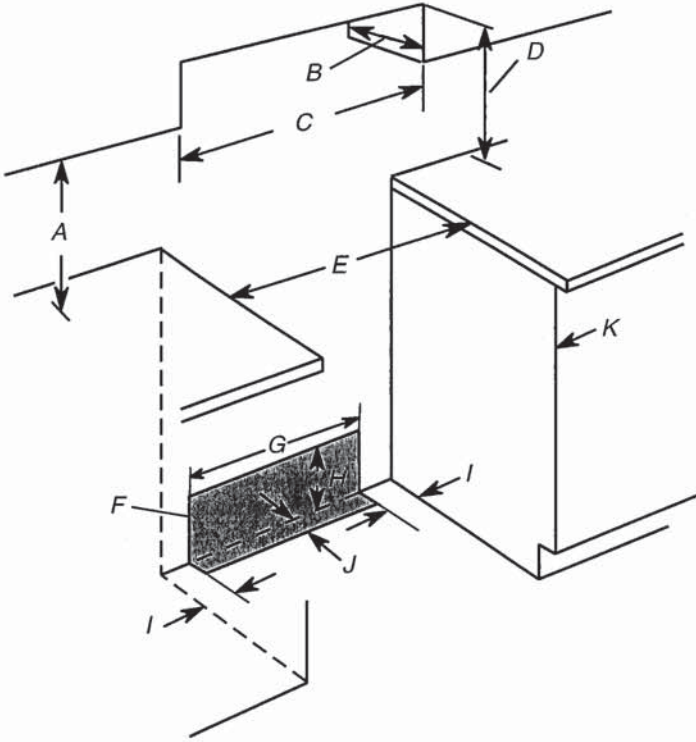
* Range can be raised approximately 1" (2.5 cm) by adjusting the leveling legs.

CABINET DIMENSIONS

Cabinet opening dimensions shown are for 25" (64.0 cm) countertop depth, 24" (61.0 cm) base cabinet depth and 36" (91.4 cm) countertop height.

IMPORTANT: If installing a range hood or microwave hood combination above the range, follow the range hood or microwave hood combination installation instructions for dimensional clearances above the cooktop surface.

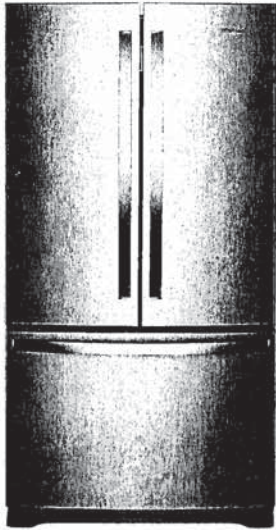
Range may be installed next to combustible walls with zero clearance.



- A. 18" (45.7 cm) upper side cabinet to countertop
- B. 13" (33 cm) max. upper cabinet depth
- C. 30" (76.2 cm) min. opening width
- D. For minimum clearance to top of cooktop, see NOTE*.
- E. 30" (76.2 cm) min. opening width
- F. The shaded area is recommended for installation of grounded outlet.
- G. 13¹/₈" (33.3 cm)
- H. 7¹/₁₆" (19.5 cm)
- I. 4¹³/₁₆" (12.2 cm)
- J. 3¹/₁₆" (9.4 cm)
- K. Cabinet door or hinges should not extend into the cutout.

* **NOTE:** 24" (61.0 cm) minimum when bottom of wood or metal cabinet is shielded by not less than 1/4" (0.64 cm) flame retardant millboard covered with not less than No. 28 MSG sheet steel, 0.015" (0.4 mm) stainless steel, 0.024" (0.6 mm) aluminum or 0.020" (0.5 mm) copper. 30" (76.2 cm) minimum clearance between the top of the cooking platform and the bottom of an uncovered wood or metal cabinet.

Whirlpool® 20 cu. ft. French Door Refrigerator WRF540CWH



Fingerprint-Resistant Stainless
 WRF540CWHZ

Also available in:

- White **WRF540CWHW**
- Black **WRF540CWHB**
- Fingerprint-Resistant Black Stainless **WRF540CWHV**

Key Features & Benefits

- Fingerprint Resistant**
Resists fingerprints and smudges with an easy-to-clean finish.
- Counter Depth Design**
Add additional kitchen space with styling that fits virtually flush with the countertop.
- Humidity-Controlled Crispers**
Store fruits and veggies in their ideal environment.

Capacity

Total Capacity	20 cu. ft.
Refrigerator Capacity	14 cu. ft.
Freezer Capacity	6 cu. ft.

General Features & Properties

- Interior Water Dispenser with EveryDrop® Water Filtration
- Full-Width, Temperature-Controlled Drawer
- Frameless Glass Shelves
- Gallon Door Bins
- Accu-Chill™ Temperature Management System
- Adaptive Defrost
- FreshFlow™ Produce Preserver

LED Interior Lighting

Designed, Engineered and Assembled in the U.S.A.

Electrical Details

Amps	20
Volts	115

Certifications

ENERGY STAR® Certified Yes

Technical Details

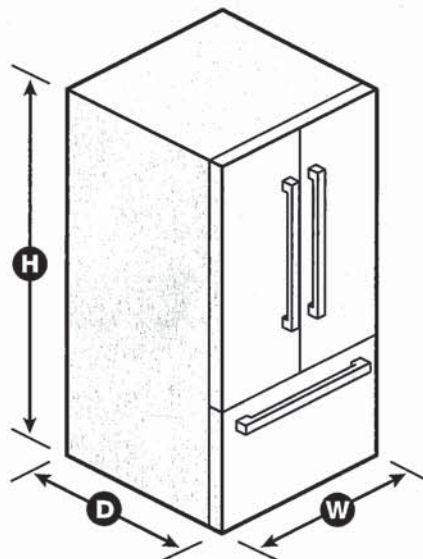
Refrigerator Type	French Door
Number of Doors	3
Number of Interior Refrigerator Shelves	5
Number of Refrigerator Door Bins	2 Fixed, 4 Adjustable
Number of Interior Freezer Shelves	1 Wire, 1 Plastic
Lighting Type	LED
Ice Maker	Factory Installed
Ice Maker Location	Freezer
Dispenser Type	Interior Water

Dimensions

Product Dimensions (H x W x D)	70-1/8" x 35-5/8" x 29 3/8"
Depth with Door Open 90°	43"
Cutout Dimensions	Allow extra 1/2" on sides and top Allow extra 1" on rear

Reference Material

- [Dimension Guide](#)
- [Use & Care Guide](#)
- [Energy Guide](#)
- [Warranty](#)



NOTE: Dimensions are for planning purposes only. For complete details, see Installation Instructions packed with product. Specifications subject to change without notice.

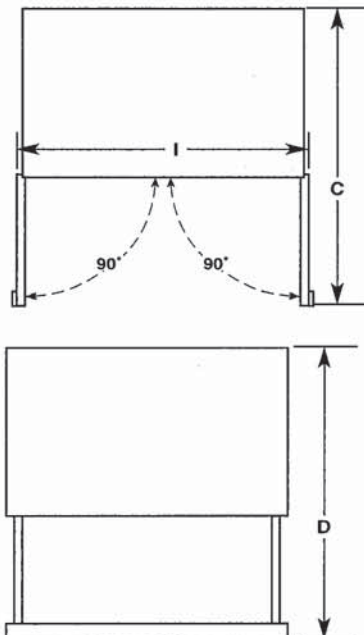
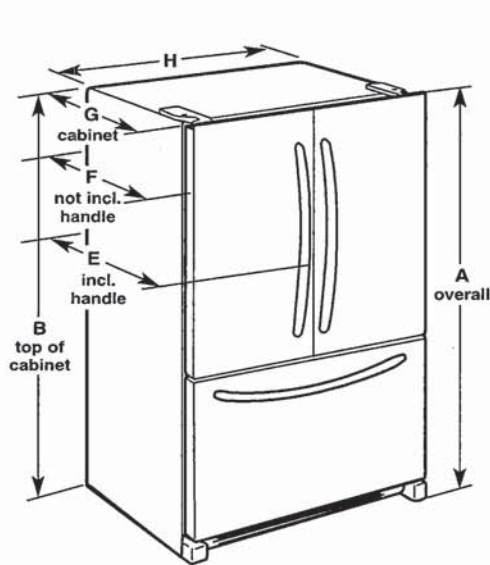
©/™ © 2020. All rights reserved. Printed in the U.S.A. D200052XXC. WRF540CWH SPECSHEETV01.



French Door Bottom Mount Refrigerator

WRF532SMH, WRF540CWH, WRF535SMH

PRODUCT DIMENSIONS



Model Number	WRF532SMH	WRF535SMH	WRF540CWH
Model Size	22.1 cu. ft.	25.2 cu. ft.	20.0 cu. ft.
Height - Overall "A"	70 ¹ / ₈ " (178.1 cm)	70 ¹ / ₈ " (178.1 cm)	70 ¹ / ₈ " (178.1 cm)
Height - Top of Cabinet "B"	68 ⁷ / ₈ " (174.9 cm)	68 ⁷ / ₈ " (174.9 cm)	68 ⁷ / ₈ " (174.9 cm)
Depth - Doors Open 90° "C"	47 ⁷ / ₈ " (119.7 cm)	48 ⁷ / ₈ " (122.2 cm)	43" (109.2 cm)
Depth - Drawer Open "D"	52 ¹ / ₈ " (132.4 cm)	52 ¹ / ₈ " (132.4 cm)	45 ⁷ / ₈ " (115.3 cm)
Depth - With Handles "E"	34 ¹ / ₂ " (87.4 cm)	35 ¹ / ₂ " (89.9 cm)	30 ¹ / ₂ " (77.5 cm)
Depth - Without Handles "F"	32" (81.3 cm)	33" (83.8 cm)	26 ⁷ / ₈ " (68.3 cm)
Depth - Cabinet Only "G"	28 ¹ / ₈ " (71.3 cm)	29 ¹ / ₈ " (73.9 cm)	24 ¹ / ₈ " (61.2 cm)
Width - Cabinet "H"	32 ⁵ / ₈ " (82.9 cm)	35 ⁵ / ₈ " (90.5 cm)	35 ⁵ / ₈ " (90.5 cm)
Width - Door Open 90° "I"	40 ³ / ₈ " (102.6 cm)	43 ³ / ₈ " (110.2 cm)	43 ³ / ₈ " (110.2 cm)

⚠ WARNING



Electrical Shock Hazard

- Plug into a grounded 3 prong outlet.
- Do not remove ground prong.
- Do not use an adapter.
- Do not use an extension cord.
- Failure to follow these instructions can result in death, fire, or electrical shock.

Electrical: A 115 V, 60 Hz, AC only 15 A or 20 A fused, grounded electrical supply is required. It is recommended that a separate circuit serving only your refrigerator be provided. Use an outlet that cannot be turned off by a switch. Do not use an extension cord.

NOTE: Before performing any type of installation, cleaning, or removing a light bulb, turn the control (Thermostat, Refrigerator or Freezer Control depending on the model) to OFF and then disconnect the refrigerator from the electrical source. When you are finished, reconnect the refrigerator to the electrical source and reset the control (Thermostat, Refrigerator or Freezer Control depending on the model) to the desired setting. See "Using the Controls."

Water: A cold water supply with water pressure between 35 psi and 120 psi (241 kPa and 827 kPa) is required to operate the water dispenser and ice maker. If you have questions about your water pressure, call a licensed, qualified plumber.

IMPORTANT: The pressure of the water coming out of a reverse osmosis system going to the water inlet valve of the refrigerator needs to be between 35 psi and 120 psi (241 kPa and 827 kPa).

Reverse Osmosis Water Supply:

If a reverse osmosis water filtration system is connected to your cold water supply, the water pressure to the reverse osmosis system needs to be a minimum of 40 psi to 60 psi (276 kPa to 414 kPa).

Whirlpool® French Door Bottom Mount Refrigerator

LOCATION REQUIREMENTS

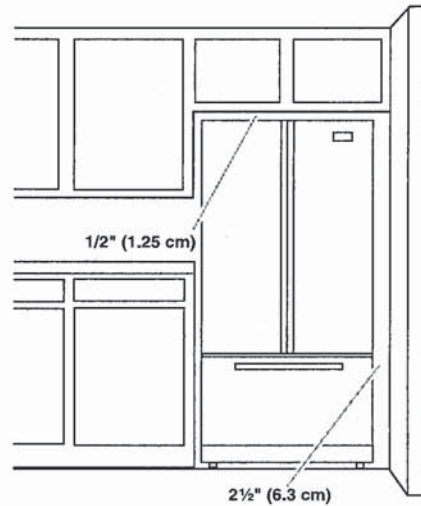
⚠ WARNING



Explosion Hazard

Keep flammable materials and vapors, such as gasoline, away from refrigerator.

Failure to do so can result in death, explosion, or fire.



IMPORTANT: This refrigerator is designed only for indoor, household use only.

To ensure proper ventilation for your refrigerator, allow for a 1/2" (1.25 cm) space on each side and at the top. Allow for 1" (2.54 cm) of space behind the refrigerator. If your refrigerator has an ice maker, make sure you leave some extra space at the back for the water line connections.

If you are installing your refrigerator next to a fixed wall, leave 2 1/2" (6.3 cm) minimum on the hinge side (some models require more) to allow for the door to swing open.

NOTE: This refrigerator is intended for use in a location where the temperature ranges from a minimum of 55°F (13°C) to a maximum of 110°F (43°C). The preferred room temperature range for optimum performance, which reduces electricity usage and provides superior cooling, is between 60°F (15°C) and 90°F (32°C). It is recommended that you do not install the refrigerator near a heat source, such as an oven or radiator.



53 dBA* Front Control Dishwasher

WDF540PAD



Monochromatic Stainless Steel
 WDF540PADM

Also available in:

- White **WDF540PADW**
- Black **WDF540PADB**

Capacity

Total Place Settings 15

General Features & Properties

- Soil Sensor
- In-Door Silverware Basket
- Sani Rinse Option
- Normal Cycle
- Heavy Cycle
- High Temperature Wash Option
- Heated Dry Option
- ENERGY STAR® Certified
- Industry's Best Selling Dishwasher Brand†

Electrical Details

Amps 15
 Volts 120
 Hz 60

Certifications

ENERGY STAR® Certified Yes

Technical Details

Dishwasher Type Built-in
 Control Location Front
 Control Type Electronic
 Number of Wash Cycles 5
 Number of Options 5
 dBA* 53
 Number of Racks 2
 Tub Material Plastic
 Wash System Filter
 Wash System Type Removable Filter
 Number of Wash Arms 3

Dimensions

Product Dimensions (H x W x D) 34-1/2" x 23-7/8" x 24-1/2"
 Depth with Door Open 90° 49-1/2"

Reference Material

- [Dimension Guide](#)
- [Install Guide](#)
- [Use & Care Guide](#)
- [Energy Guide](#)
- [Warranty](#)

Key Features & Benefits

Sensor Cycle

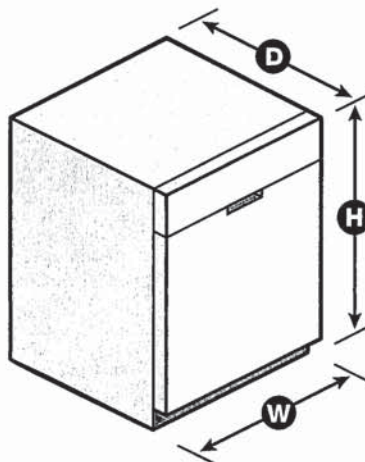
Automatically get the right wash and dry settings for each load with two sensors that measure temperature, soil level and load size during prewash and the wash cycle.

1-Hour Wash Cycle

Clean the dishes you need fast with a cycle that thoroughly takes care of plates, pans and glasses in just an hour.**

Cycle Memory

Quickly start your dishwasher with one button. It automatically remembers the last cycle you picked so it's stored and ready to go.



*Per IEC standards. **Compared to Normal cycle with lightly soiled loads. †Based on 12-month average of unit sales. TraQline 2018. NOTE: Dimensions are for planning purposes only. For complete details, see Installation Instructions packed with product. Specifications subject to change without notice. ©/™ © 2020. All rights reserved. Printed in the U.S.A. D200052XXA. WDF540PADSPECSHEETV01.

Whirlpool® Undercounter Dishwasher

PRODUCT MODEL NUMBERS

WDF110PAB	WDF310PLA	WDF530PSY
WDF111PAB	WDF320PAD	WDF540PAD
WDF120PAF	WDF510PAY	WDF730PAY
WDF121PAF	WDF520PAD	WDT710PAY
WDF310PAA	WDF530PAY	WDT720PAD
WDF310PCA	WDF530PLY	WDT770PAY

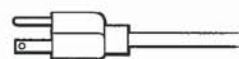
Electrical Requirements: 120-volt, 60-Hz, AC only, 15- or 20-amp. fused electrical supply. Copper wire only. A time delay fuse or circuit breaker and separate circuit is recommended.

If direct wiring dishwasher: Use flexible, armored, or nonmetallic, sheathed copper wire with grounding wire that meets the wiring requirements for your home and local codes and ordinances. Use a UL listed or CSA approved conduit connector.

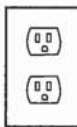


If connecting dishwasher with a power supply cord:

Use Power Supply Cord Kit (Part No. 4317824) marked for use with dishwashers. Follow the kit instructions for installing the power supply cord.



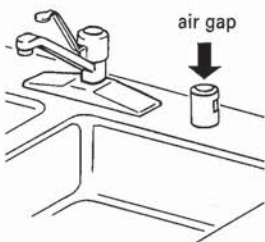
Power supply cord must plug into a grounded 3 prong, outlet, located in the cabinet next to the dishwasher opening. Outlet must meet all local codes and ordinances.



Water Supply Requirements: A hot water line with 20 to 120 psi (138 to 862 kPa) water pressure. Water temperature must be 120°F (49°C) water at dishwasher. Use 3/8" O.D. copper tubing with compression fitting or flexible braided water supply line (1/2" minimum plastic tubing is not recommended). Use a 90° elbow with 3/4" N.P.T. external pipe threads on one end. Do not solder within 6" (15.2 cm) from water inlet valve.

Drain Requirements: A new drain hose is supplied with your dishwasher. If this is not long enough, use a new drain hose with a maximum length of 12' (3.7 m) (Part No. 3385556) that meets all current AHAM/IAPMO test standards, is resistant to heat and detergent, and fits the 1" (2.5 cm) drain connector of the dishwasher.

Make sure to connect the drain hose to waste tee or disposer inlet above drain trap in house plumbing and 20" (50.8 cm) minimum above the floor. It is recommended



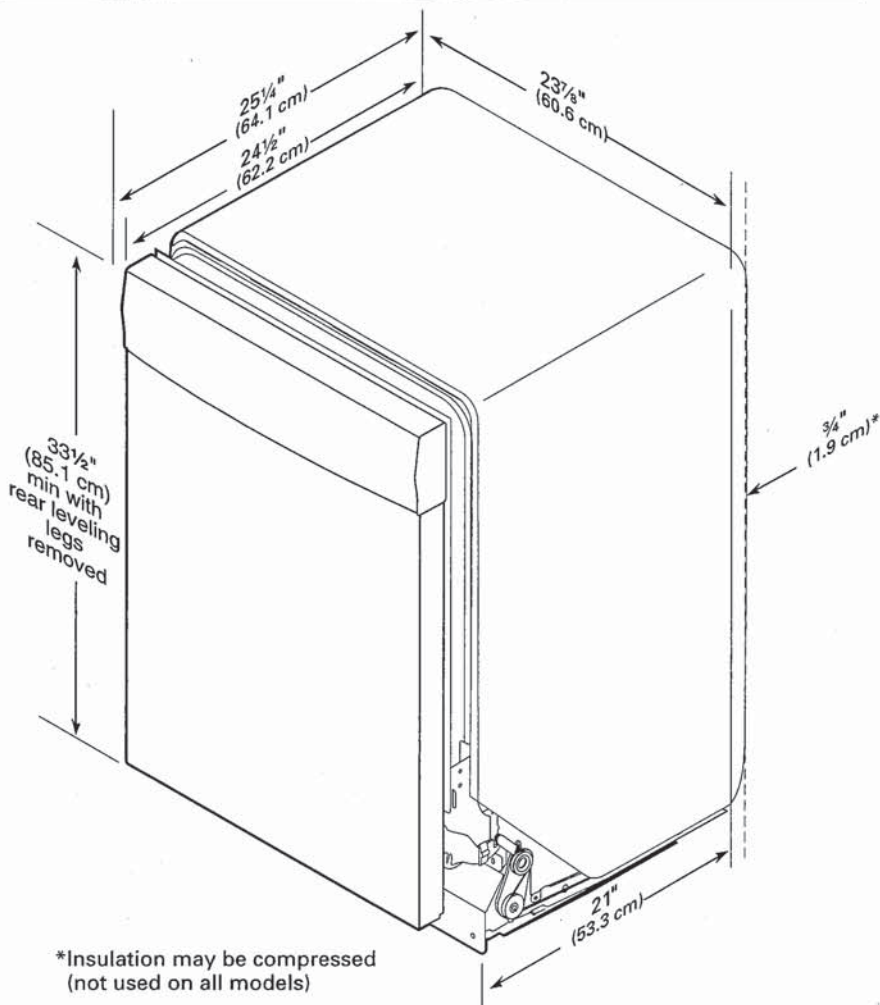
that the drain hose either be looped up and securely fastened to the underside of the counter or be connected to an air gap.

Make sure to use an air gap if the drain hose is connected to house plumbing lower than 20" (50.8 cm) above subfloor or floor.

Use 1/2" (1.3 cm) minimum I.D. drain line fittings.

If required, the air gap should be installed in accordance with the air gap installation instructions. When connecting the air gap, a rubber hose (not provided) will be needed to connect to the waste tee or disposer inlet.

PRODUCT DIMENSIONS

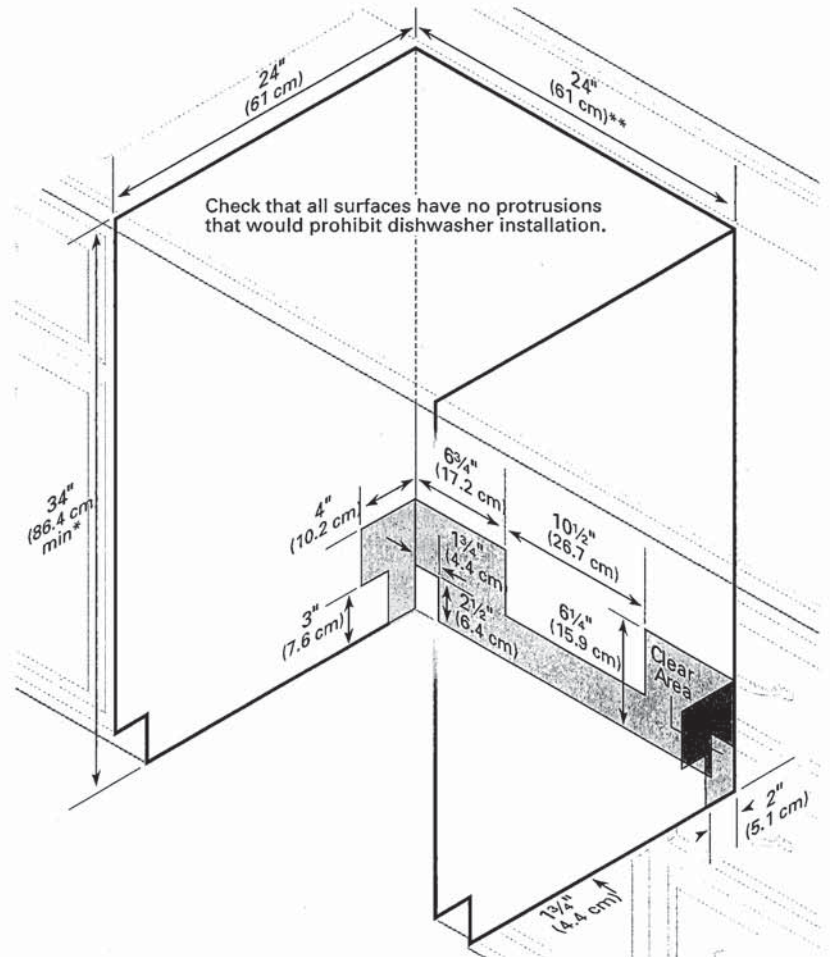


CABINET CUTOUT DIMENSIONS

NOTE: Shaded areas of cabinet walls show where utility connections may be installed.

*Measure from the lowest point on the underside of the countertop. May be reduced to 33½" (85.1 cm) by removing the rear leveling legs from dishwasher.

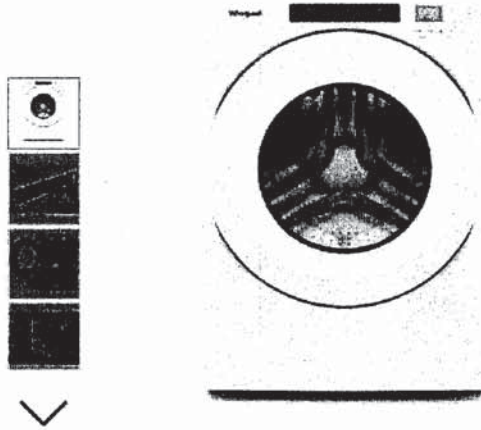
**Minimum, measured from narrowest point of opening.



5.0 cu.ft I.E.C. Closet-Depth Front Load Washer with Intuitive Controls

Model: WFW560CHW

Overview Specifications Reviews You May Also Like Help And Resources Find In Store



Key Features

- #1 in Customer Satisfaction in the J.D. Power 2020 Laundry Appliances Satisfaction Study
- 5.0 cu. ft. I.E.C. Capacity
- ENERGY STAR® Certified
- Intuitive Controls
- Sanitize Cycle with Oxi

Color

White



Specifications

Width:
 6858.00, 27.0"
 Centimeters, Inches

Depth:
 8016.88, 31-9/16"
 Centimeters, Inches

Dimensions

Capacity	4-3/10
Depth	8016.88 cm, 31-9/16 in
Gross Weight	97068688.00 kg, 214 lbs
Net Weight	92532768.00 kg, 204 lbs
Width	6858.00 cm, 27.0 in

Appearance

LCD Touch Screen	No
Window	Yes

Details

Advanced Vibration Control™	No
Dispense System	Detergent, Fabric Softener & Bleach
Eco Monitor/Efficiency Monitor	No
Hoses Included	4ft 4in Drain Hose Included
Internal Heater	No
Maximum Spin Speed	1160
Out Of Balance Sensing	Yes
Water Factor	3-1/5

Cycles and Options

Number Of Wash Cycles	35
-----------------------	----

Electrical

Power Cord Included	Yes
---------------------	-----

Controls

Automatic Temperature Controls	Yes
Control Location	Front
LCD Touch Screen	No

Compatibility

Works With	No
------------	----

Options

Number Of Washer Options	7
--------------------------	---

Features

Stackable	Yes
Water Faucet	No

Cycles

Number Of Wash Cycles	35
-----------------------	----

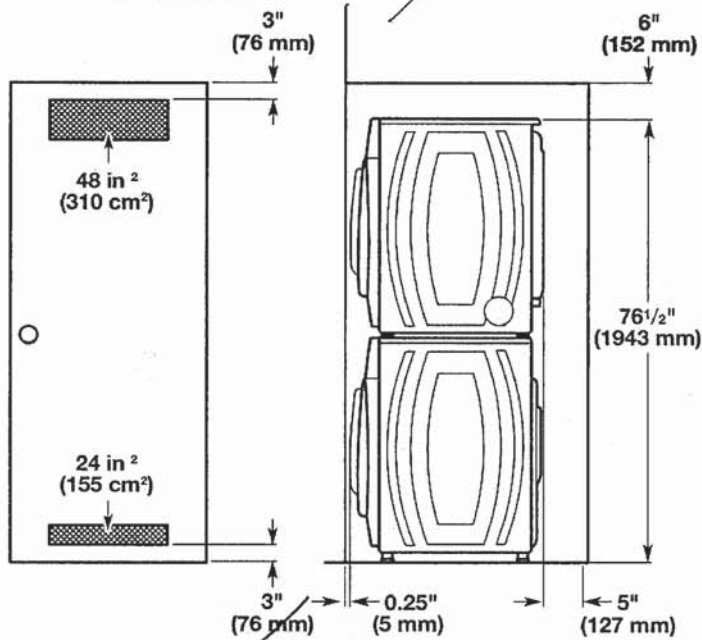
Exterior

Lid/Door Lock	Yes
Lid/Door Swing	Left

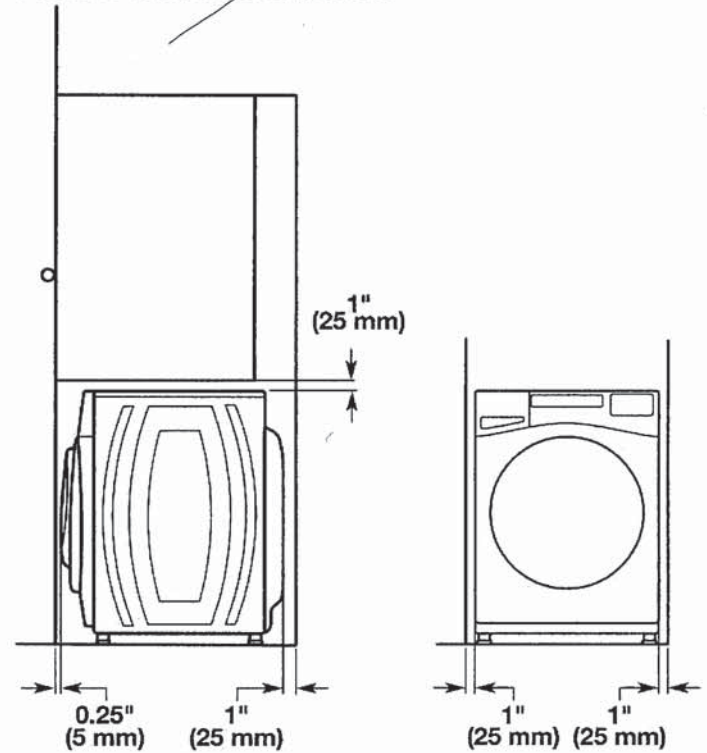
Modifiers

Delay Start	No
Number Of Rinse Options	2
Number Of Soil Levels	3
Number Of Spin Speeds	4
Number Of Wash/Rinse Temperatures	4
Pre Soak	Yes
Temperature Selections	Hot, Cold, Cool, Warm

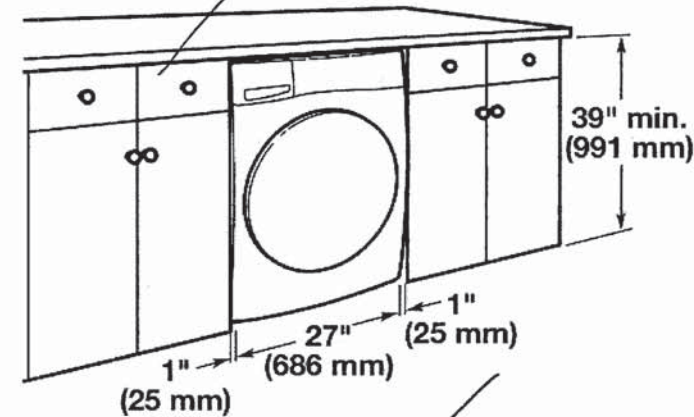
Recessed area or closet installation (stacked washer and dryer)



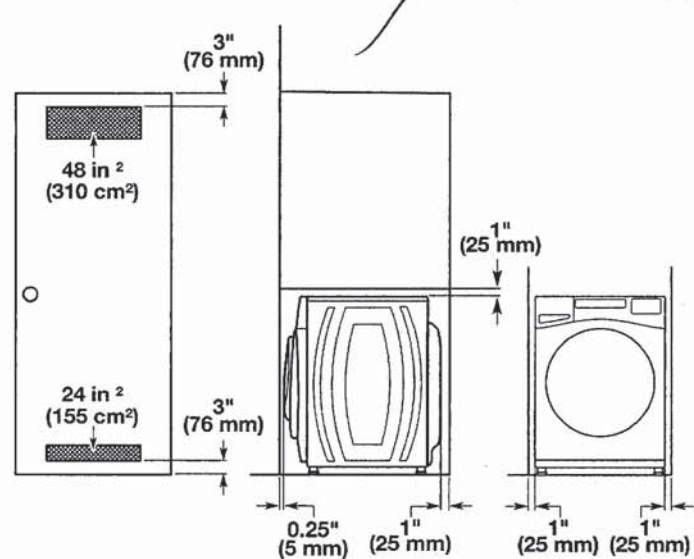
Custom cabinet installation



Custom under counter installation



Recessed area or closet installation (washer only)



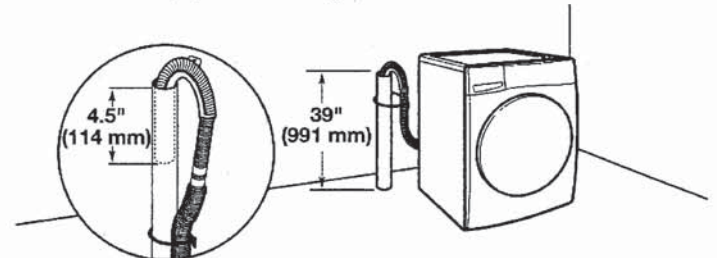
Drain System

It is the responsibility of the installer to install and secure the drain hose in to the provided plumbing/drain in a manner that will avoid the drain hose coming out of or leaking from the plumbing/drain.

Drain system can be installed using a floor drain, wall standpipe, floor standpipe, or laundry tub. Select the method you need.

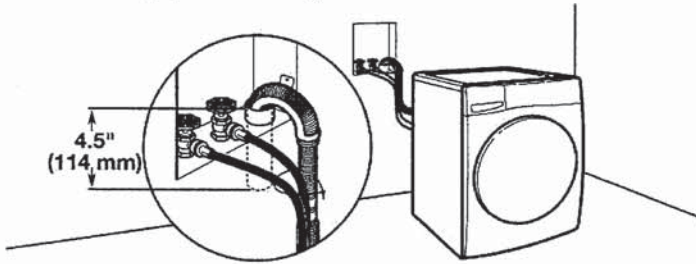
IMPORTANT: To avoid siphoning, only 4.5" (114 mm) of drain hose should be inside standpipe. Always secure drain hose with cable tie.

Floor standpipe drain system



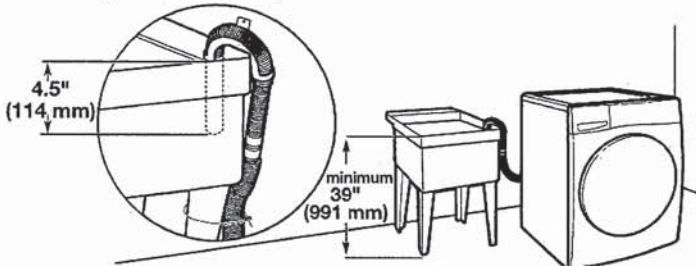
Minimum diameter for a standpipe drain: 2" (51 mm). Minimum carry-away capacity: 17 gallons (64 L) per minute. A 1/4" (6 mm) diameter to 1" (25 mm) diameter Standpipe Adapter Kit is available; refer to the Quick Start Guide for online ordering information. Top of standpipe must be at least 39" (762 mm) high; install no higher than 96" (2.4 m) from bottom of washer. If you have an overhead sewer and need to pump higher than 96" (2.4 m), a sump pump and associated hardware are needed. See "Alternate Parts."

Wall standpipe drain system

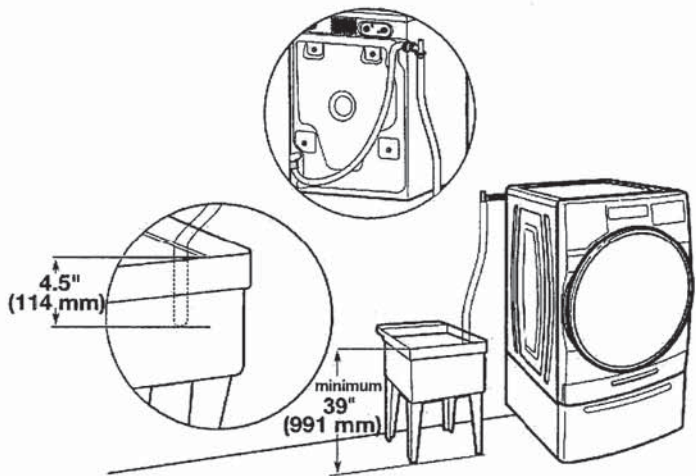


See requirements in "Floor standpipe drain system."

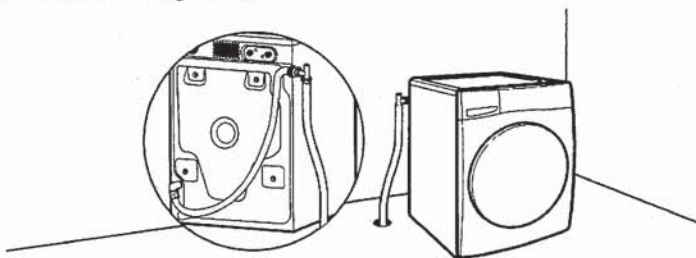
Laundry tub drain system



Minimum capacity: 20 gallons (76 L). Top of laundry tub must be at least 39" (991 mm) from the floor; install no higher than 96" (2.4 m) from bottom of washer.



Floor drain system



Floor drain system requires a Siphon Break Kit, 2 Connector Kits, and an Extension Drain Hose that may be purchased separately; refer to the Quick Start Guide for online ordering information. Minimum siphon break height: 28" (710 mm) from bottom of washer. (Additional hoses may be needed.)

Electrical Requirements

⚠ WARNING



Electrical Shock Hazard

Plug into a grounded 3 prong outlet.

Do not remove ground prong.

Do not use an adapter.

Do not use an extension cord.

Failure to follow these instructions can result in death, fire, or electrical shock.

- A 120 V, 60 Hz, AC only, 15 or 20 A, fused electrical supply is required. A time-delay fuse or circuit breaker is recommended. It is recommended that a separate circuit breaker serving only this appliance be provided.
- This washer is equipped with a power supply cord having a 3-prong grounding plug.
- To minimize possible shock hazard, the cord must be plugged into a mating, 3-prong, grounding-type outlet, grounded in accordance with local codes and ordinances. If a mating outlet is not available, it is the personal responsibility and obligation of the customer to have the properly grounded outlet installed by a qualified electrician.
- If codes permit and a separate ground wire is used, it is recommended that a qualified electrician determine that the ground path is adequate.
- Do not ground to a gas pipe.
- Check with a qualified electrician if you are not sure the washer is properly grounded.
- Do not have a fuse in the neutral or ground circuit.

GROUNDING INSTRUCTIONS

For a grounded, cord-connected appliance:

This appliance must be grounded. In the event of a malfunction or breakdown, grounding will reduce the risk of electric shock by providing a path of least resistance for electric current. This appliance is equipped with a cord having an equipment-grounding conductor and a grounding plug. The plug must be plugged into an appropriate outlet that is properly installed and grounded in accordance with all local codes and ordinances.

WARNING: Improper connection of the equipment-grounding conductor can result in a risk of electric shock.

Check with a qualified electrician or serviceman if you are in doubt as to whether the appliance is properly grounded. Do not modify the plug provided with the appliance: If it will not fit the outlet, have a proper outlet installed by a qualified electrician.

For a permanently connected appliance:

This appliance must be connected to a grounded metal, permanent wiring system, or an equipment-grounding conductor must be run with the circuit conductors and connected to the equipment-grounding terminal or lead on the appliance.

SAVE THESE INSTRUCTIONS