

PW2 LOT 352 - KITCHEN FAUCET 940LF-BL

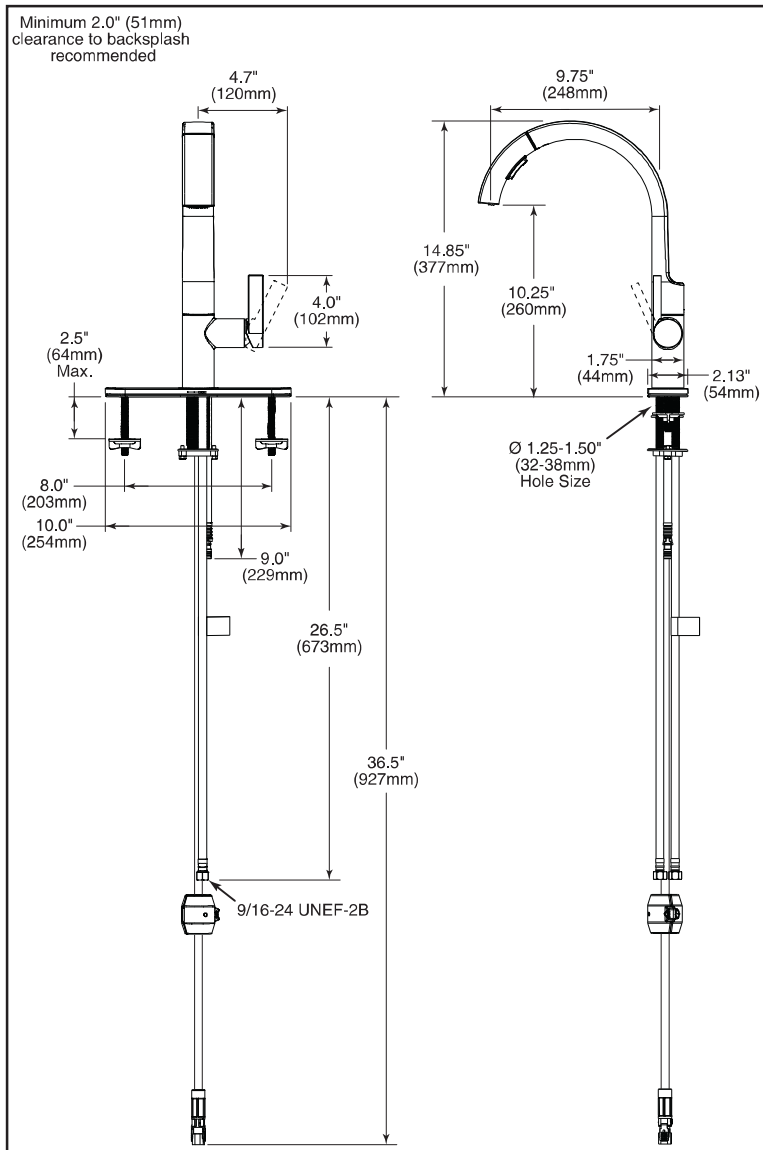


KITCHEN FAUCETS

- Keele™ Pull-Down Kitchen Faucet
- Single Handle Deck Mount
- MagnaTite® Magnetic Docking

SUBMITTED MODEL NO.: _____

SPECIFIC FEATURES: _____



STANDARD SPECIFICATIONS:

- Single handle kitchen faucet
- One or three hole mount (RP63209 Escutcheon optional, not included)
- 8" centres with optional 10" long escutcheon (ordered separately)
- 14.85" (377 mm) high, 9.75" (248 mm) spout length, swings 360°
- Pull-down spout operates in an aerated or spray mode via an easy push toggle button
- MagnaTite® magnetic docking
- Touch-Clean® spray head
- Quick Snap® hose installation
- Dual integral check valves
- Spout is connected to valve body with a 59" (150 cm) long hose
- Ceramic cartridge
- Standard with 3/8" compression
- Maximum flow rate 1.8 gpm @ 60 PSI, 6.8 L/min @ 414 kPa
- Maximum flow rate 1.50 gpm @ 60 psi, 5.7 L/min @ 414 kPa

COMPLIES WITH:

- ASME A112.18.1 / CSA B125.1
- Verified compliant with 0.25% weighted average Pb content regulations
- Indicates compliance to ICC/ANSI A117.1

WARRANTY

- Parts and Finish - Lifetime limited warranty; or for commercial purchasers, 10 years for multi-family residential (apartments and condominiums) and 5 years for all other commercial uses, in each case from the date of purchase.
- Electronic Parts and Batteries (if applicable) - 5 years from the date of purchase; or for commercial purchasers, 1 year from the date of purchase. No warranty is provided on batteries.

▲ Designate Proper Finish Suffix

Delta Faucet Company
 350 South Edgeware Road, St. Thomas, ON N5P 4L1
 55 E. 111th Street, Indianapolis, IN 46280
 © 2023 Delta Faucet Company

Delta Faucet reserves the right (1) to make changes in specifications and materials, and (2) to change or discontinue models, both without notice or obligation. Dimensions are for reference only. See current full-line price book or www.deltafaucet.com for finish options and product availability.

DSP-K-940LF, Rev. A

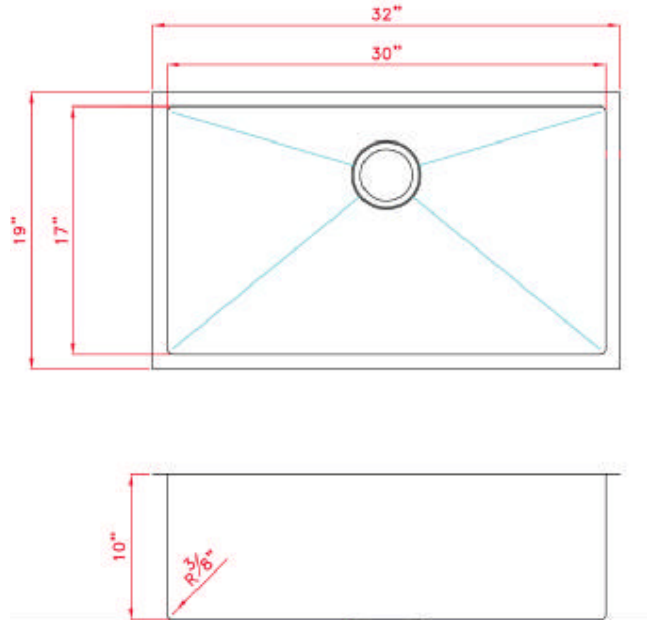
DS DS
 ABC K

PW2 LOT 352 - KITCHEN SINK B1926

Product Specification Sheet



B1926 Undermount Sink with 15mil Radius Corners



Colour Finish
Stainless Steel

Model No.
B1926

Description

- Single Bowl Undermount Sink with 15mil radius corners
- Outside dimensions: 32" x 19" x 10"
- Minimum Cabinet Size: 33"
- Stainless Steel Single Bowl Sink
- 16 Gauge Type 304 Stainless Steel
- Stone Guard undercoating over rubber pad
- 3 1/2" drain opening
- Supplied with installation clip, template and strainer
- cUPC certified

Available accessories

- BG1926 - Stainless Steel Grid
- Colander Strainer - Stainless Steel
- Zero Radius Basket
- Drying Rack



MAIN LOCATION

BRISTOL SINKS
56 Firestone Blvd
London, Ontario
N5W 6E6

WESTERN LOCATION

BRISTOL SINKS
964 72nd Avenue NE
Calgary, Alberta
T2E 8V9

CONTACT

Tel: 1 (800) 930-0214
Fax: 1 (866) 310-7580
Email: sales@bristolsinks.com

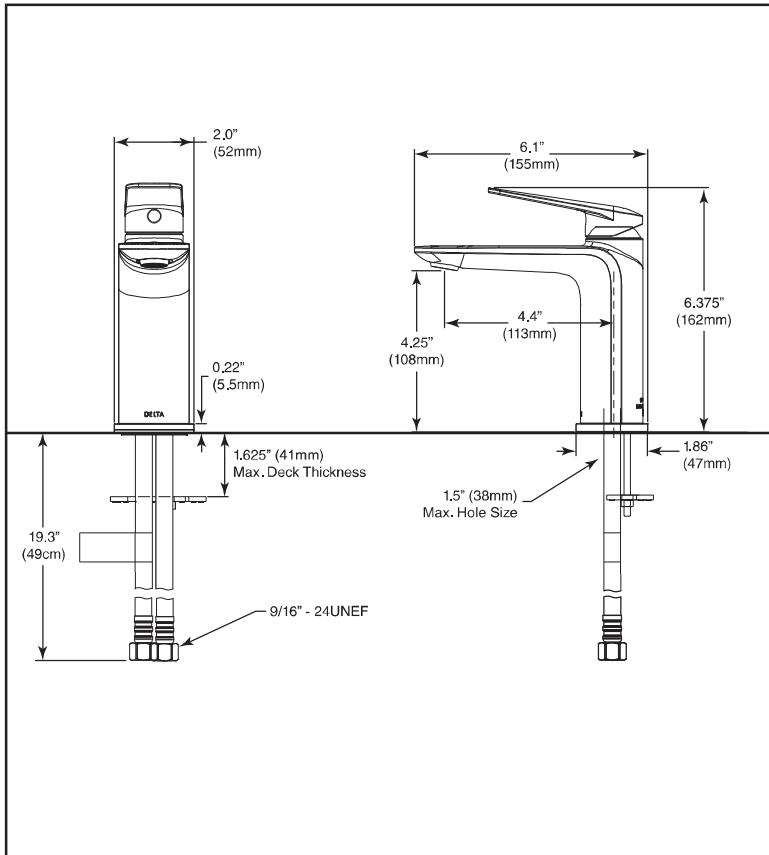


PW2 LOT 352 - POWDER ROOM FAUCET 571LF



Submitted Model No.: _____

Specific Features: _____



see what Delta can do™

BATHROOM FAUCETS

- Portage™ Bath Family
- Single Handle Deck Mount

STANDARD SPECIFICATIONS:

- **571LF-▲-LPU** - Max flow rate 1.2 gpm @ 60 psi, 4.5 L/min @ 414 kPa (Aerated pressure compensating)
- **571LF-▲-LPU-1.0** - Max flow rate 1.0 gpm @ 60 psi, 3.8 L/min @ 414 kPa (Aerated pressure compensating)
- **571LF-▲-LPU-0.5** - Max flow rate 0.5 gpm @ 60 psi, 1.9 L/min @ 414 kPa (Aerated pressure compensating)
- Standard single hole mount or three hole mount with optional - 6" (152mm) Escutcheon (sold seperately)
- 1 5/8" (41mm) max. deck thickness
- Ceramic cartridge
- Red/blue indicator markings
- Metal lever handle
- Solid brass body
- 19" (483mm) long flexible supply lines with 3/8" supply fittings
- Rigid Spout
- Less pop-up, no pop-up hole

OPTIONAL ACCESSORIES:

(sold seperately)

- RP101342▲ - 6" (152mm) Escutcheon
- 72173▲ - push pop-up with overflow
- 33W576▲ - push pop-up with overflow holes

WARRANTY

- Parts and Finish - Lifetime limited warranty; or for commercial purchasers, 10 years for multi-family residential (apartments and condominiums) and 5 years for all other commercial uses, in each case from the date of purchase.
- Electronic Parts and Batteries (if applicable) - 5 years from the date of purchase; or for commercial purchasers, 1 year from the date of purchase. No warranty is provided on batteries.



COMPLIES WITH:

- ASME A112.18.1 / CSA B125.1
- EPA WaterSense®, applies to 571LF-▲-LPU 1.2 gpm @ 60 psi, 4.5 L/min @ 414 kPa models only.
- Verified compliant with 0.25% weighted average Pb content regulations
- ♿ Indicates compliance to ICC/ANSI A117.1

▲ Designate Proper Finish Suffix

Delta Faucet Company reserves the right (1) to make changes in specifications and materials, and (2) to change or discontinue models, both without notice or obligation. Dimensions are for reference only. See current full-line price book or www.deltafaucet.com for finish options and product availability.

DSP-L-571LF-LPU, Rev. B

Delta Faucet Company

55 E. 111th Street, Indianapolis, IN 46280
350 South Edgeware Road, St. Thomas, ON N5P 4L1
© 2020 Delta Faucet Company

DS ABC K