



My Store North Brampton Open - Closes 9 p.m.

Rental Credit Services For the Pro Order Status Customer Support Gift Cards Français

Search bar with magnifying glass icon

Account / Sign In Cart
Lot 49

Shop by Department Shop by Room Ideas & How-to Home Services Specials & Offers Weekly Flyer

Spring Done Here event is on now Don't wait! Sign up now!

KitchenAid 30-inch Combination Microwave Wall Oven with Air Fry Mode - PrintShield

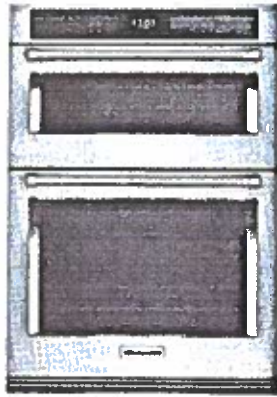
Model # KOEC530PPS | Store SKU # 1001880071

(0) Write a Review Q&A (0)

\$5,895.00 / each

SP
Apr. 2, 24

OR



Click/tap image to expand



As low as \$246.63 / month* for 24 months with our consumer credit card.

Advertisement not available in Quebec.

[Details](#) [Apply Now](#)

Delivery Charges Apply

Appliance Delivery

Enter your postal code for availability and earliest delivery date.

ATA 1A1 Submit

Add To Cart

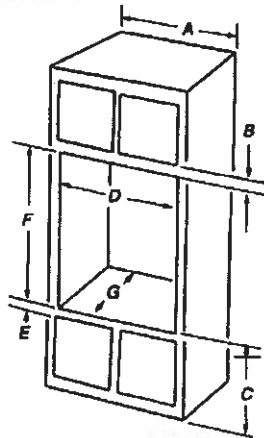
Price and availability may vary by store and between online and in-store. [Click here for details.](#)

Appliance Specialist Feedback

Customers Who Viewed this Item Bought



Cabinet Dimensions — Built-in Microwave/Oven Combination
Standard Installation



- | | |
|---|---|
| 27" (68.6 cm) models | 30" (76.2 cm) models |
| A. 27" (68.6 cm) minimum cabinet width | A. 30" (76.2 cm) minimum cabinet width |
| B. 1 1/4" (3.2 cm) top of cutout to bottom of upper cabinet door | B. 1 1/4" (3.2 cm) top of cutout to bottom of upper cabinet door |
| C. 19 1/4" (48.9 cm) bottom of cutout to floor is recommended. 7.5"-19 1/2" (19.1-48.9 cm) bottom of cutout to floor is acceptable. | C. 19 1/4" (48.9 cm) bottom of cutout to floor is recommended. 7.5"-19 1/2" (19.1-48.9 cm) bottom of cutout to floor is acceptable. |
| D. 25 1/2" minimum (64.8 cm) cutout width | D. 28 1/2" (72.4 cm) minimum cutout width |
| E. 1 1/2" (3.8 cm) minimum bottom of cutout to top of cabinet door | E. 1 1/2" (3.8 cm) minimum bottom of cutout to top of cabinet door |
| F. 41 1/8" (105 cm)* recommended cutout height | F. 41 1/8" (105 cm)* recommended cutout height |
| G. 24" (60.7 cm) cutout depth | G. 24" (60.7 cm) cutout depth |

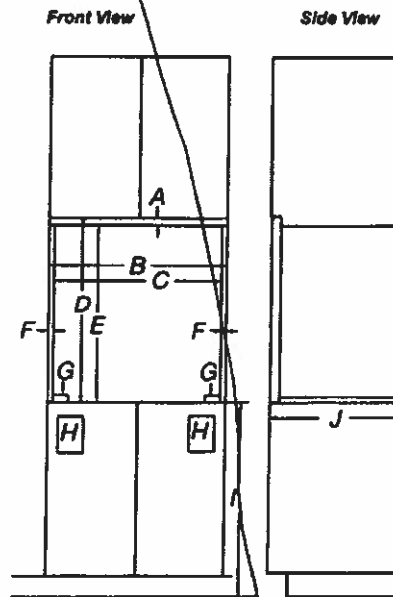
*NOTE: The cutout height can be between 41 1/8" (104.5 cm) and 41 1/2" (105.6 cm) for microwave/oven combination.

Flush installation

A 25" (63.5 cm) minimum cutout depth is required.

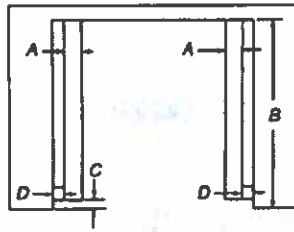
These dimensions will result in a 1/4" (6 mm) reveal on the top, a 1/4" (6 mm) reveal on the sides, and a 1/8" (3 mm) reveal on the bottom of the wall oven. Top and bottom gaps are not required for installation.

The front face of the cleats and platform will be visible and should be treated as a finished surface.



- | | |
|--|---|
| 27" (68.6 cm) models | 30" (76.2 cm) models |
| A. 3/4" (1.9 cm) top cleat* | A. 3/4" (1.9 cm) top cleat* |
| B. 27 1/4" (69.2 cm) minimum width of flush inset cutout | B. 30 1/2" (76.8 cm) minimum width of flush inset cutout |
| C. 25 1/2" (65.7 cm) minimum width of opening | C. 28 1/2" (73.3 cm) minimum width of opening |
| D. 43" (109.2 cm) minimum height of flush inset cutout | D. 43" (109.2 cm) minimum height of flush inset cutout |
| E. 42 1/2" (107.3 cm) recommended cutout height | E. 42 1/2" (107.3 cm) recommended cutout height |
| F. 1 1/16" (1.7 cm) side cleat* | F. 1 1/16" (1.7 cm) side cleat* |
| G. 1/4" (0.6 cm) recommended with foot. 15/16" to 1 1/8" (2.3 cm to 3.5 cm) allowable without foot | G. 1/4" (0.6 cm) recommended with foot. 15/16" to 1 1/8" (2.3 cm to 3.5 cm) allowable without foot. |
| H. Recommended junction box location | H. Recommended junction box location |
| I. 4 1/2"-19 1/4" (11.7-48.9 cm) bottom of cutout to floor | I. 4 1/2"-19 1/4" (11.7-48.9 cm) bottom of cutout to floor |
| J. 25" (63.5 cm) minimum depth of cutout | J. 25" (63.5 cm) minimum depth of cutout |

*Cleats and spacers must be recessed 1 3/8" (3.5 cm) from the front of the cabinet.



Top View

27" (68.6 cm) models

- A. 2" (5.1 cm) spacer the entire depth of the cutout*
- B. 25" (63.5 cm) depth of cutout
- C. 1 1/2" (3.5 cm) recess from front of cabinet
- D. 1 1/16" (1.7 cm) side cleat*

30" (76.2 cm) models

- A. 2" (5.1 cm) spacer the entire depth of the cutout*
- B. 25" (63.5 cm) depth of cutout
- C. 1 1/2" (3.5 cm) recess from front of cabinet
- D. 1 1/16" (1.7 cm) side cleat*

*Cleats and spacers must be recessed 1 1/8" (3.5 cm) from the front of the cabinet.

Electrical Requirements

⚠ WARNING

Electrical Shock Hazard

Electrically ground appliance.

Failure to do so could result in death, fire, or electrical shock.

If codes permit and a separate ground wire is used, it is recommended that a qualified electrical installer determine that the ground path and the wire gauge are in accordance with local codes.

Check with a qualified electrical installer if you are not sure the oven is properly grounded.

This oven must be connected to a grounded metal, permanent wiring system.

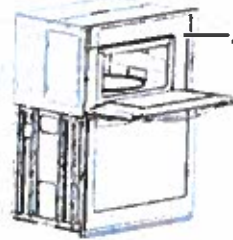
Be sure that the electrical connection and wire size are adequate and in conformance with the National Electrical Code, ANSI/NFPA 70-latest edition or CSA Standards C22.1-94, Canadian Electrical Code, Part 1 and C22.2 No. 0-M91-latest edition, and all local codes and ordinances.

A copy of the above code standards can be obtained from:
 National Fire Protection Association
 1 Batterymarch Park
 Quincy, MA 02169-7471
 CSA International
 8501 East Pleasant Valley Road
 Cleveland, OH 44131-5575

Electrical Connection

To properly install your oven, you must determine the type of electrical connection you will be using and follow the instructions provided for it here.

- Oven must be connected to the proper electrical voltage, amperage, and frequency as specified on the model/serial/rating plate. See the following illustration.



A. Model/serial/rating plate

- Models rated from 7.3 to 9.6 kW at 240 V (6.3 to 8.3 kW at 208 V) require a separate 40 A circuit. Models rated from 4.9 to 7.2 kW at 240 V (4.3 to 6.2 kW at 208 V) require a separate 30 A circuit. Models rated at 4.8 kW and below at 240 V (4.2 kW and below at 208 V) require a separate 20 A circuit.
- A circuit breaker is recommended.
- Connect directly to the fused disconnect (or circuit breaker box) through flexible, armored or nonmetallic sheathed, copper cable (with grounding wire). See the "Make Electrical Connection" section.
- Flexible conduit from the oven should be connected directly to the junction box.
- Do not cut the conduit. The length of conduit provided is for serviceability of the oven.
- A UL listed or CSA approved conduit connector must be provided.
- If the house has aluminum wiring, follow the procedure below:

Connect the aluminum wiring using special connectors and/or tools designed and UL listed for joining copper to aluminum.

Follow the electrical connector manufacturer's recommended procedure. Aluminum/copper connection must conform with local codes and industry accepted wiring practices.

Be sure that the electrical connection and wire size are adequate and in conformance with the National Electrical Code, ANSI/NFPA 70-latest edition or CSA Standards C22.1-94, Canadian Electrical Code, Part 1 and C22.2 No. 0-M91-latest edition, and all local codes and ordinances. A copy of the above code standards can be obtained from: National Fire Protection Association 1 Batterymarch Park Quincy, MA 02169-7471 CSA International 8501 East Pleasant Valley Road Cleveland, OH 44131-5575.

Lot 49
30" (SP)

ELECTRIC COOKTOP INSTALLATION INSTRUCTIONS

Apr. 2, 24

INSTRUCTIONS D'INSTALLATION DE LA TABLE DE CUISSON ÉLECTRIQUE

INSTRUCCIONES DE INSTALACIÓN DE LA PARRILLA ELÉCTRICA

Table of Contents/Table des matières/Tabla de contenidos

COOKTOP SAFETY	2	SÉCURITÉ DE LA TABLE DE CUISSON	10
INSTALLATION REQUIREMENTS	2	EXIGENCES D'INSTALLATION	10
Tools and Parts.....	2	Outils et pièces.....	10
Location Requirements.....	2	Exigences d'emplacement.....	10
Electrical Requirements.....	4	Spécifications électriques.....	12
INSTALLATION INSTRUCTIONS	5	INSTRUCTIONS D'INSTALLATION	13
Prepare Cooktop for Installation.....	5	Préparation de la table de cuisson pour l'installation.....	13
Install Cooktop.....	5	Installation de la table de cuisson.....	13
Make Electrical Connection.....	7	Raccordement électrique.....	15
Attach Cooktop to Countertop.....	9	Fixation de la table de cuisson au plan de travail.....	17
Complete Installation.....	9	Achever l'installation.....	17
		SEGURIDAD DE LA PARRILLA ELÉCTRICA	18
		REQUISITOS DE INSTALACIÓN	18
		Herramientas y piezas.....	18
		Requisitos de ubicación.....	18
		Requisitos eléctricos.....	20
		INSTRUCCIONES DE INSTALACIÓN	21
		Preparación de la parrilla eléctrica para la instalación.....	21
		Instalación de la parrilla eléctrica.....	21
		Haga la conexión del suministro eléctrico.....	23
		Cómo fijar la parrilla eléctrica al mostrador.....	25
		Completar la instalación.....	25

IMPORTANT:

Save for local electrical inspector's use.

IMPORTANT :

À conserver pour consultation par l'inspecteur local des installations électriques.

IMPORTANT :

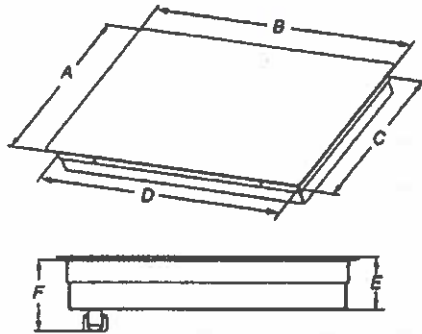
Ahorre para el uso del inspector eléctrico local.

W11206696D

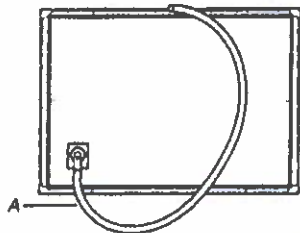
- Use the countertop opening dimensions that are given with these Installation Instructions. Given dimensions are minimum clearances and provide 0" (0 cm) clearance.
- Grounded electrical supply is required. See "Electrical Requirements" section.

IMPORTANT: To avoid damage to your cabinets, check with your builder or cabinet supplier to make sure that the materials used will not discolor, delaminate, or sustain other damage.

Product Dimensions



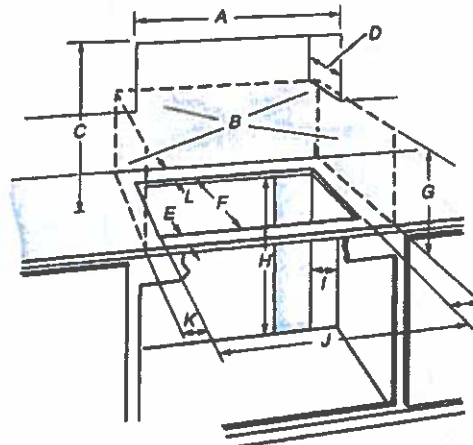
- A. Glass depth** - black and white models - 21¹/₄" (55.2 cm)
 Glass depth - Whirlpool and Maytag stainless steel models - 22¹/₄" (58.0 cm)
 Glass depth - KitchenAid stainless steel models - 21¹/₄" (54.9 cm)
- B. Glass width** - 24" (60.9 cm) models - 23¹/₄" (60.5 cm)
 Glass width - 30" black and white (76.2 cm) models - 30¹/₄" (78.4 cm)
 Glass width - Whirlpool and Maytag 30" stainless steel (76.2 cm) models - 30¹/₄" (78.4 cm)
 Glass width - KitchenAid 30" stainless steel (76.2 cm) models - 30¹/₄" (77.1 cm)
 Glass width - 36" black and white (91.4 cm) models - 36¹/₄" (92.3 cm)
 Glass width - Whirlpool 36" stainless steel (91.4 cm) models - 36¹/₄" (92.3 cm)
 Glass width - Maytag 36" stainless steel (91.4 cm) models - 36¹/₄" (91.5 cm)
 Glass width - KitchenAid 36" stainless steel (91.4 cm) models - 35¹/₄" (91.0 cm)
- C. Frame depth** - 20³/₄" (51.6 cm)
- D. Frame width** - 24" (60.9 cm) models - 21³/₄" (55.7 cm)
 Frame width - 30" (76.2 cm) models - 29" (73.7 cm)
 Frame width - 36" (91.4 cm) models - 34¹/₄" (87.5 cm)
- E. Cooktop height with bottom heat shield** - 3⁷/₈" (9.8 cm)
 Cooktop height lighted knobs - 4¹/₂" (12.55 cm)
- F. Cooktop height including conduit (located at rear of cooktop, right side)** - 5" (12.7 cm)
 Cooktop height lighted knobs, including conduit (located at rear of cooktop, right side) - 6¹/₄" (15.4 cm)



A. Location of Power Cord (length of power cord is 48" (121.9 cm), including the conduit)

Cabinet Dimensions

IMPORTANT: If installing a range hood or microwave hood combination above cooking surface, follow the range hood or microwave hood combination installation instructions for dimensional clearances above the cooktop surface.




- A. 24" (60.9 cm) on 24" models; 30" (76.2 cm) on 30" models; 36" (91.4 cm) on 36" models**
- B. Combustible area above countertop (shown by dashed box above)**
- C. 30" (76.2 cm) minimum clearance between top of cooktop platform and bottom of uncovered wood or metal cabinet (24" (61 cm) minimum clearance if bottom of wood or metal cabinet is covered by not less than 1/4" (0.6 cm) flame retardant millboard covered with not less than No. 28 MSG sheet steel, 0.015" (0.04 cm) stainless steel, or 0.024" (0.06 cm) aluminum or 0.020" (0.05 cm) copper)**
- D. 13" (33 cm) recommended upper cabinet depth**
- E. 2" (5.1 cm)**
- F. 20¹/₄" (52.0 cm) recommended cutout. Will fit in cutout from 20³/₄"-20⁷/₈" (51.8-52.2 cm).**
- G. 18" (45.7 cm) minimum clearance from upper cabinet to countertop within minimum horizontal clearances to cooktop**
- H. Junction box or outlet: 7" (17.8 cm) minimum from top of countertop**
- I. Junction box or outlet: 9" (23.0 cm) maximum from right side of cabinet**
- J. 29¹/₄" (74.9 cm) recommended cutout on 30" (76.2 cm) models. Will fit in cutout from 29¹/₂"-29³/₄" (73.8-76.1 cm) on 30" (76.2 cm) models.
 35¹/₄" (90.2 cm) recommended cutout on 36" (91.4 cm) models. Will fit in cutout from 34¹/₄"-35¹/₄" (87.8-90.3 cm) on 36" (91.4 cm) models.
 22¹/₄" (56.67 cm) recommended cutout on 24" (61.0 cm) models. Will fit in cutout from 22¹/₂"-22³/₄" (56.4 - 57.0 cm) on 24" (61.0 cm) models.**
- K. 2¹/₄" (6.35 cm) minimum distance to nearest left and right side combustible surface above cooktop**
- L. 1¹/₂" (3.81 cm) minimum clearance between back wall and countertop**

NOTES: After making the countertop cutout, some installations may require notching down the base cabinet side walls to clear the cooktop base. To avoid this modification, use a base cabinet with sidewalls wider than the cutout.

If cabinet has a drawer, a 5¹/₄" (14.0 cm) depth clearance from the top of the countertop to the top of the drawer (or other obstruction) in base cabinet is required.

Electrical Requirements

⚠ WARNING



Electrical Shock Hazard

Disconnect power before servicing.

Use 8 gauge copper wire.

Electrically ground cooktop.

Failure to follow these instructions can result in death, fire, or electrical shock.

If codes permit and a separate ground wire is used, it is recommended that a qualified electrical installer determine that the ground path and wire gauge are in accordance with local codes.

Check with a qualified electrical installer if you are not sure the cooktop is properly grounded.

Make sure that the electrical connection and wire size are adequate and in conformance with the National Electrical Code, ANSI/NFPA 70-latest edition or CSA Standards C22.1-94, Canadian Electrical Code, Part 1 and C22.2 No. 0-M91-latest edition, and all local codes and ordinances.

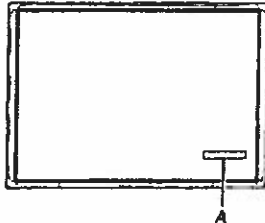
A copy of the above code standards can be obtained from:

National Fire Protection Association
1 Batterymarch Park
Quincy, MA 02169-7471
CSA International
8501 East Pleasant Valley Road
Cleveland, OH 44131-5575

Before You Make the Electrical Connection:

To properly install your cooktop, you must determine the type of electrical connection you will be using and follow the instructions provided for it here.

Use a 3-wire or 4-wire, single phase, 120/208 V or 120/240 V, 60 Hz, AC only. The model/serial number rating plate is located on the metal cabinet underneath the cooktop. See the following illustration.



A. Model/serial number plate

According to the NEC, NFPA 70 - 2017 Table 220.55 the demand load for products rated 8.75 kW or less is 80% of the rated value.

Products rated 8.75 to 12 kW have a demand load of 8 kW.

- The cooktop is rated for 120/208 V or 120/240 V. Some models have a neutral (white) wire.

For power requirements, refer to the following table:

Family Model Number	Electrical Ratings at 60 Hz	
	208 V-	240 V-
WCE55US0H	5.0 kW	6.7 kW
WCE55US4H	5.0 kW	6.7 kW
WCE55US6H	6.0 kW	8.0 kW
WCE77US0H	6.4 kW	8.5 kW
WCE77US6H	6.4 kW	8.5 kW
WCE97US0H	6.8 kW	9.1 kW
WCE97US6H	6.8 kW	9.1 kW
MEC8830H	6.5 kW	8.6 kW
MEC8836H	7.4 kW	9.9 kW
KCES550H	7.9 kW	10.5 kW
KCES556H	7.9 kW	10.5 kW
KCES950H	7.2 kW	9.6 kW
KCES956H	7.2 kW	9.6 kW
JEC3430H	6.4 kW	8.5 kW
JEC3536H	7.9 kW	10.5 kW
JEC4424H	5.5 kW	7.3 kW
JEC4430H	7.2 kW	9.6 kW
JEC4536H	7.2 kW	9.6 kW

- The cooktop should be connected directly to the junction box through flexible, armored or nonmetallic sheathed, copper cable. The flexible, armored cable extending from the fuse box or circuit breaker box should be connected directly to the junction box.
- Locate the junction box to allow as much slack as possible between the junction box and the cooktop so that the cooktop can be moved if servicing becomes necessary in the future.
- Do not cut the conduit. Use the length of conduit provided. A UL listed or CSA approved conduit connector must be provided at each end of the power supply cable (at the cooktop and at the junction box). A listed conduit connector is already provided at the cooktop.
- If the house has aluminum wiring follow the procedure below:
Connect the aluminum wiring using special connectors and/or tools designed and UL listed for joining copper to aluminum.

Follow the electrical connector manufacturer's recommended procedure. Aluminum/copper connection must conform with local codes and industry accepted wiring practices.

Simon Finn

April 2, 2024